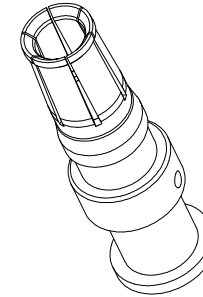
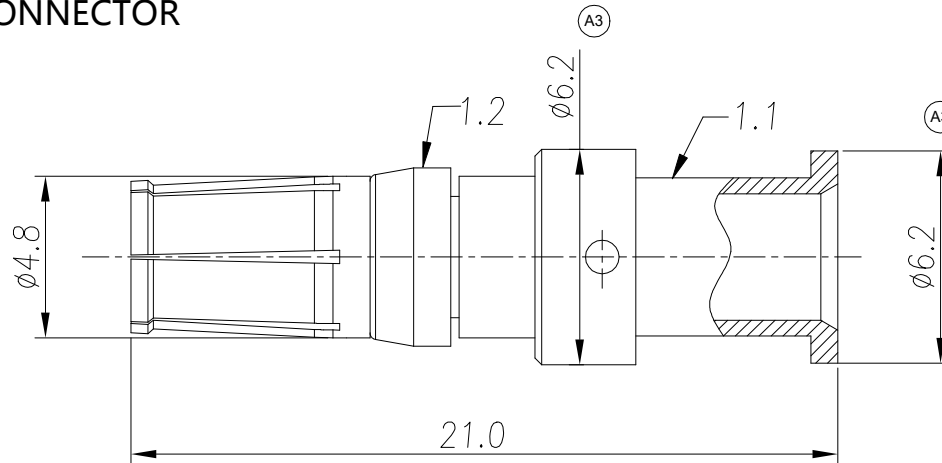


NOTE: (A4)

SUITABLE FOR RT360 SERIES 1403 LAYOUT WITHOUT "EC"
PART NUMBER CONNECTOR

REVISIONS					
REV	ECO	DESCRIPTION	DATE	BY	APPR
A1	-	RELEASED DRAWING	Jan-17-2018	Nick	TOMMY
A2	-	UPDATE DRAWING	Jan-19-2018	Nick	TOMMY
A3	-	UPDATE DRAWING	Aug-06-2019	Ronald	Tommy
A4	-	Add the note	Sep-14-21	Flan	Tommy



P/N	WIRE RANGE	CONTACT PLATING(MATING AREA)
MS10A23S-25	1.5~2.5mm ²	SILVER PLATING OVER NICKEL.
MS10A23F-25	1.5~2.5mm ²	GOLD FLASH PLATING OVER NICKEL.
MS10A23S-63	4~6mm ²	SILVER PLATING OVER NICKEL.
MS10A23F-63	4~6mm ²	GOLD FLASH PLATING OVER NICKEL.

NOTES: (UNLESS OTHERWISE SPECIFIED)

- MATERIAL:
 - CONTACT BODY: COPPER ALLOY.
 - POSITIONING CLIP: COPPER ALLOY.
- SPECIFICATIONS:
 - CURRENT RATING: 45A(MAX).
 - TERMINATION TYPE: CRIMPING.
 - WIRE RANGE: SEE TABLE
- SUITABLE CONTACT: MP10A23*-25 & MP10A23*-63.
- RoHS COMPLIANT.
- ALL DIMENSIONS ARE FOR REFERENCE USE ONLY.

QUANTITY	PART NUMBER	DESCRIPTION	ITEM
MATERIALS LIST			
UNLESS OTHERWISE SPECIFIED 1) All dimensions are in metric(mm). 2) Tolerances are as follows: 1 PL DEC ±0.30 2 PL DEC ±0.15 3 PL DEC ±0.08 Fractions ±1/64 Angles ±1° 3) Note reference =		SIGNATURES DRAWN: <u>Flan</u> Sep-14-21 CHECKED: <u>Orion</u> Sep-15-21 ENGINEER: APPROVAL: <u>Tommy</u> Sep-15-21 CUSTOMER:	Amphenol Sine Systems - www.amphenol-sine.com 44724 Morley Drive Clinton Township, MI 48036
MATERIAL SPECIFICATIONS:		EcoMate RM, SOCKET CONTACT MACHINE, 8# (Ø3.6mm)	
PROCESS SPECIFICATIONS:		THIS DRAWING IS SUPPLIED FOR INFORMATION ONLY. DESIGN FEATURES, SPECIFICATIONS AND PERFORMANCE DATA SHOWN HEREON ARE THE PROPERTY OF THE AMPHENOL CORPORATION. NO RIGHTS OF REPRODUCTION ARE IMPLIED. ALL DIMENSIONS ARE SUBJECT TO NORMAL MANUFACTURING VARIATIONS.	
NEXT ASSY:	SIZE	TYPE	REVISION
	B	C-	A4
	SCALE	NONE	DWG NO: MS10A23*-25/63
			SHEET 1 OF 1

TITLE: EcoMate RM, SOCKET CONTACT, MACHINE, 8# (Ø3.6mm)
 DWG NO: MS10A23*-25/63
 REV: A4
 SH: 1
 OF: 1