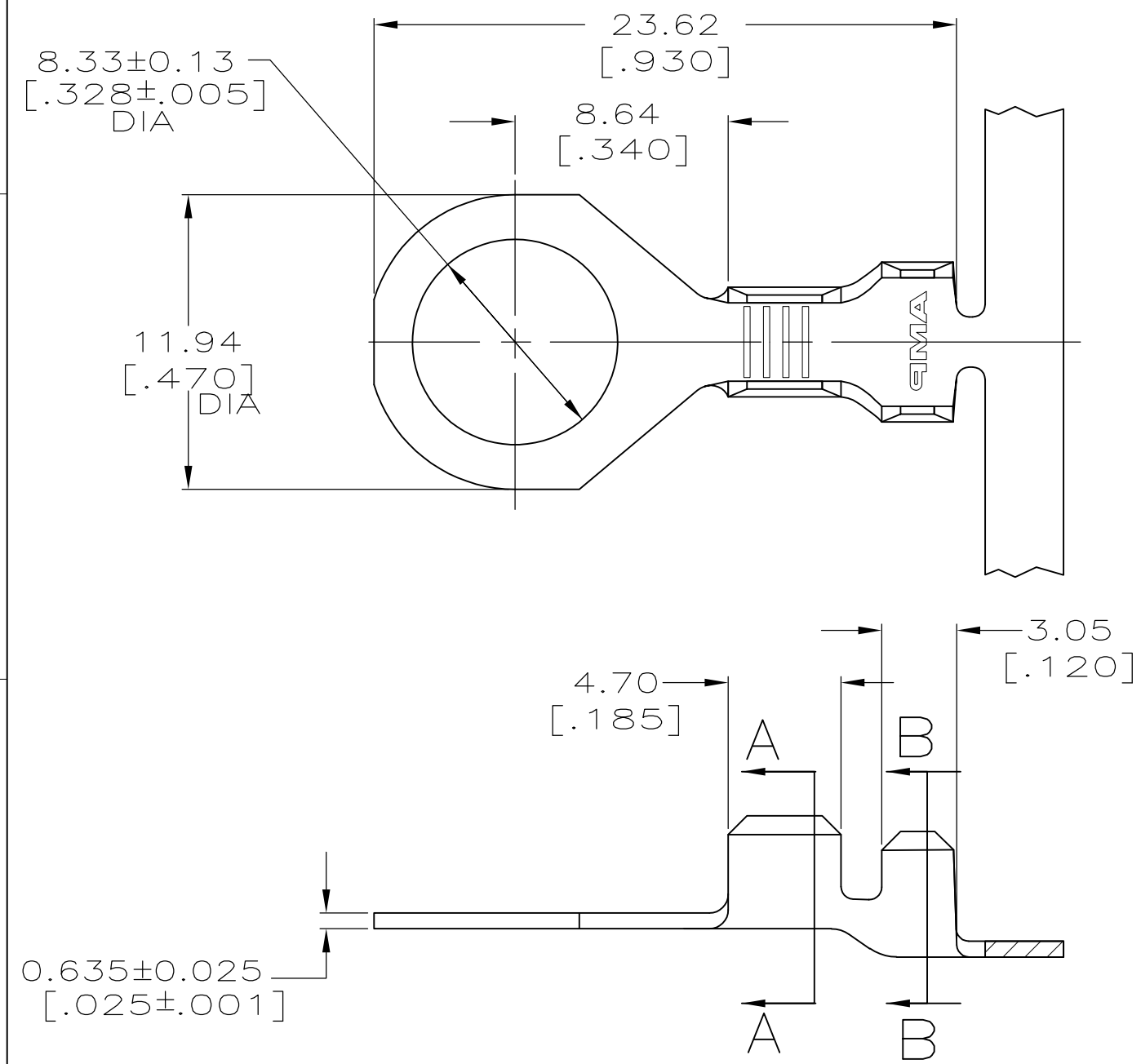
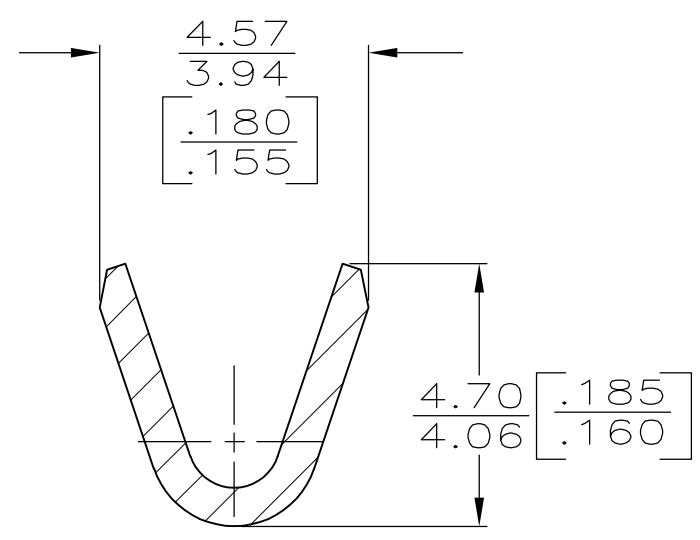


THIS DRAWING IS UNPUBLISHED. RELEASED FOR PUBLICATION
 © COPYRIGHT BY TYCO ELECTRONICS CORPORATION. ALL INTERNATIONAL RIGHTS RESERVED.

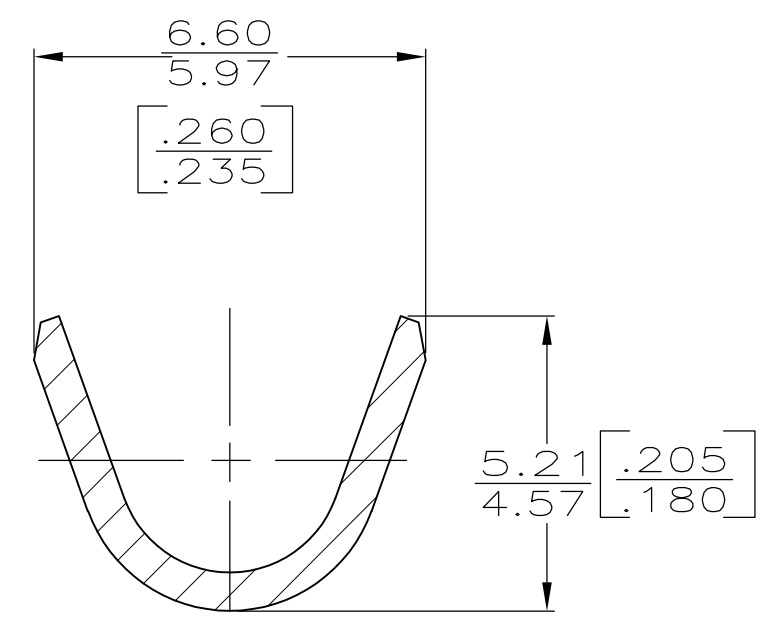
LOC	DIST	REVISIONS					
AF	50	P	LTR	DESCRIPTION	DATE	DWN	APVD
		D		REVISED PER ECR-10-006099	19JUL10	HMR	PD



- 1 CONTINUOUS STRIP ON REEL.
- 2 INSULATION RANGE: 2.16-3.05 [.085-.120] F CRIMP
3.05-3.56 [.120-.140] O CRIMP.



SECTION A-A
SCALE 8:1



SECTION B-B
SCALE 8:1

2	[18-14] AWG	485030-1
INSULATION RANGE	WIRE RANGE	PART NO

THIS DRAWING IS A CONTROLLED DOCUMENT.		DWN 2/17/94 PHILLIP M FORTNEY	Tyco Electronics Corporation Harrisburg, PA 17105-3608	
DIMENSIONS: mm [INCHES]		CHK 2/17/94 JEFF RUTH		
TOLERANCES UNLESS OTHERWISE SPECIFIED:		APVD 2/17/94 GARY YETTER	NAME RING	
0 PLC ± - 1 PLC ± - 2 PLC ± 0.25 [.010] 3 PLC ± - 4 PLC ± - ANGLES ± -		PRODUCT SPEC -	RESTRICTED TO -	
MATERIAL 082 BRASS		FINISH TIN	APPLICATION SPEC -	SIZE A3
		WEIGHT -	WARRANTY CUSTOMER DRAWING	CAGE CODE 00779
			DRAWING NO C-485030	SCALE 4:1
				SHEET 1 OF 1
				REV D