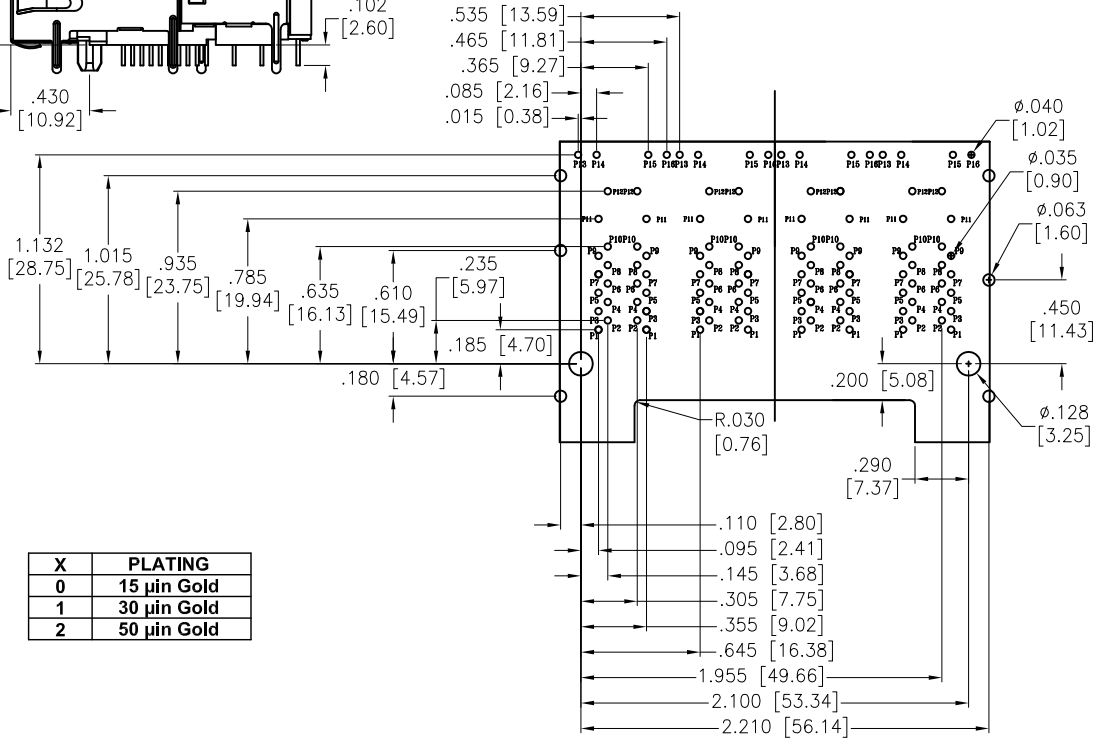
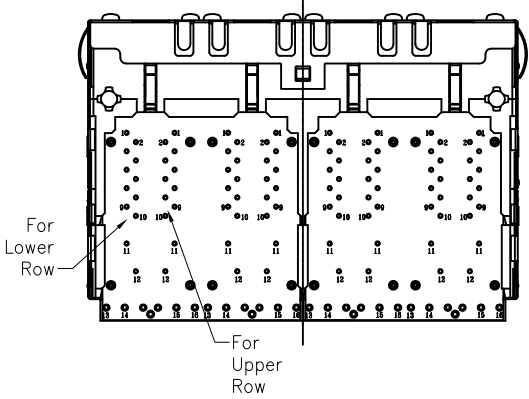
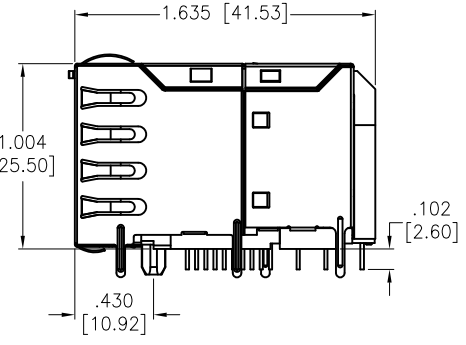
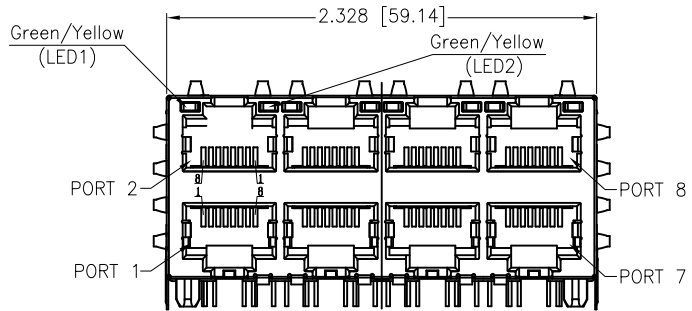


APPROVED: \_\_\_\_\_  
 DATE: \_\_\_\_\_ TITLE: \_\_\_\_\_

Rev	AWO #	Description	Date	Appr
-		RELEASED	7/13/16	



X	PLATING
0	15 µin Gold
1	30 µin Gold
2	50 µin Gold

**SPECIFICATIONS:**  
 Material:  
 Insulator: Thermoplastic, rated UL 94V-0  
 Insulator color: Black  
 Contacts: Phosphor Bronze  
 Shield: Brass, Nickel plated  
 Plating:  
 Round contact  
 Gold over Nickel underplate overall  
 Flat contact  
 Gold over Nickel underplate on contact area,  
 Tin over Nickel underplate on solder tails  
 (See chart for thickness)  
 Electrical:  
 Voltage rating: 125 VAC max  
 Insulation resistance: 500 Mohms min  
 Dielectric withstanding voltage: 2,250 VDC for 1 minute  
 Temperature Rating:  
 Operating temperature: 0°C to +70°C  
 Environmental:  
 Lead free, RoHS compliant.



RECOMMENDED PCB LAYOUT

UNLESS OTHERWISE SPECIFIED ALL DIMENSIONS ARE INCHES [MM] TOLERANCES: EXCEPT AS NOTED		
INCHES		HOLES
.X ± .10	Ø.X ± .10	
.XX ± .020	Ø.XX ± .015	
.XXX ± .015	Ø.XXX ± .010	
APPROVALS		DATE
DRAWN	HR	7/13/16
CHECKED	OC	7/13/16
APPROVED		

**ADAM TECH**  
 909 Rahway Avenue, Union, NJ 07083  
 Phone: 908-687-5000 Fax: 908-687-5710

TITLE: MODULAR JACK GANGED, 8 PORT, 8P8C  
 W/ LED1 GREEN/YELLOW LED2 GREEN/YELLOW

SIZE	PART NO.	REV.
X	MTJG-8-88JX1-V-FSG-PG-L16-M310C	-

REF: S00005C SCALE: NTS SHEET 1 OF 2

6 5 4 3 2 1

6 5 4 3 2 1

D

D

C

C

B

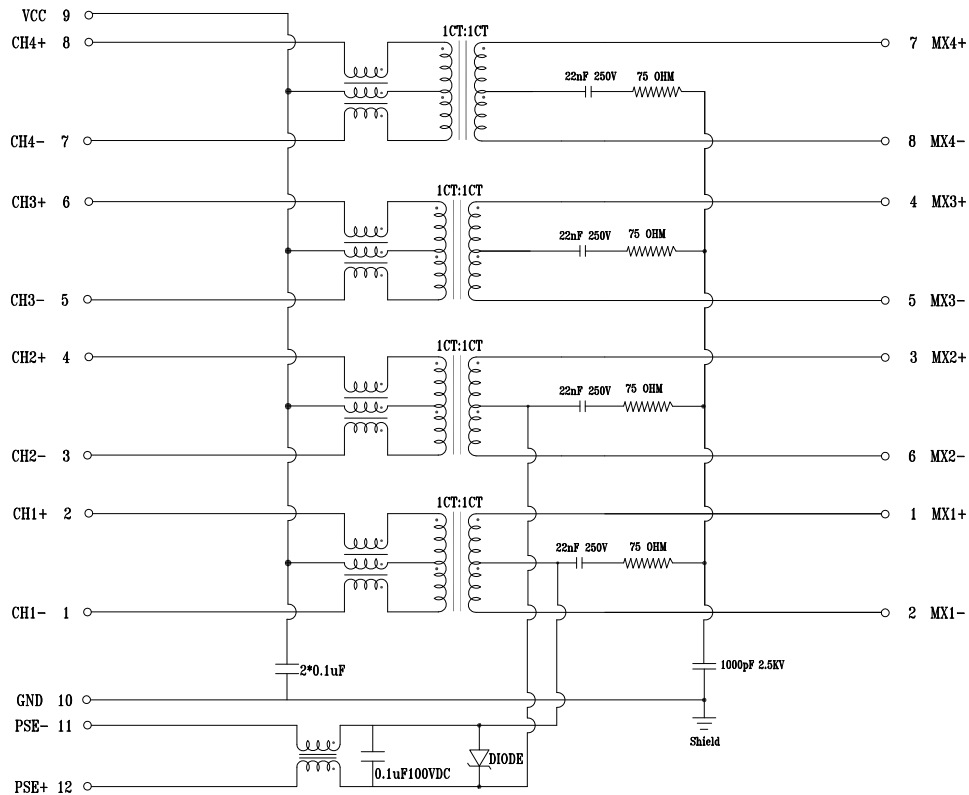
B

A

A

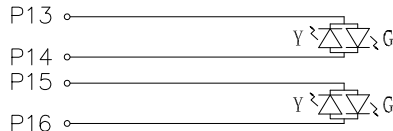
APPROVED: \_\_\_\_\_  
 DATE: \_\_\_\_\_ TITLE: \_\_\_\_\_

Rev	AWO #	Description	Date	Appr
SEE SHT 1 OF 2 FOR REVISION				



Electronical Specifications:

- Turn Ratio @100KHz: (P2~P1):(J1~J2) = 1:1±5%  
 (P4~P3):(J3~J6) = 1:1±5%  
 (P6~P5):(J4~J5) = 1:1±5%  
 (P8~P7):(J7~J8) = 1:1±5%
- Primary Inductance: 350uH MIN @ 100KHz,0.1V,8mA
- DC Resistance: 1.2 OHMS MAX
- Insertion Loss: 1-100MHz -1.0dB MAX  
 100-125MHz -1.2dB MAX
- Return Loss: 1-40MHz -16dB MIN  
 40-60MHz -12dB MIN  
 60-80MHz -10dB MIN  
 80-100MHz -8dB MIN
- Cross Talk: 1-100MHz -30dB MIN
- COMMON TO COMMON MODE ATTENUATION: 1-100MHz -30dB MIN
- Isolation: PHY Side to Line Side: 2250VDC
- DC CURRENT/VOLTAGE RATING-PSE PINS: 350mA @48V(CONTINUOUS)



Pin	Green	Yellow		Green	Yellow
P13	+	-	P15	+	-
P14	-	+	P16	-	+

UNLESS OTHERWISE SPECIFIED  
 ALL DIMENSIONS ARE INCHES [MM]  
 TOLERANCES: EXCEPT AS NOTED  
 INCHES HOLES

.X	± .10	∅X	±.10
.XX	± .020	∅.XX	±.015
.XXX	± .015	∅.XXX	±.010

**ADAM TECH**

909 Rahway Avenue, Union, NJ 07083  
 Phone: 908-687-5000 Fax: 908-687-5710

APPROVALS		DATE
DRAWN	HR	7/13/16
CHECKED	OC	7/13/16
APPROVED		

TITLE		
MODULAR JACK GANGED, 8 PORT, 8P8C W/ LED1 GREEN/YELLOW LED2 GREEN/YELLOW		
SIZE	PART NO.	REV.
X	MTJG-8-88JX1-V-FSG-PG-L16-M310C	-
REF:	S00005C	SCALE: NTS SHEET 2 OF 2