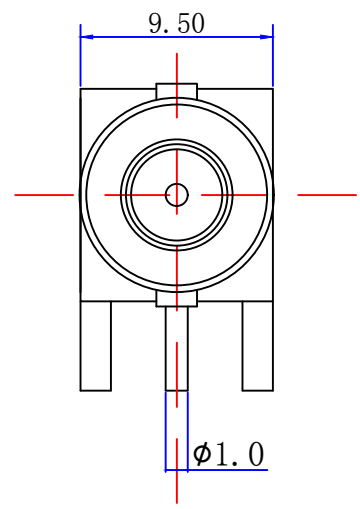
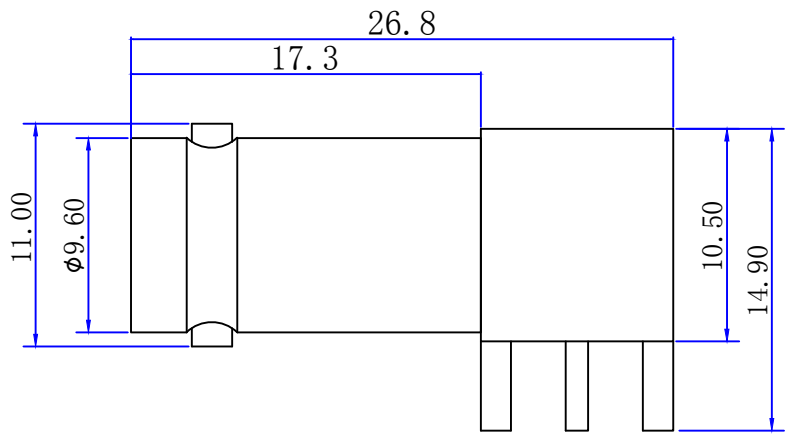


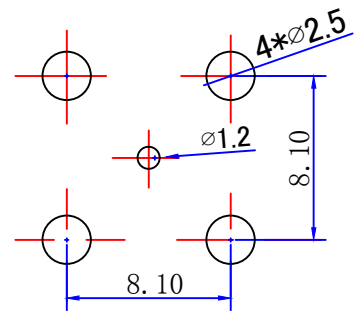
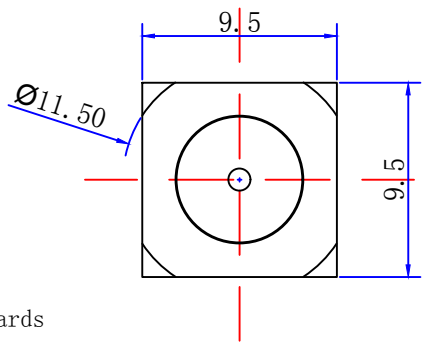


Product NO.		DOSIN-801-0070		
REV	DESCRIPTION	DWN	DATE	APPROVEN
A	First issue	JIM	2012/11/02	John kine
A	原PCB开孔尺寸 $\phi 1.5$ 尺寸变更为 $\phi 2.5$	CHEN	2021/5/03	John kine



Specifications

Impedance:50 Ohms
 Frequency Range:DC~3G
 VSWR:1.3MAX
 Working Voltage:500V rms @ sea level
 Insulation Resistance:5000 Ohms min
 Temperature Range:-55°C TO +155°C
 Relative Temperature:≤95%(40° C±2° C)
 Drawings products are in line with ROHS standards



NOTE:	Tolerance	0-6 ±0.20 6-30 ±0.30 30-120 ±0.5 Angular ±2°
DRAWN CHEN	2021/5/ 03	View
CHECKED		UNIT
APPROVALS John Kine	03/05/2021	SCALE

Dosin Industrial(H.K)Co.Ltd 东莞市德索五金电子制品有限公司 Dosin Hardware Electronics Co.,Ltd		E-mail:dosin2005@163.com dosin2005@dosing-china.com Web:http://www.dosin.com TEL:(0086)769-81153906 FAX:(0086)769-81875836	
Name: BNC CONNECTOR DNN			
SIZE A	Product NO. DOSIN-801-0070	REV B	
DateTime 2021/5/03	CAD FILE D/company drawings/BD	SHEET: 1 OF 1	

NO	DESCRIPTION	MATERIAL	FINISHED	QTY
C	INSULATOR	POM	NONE	1
B	CONTACT PLATING	BRASS	GOLD	1
A	BODY	BRASS	NICKEL	1