

Technical specification :

Rated voltage: 30 V
IEC 61076-2-101

Current rating: 3 A at 40°C
IEC 61076-2-101

Insulation resistance: >=100 MΩ
IEC 60512

Pollution degree: 3/2
IEC 60664-1

Degree of protection: IP 67, in mated condition
IEC 60529

Temperature range: -30°C ... +80°C

Mating cycles: >=100
IEC 60512-9a

Materials:

Contact: CuZn

Contact plating: Nickel, gold plated

Contact carrier: PA, UL 94, similar RAL 6018

Coupling screw: GD-Zn, nickel plated

Moulding body: TPU, UL 94, grey

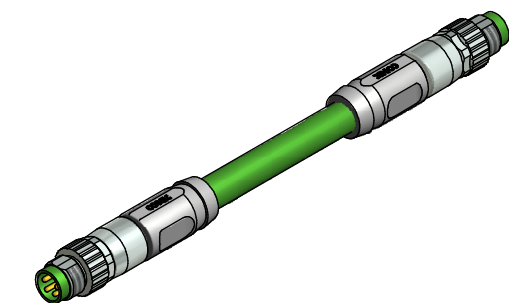
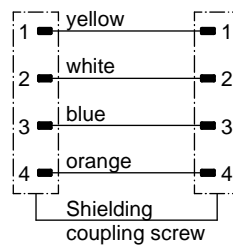
Shielding bush : CuZn, nickel plated

Installation specification:

Recommended torque: 0,4 Nm

Conec installation tool: Insert across flats 9: 36-000210

Contact assignment 4pos:



D see data sheet cable

Part no:	Description:	Length L:	Cable:
42-12258	SAL - 8S - RS4.78 - RS4.78 - 1 / G6 / 034	1m	TPU, UL, green, 4xAWG22, Cable: 781-G63400
42-12259	SAL - 8S - RS4.78 - RS4.78 - 2 / G6 / 034	2m	
42-12260	SAL - 8S - RS4.78 - RS4.78 - 5 / G6 / 034	5m	
42-12261	SAL - 8S - RS4.78 - RS4.78 - 10 / G6 / 034	10m	
42-xxxxx	SAL - 8S - RS4.78 - RS4.78 - ... / G6 / 034	x	

DO NOT ALTER CAD DRAWING BY HAND Directive 2011/65/EU RoHS compliant	dim. in mm		title: Connecting cable M8x1, 360°-shielding, male connector axial - male connector axial	
	tolerance of cable:	L ≤ 4m: L + 40mm L > 4m: L + 1%		date: 14.10.13 name: Christen
	general tolerance:	0 ± 0,50mm 0,0 ± 0,25mm 0,00 ± 0,10mm	appd.: 14.10.13 name: Fischer	dwg no: 42K1A581
	THIS DRAWING MAY NOT BE COPIED OR REPRODUCED IN ANY WAY, AND MAY NOT BE PASSED ON TO A THIRD PARTY WITHOUT WRITTEN PERMISSION. OWNERSHIP AND COPYRIGHT OF CONEC GmbH		CONEC [®] part no:	