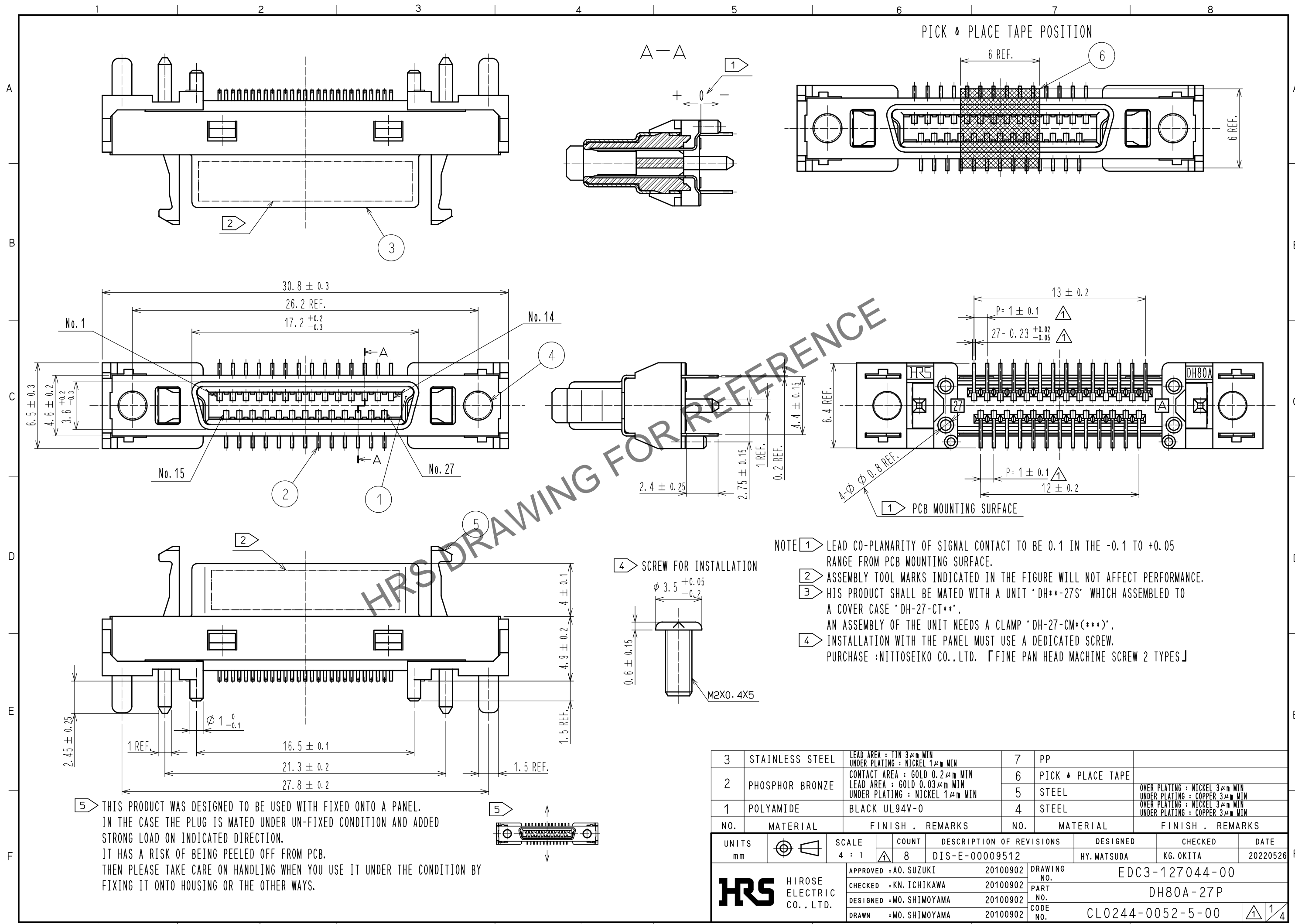


Jul.1.2024 Copyright 2024 HIROSE ELECTRIC CO., LTD. All Rights Reserved.
 In case of consideration for using Automotive equipment / device which demand high reliability, kindly contact our sales window correspondents.



- NOTE
- LEAD CO-PLANARITY OF SIGNAL CONTACT TO BE 0.1 IN THE -0.1 TO +0.05 RANGE FROM PCB MOUNTING SURFACE.
 - ASSEMBLY TOOL MARKS INDICATED IN THE FIGURE WILL NOT AFFECT PERFORMANCE.
 - HIS PRODUCT SHALL BE MATED WITH A UNIT 'DH**+27S' WHICH ASSEMBLED TO A COVER CASE 'DH-27-CT**'. AN ASSEMBLY OF THE UNIT NEEDS A CLAMP 'DH-27-CM+(***)'.
 - INSTALLATION WITH THE PANEL MUST USE A DEDICATED SCREW. PURCHASE :NITTOSEIKO CO.,LTD. 「FINE PAN HEAD MACHINE SCREW 2 TYPES」

5 THIS PRODUCT WAS DESIGNED TO BE USED WITH FIXED ONTO A PANEL. IN THE CASE THE PLUG IS MATED UNDER UN-FIXED CONDITION AND ADDED STRONG LOAD ON INDICATED DIRECTION, IT HAS A RISK OF BEING PEELED OFF FROM PCB. THEN PLEASE TAKE CARE ON HANDLING WHEN YOU USE IT UNDER THE CONDITION BY FIXING IT ONTO HOUSING OR THE OTHER WAYS.

NO.	MATERIAL	FINISH . REMARKS	NO.	MATERIAL	FINISH . REMARKS
3	STAINLESS STEEL	LEAD AREA : TIN 3μm MIN UNDER PLATING : NICKEL 1μm MIN	7	PP	
2	PHOSPHOR BRONZE	CONTACT AREA : GOLD 0.2μm MIN LEAD AREA : GOLD 0.03μm MIN UNDER PLATING : NICKEL 1μm MIN	6	PICK & PLACE TAPE	
1	POLYAMIDE	BLACK UL94V-0	5	STEEL	OVER PLATING : NICKEL 3μm MIN UNDER PLATING : COPPER 3μm MIN
			4	STEEL	OVER PLATING : NICKEL 3μm MIN UNDER PLATING : COPPER 3μm MIN

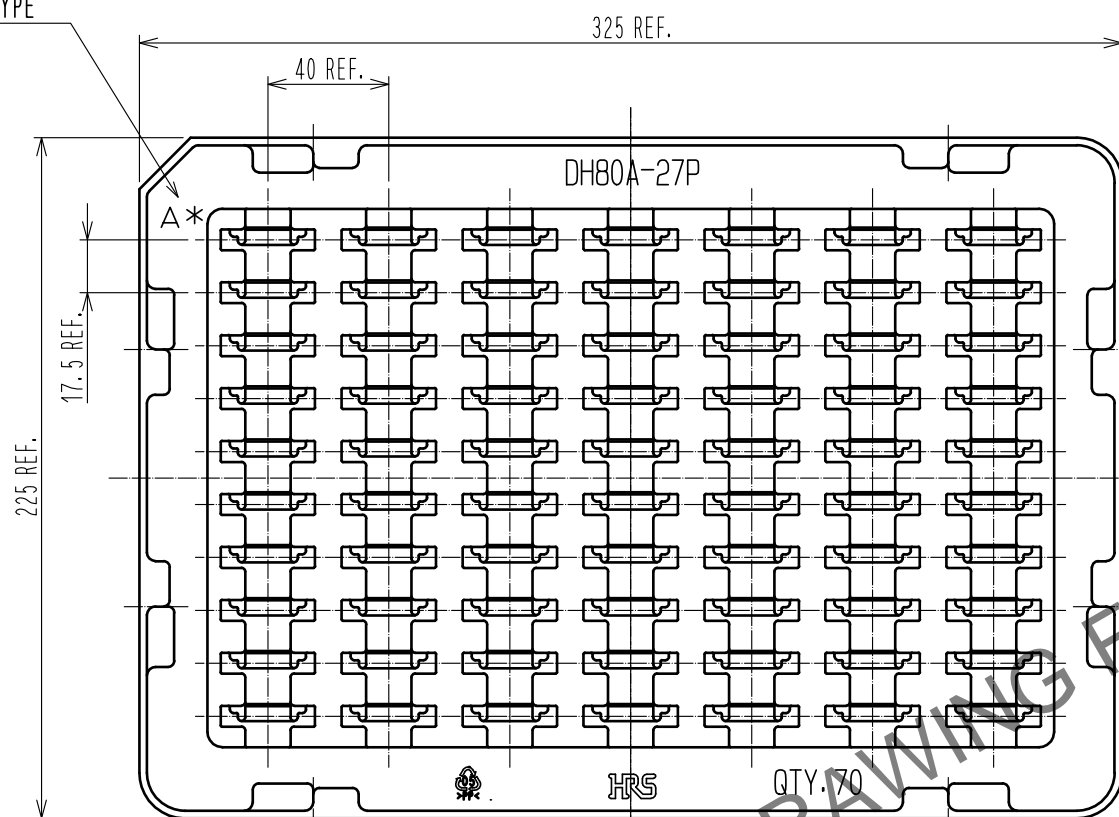
UNITS	SCALE	COUNT	DESCRIPTION OF REVISIONS	DESIGNED	CHECKED	DATE
mm	4 : 1	8	DIS-E-00009512	HY. MATSUDA	KG. OKITA	20220526

APPROVED	DATE	DRAWING NO.
A0. SUZUKI	20100902	EDC3-127044-00
CHECKED : KN. ICHIKAWA	20100902	PART NO.
DESIGNED : MO. SHIMOYAMA	20100902	DH80A-27P
DRAWN : MO. SHIMOYAMA	20100902	CODE NO.
		CL0244-0052-5-00

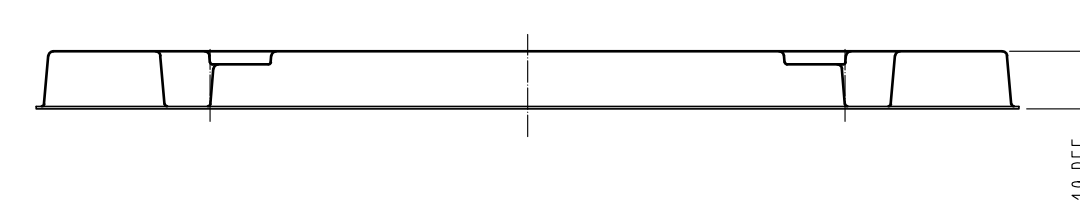
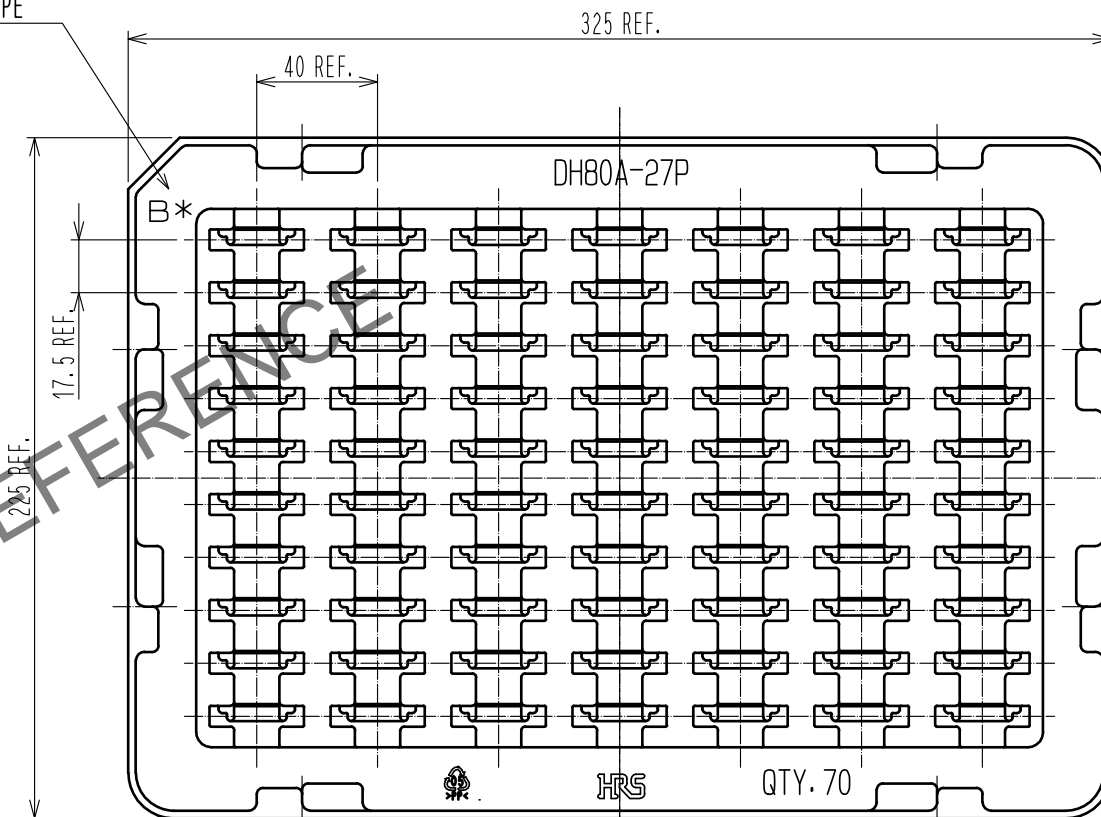
Jul.1.2024 Copyright 2024 HIROSE ELECTRIC CO., LTD. All Rights Reserved.
In case of consideration for using Automotive equipment / device which demand high reliability, kindly contact our sales window correspondents.

DRAWING FOR PACKING(FREE)

TRAY KEY TYPE
(A TYPE)



TRAY KEY TYPE
(B TYPE)

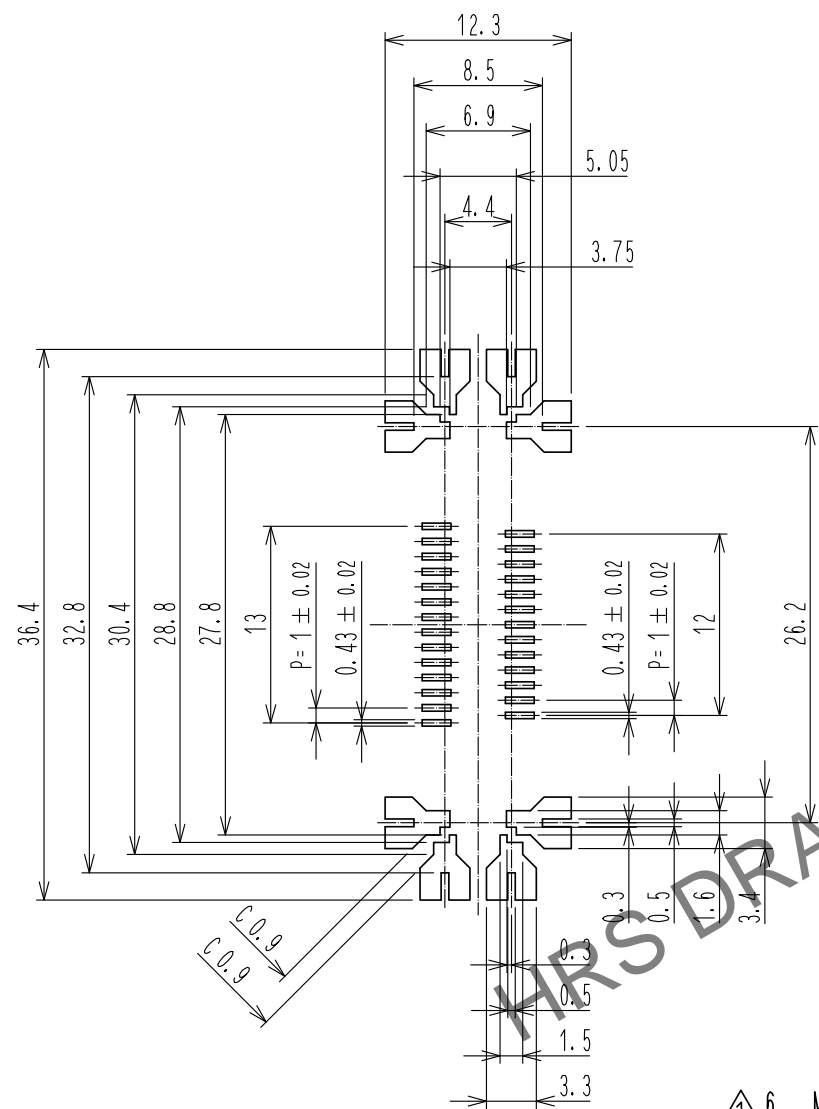


※TRAYS, A TYPE AND B TYPE, ARE PILED UP ALTERNATELY.

HRS	DRAWING NO.	EDC3-127044-00
	PART NO.	DH80A-27P
	CODE NO.	CL0244-0052-5-00
		3/4

Jul.1.2024 Copyright 2024 HIROSE ELECTRIC CO., LTD. All Rights Reserved.
In case of consideration for using Automotive equipment / device which demand high reliability, kindly contact our sales window correspondents.

△ REFERENCE METAL MASK LAYOUT(2:1)
(t=0.15)



GENERAL TOLERANCE IS ± 0.05

- △ 6. Metal mask dimensions of the drawings described, are reference dimensions for 0.15 mm thickness metal mask.
Change the metal mask dimensions by thickness of the metal mask, thickness of PCB, component of solder paste and mounting conditions.
Change the metal mask dimensions in case of mounting DH***P in parallel.
Change the metal mask dimensions, if there are other mounting parts or implementation pattern around the portion of mounting position of DH***P.

HRS	DRAWING NO.	EDC3-127044-00
	PART NO.	DH80A-27P
	CODE NO.	CL0244-0052-5-00

△ 4/4