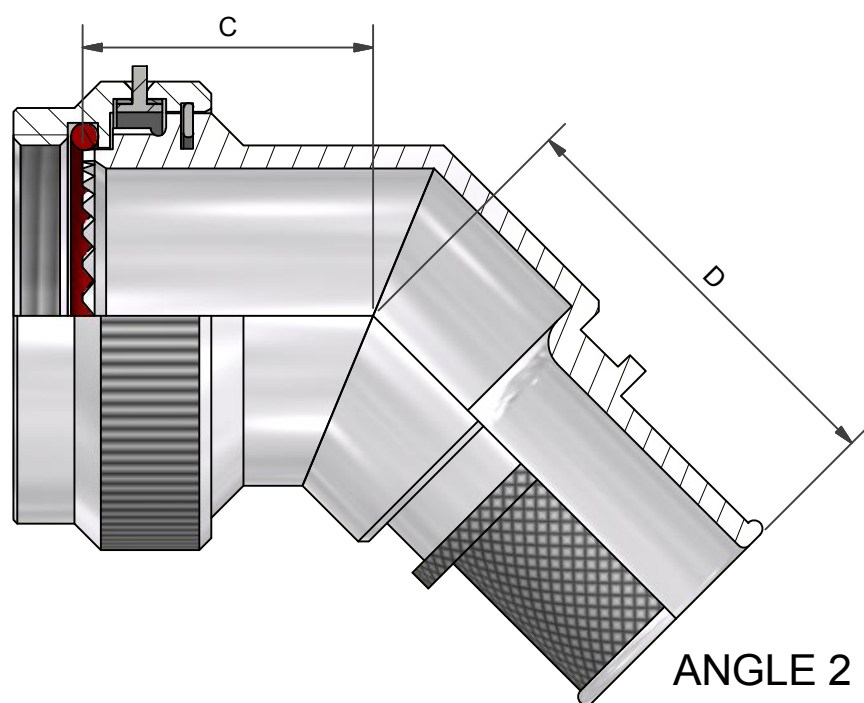
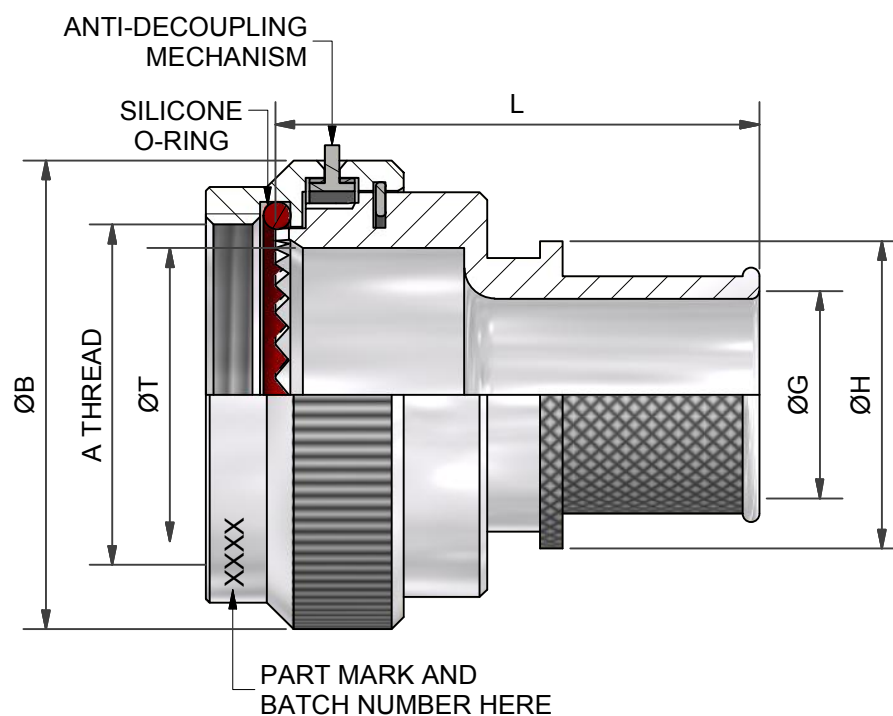
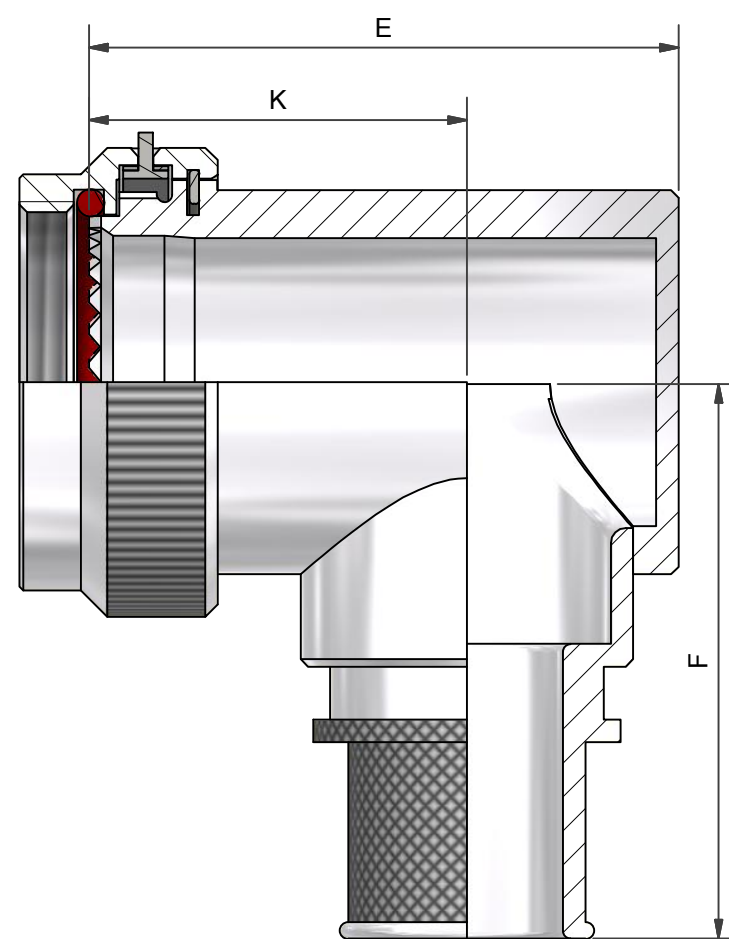


ANGLE 1



ANGLE 2



ANGLE 3

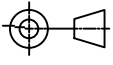


DRAWN		DATE		 3RD ANGLE PROJECTION NOT TO SCALE	PART NUMBER:			BTF SERIES II (AD)			 Polamco 		
K.WINCZURA		12/06/2012			TITLE:								
DESIGN APPROVAL		DATE		UNLESS OTHERWISE SPECIFIED ALL DIMENSIONS IN MILLIMETRES GENERAL TOL LINEAR +/-0,25MM ANGULAR +/- 1°			ANTI-DECOUPLING BANDING BACKSHELL						
K.SHEPPARD		21/09/2012											
DOC TYPE	Customer Drawing			MATERIAL SEE PART NUMBER BREAKDOWN			ASSY USED ON: MIL-DTL-38999 SERIES II			RESTRICTED TO:			
ISSUE/REV		DCR		FINISH SEE PART NUMBER BREAKDOWN			THIS DRAWING IS COPYRIGHT AND THE PROPERTY OF POLAMCO LTD IT MUST NOT BE COPIED, USED FOR MANUFACTURE OR OTHERWISE DISCLOSED WITHOUT PRIOR WRITTEN CONSENT OF THE COMPANY.			POLAMCO LTD, WESTON LOCK, LOWER BRISTOL ROAD BATH BA2 1EP		SHT 1	DRAWING NO: P10368
NCAGE CODE U5792		WEIGHT N/A											

TABLE 1

SHELL SIZE	A THREAD	ØB MAX	ØT MIN	C ± 0,5	D ± 0,5	E MAX	F MAX	K ± 0,5	L ±0,25
08	7/16 - 28UNEF	18,0	6,7	16,4	25,7	26,0	30,5	18,5	32,0
10	9/16 - 24UNEF	21,0	10,2	17,2	26,9	29,5	32,2	20,5	32,0
12	11/16 - 24UNEF	25,0	13,1	17,6	27,3	32,5	33,7	21,5	32,0
14	13/16 - 20UNEF	28,0	16,2	18,5	28,2	35,5	35,2	23,5	32,0
16	15/16 - 20UNEF	31,0	19,3	19,2	29,0	39,0	36,9	25,0	32,0
18	1 1/16 - 18UNEF	34,0	22,3	19,6	29,3	43,0	38,5	26,5	32,0
20	1 3/16 - 18UNEF	37,0	25,3	20,4	30,1	45,5	41,1	28,5	32,0
22	1 5/16 - 18UNEF	40,0	28,4	20,8	30,5	48,5	41,6	29,5	32,0
24	1 7/16 - 18UNEF	43,5	31,5	21,7	31,4	51,5	43,1	31,5	32,0

TABLE 2

ENTRY SIZE	ØG MIN	ØH MAX
03	4,7	13,9
04	6,3	13,9
05	7,9	15,5
06	9,5	17,2
07	11,1	18,7
08	12,7	20,3
09	14,2	21,9
10	15,8	23,5
11	17,4	25,1
12	19,0	26,7
13	20,6	28,3
14	22,2	29,9
15	23,8	31,5
16	25,4	33,1
17	27,0	34,7
18	28,6	36,3
19	30,2	37,9
20	31,8	39,5
21	33,3	41,1
22	35,0	42,7
23	36,5	44,3
24	38,1	45,9

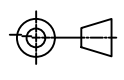


TABLE 3

CODE	FINISH
C	ELECTROLESS NICKEL
B	CADMIUM OLIVE DRAB OVER ELECTROLESS NICKEL
ZB	ZINC COBALT OLIVE DRAB OVER ELECTROLESS NICKEL
ZN	ZINC NICKEL BLACK PASSIVATE OVER ELECTROLESS NICKEL

SEE SS076 FOR FULL RANGE OF FINISH OPTIONS

BTF1-16-08-1-B-AD-L50

SERIES _____
 CONNECTOR INTERFACE _____
 ANGLE _____
 SHELL SIZE (TABLE 1) _____
 ENTRY SIZE (TABLE 2) _____
 MATERIAL _____
 ALUMINIUM ALLOY _____
 FINISH (TABLE 3) _____
 ANTI-DECOUPLING _____
 OPTIONAL LENGTH (STRAIGHT ONLY) _____
 IN MM - OMIT FOR STANDARD

DRAWN		DATE		 3RD ANGLE PROJECTION NOT TO SCALE	PART NUMBER: BTF SERIES II (AD)				 Polamco 
K.WINCZURA		12/06/2012			TITLE: ANTI-DECOUPLING BANDING BACKSHELL				
DESIGN APPROVAL		DATE		UNLESS OTHERWISE SPECIFIED ALL DIMENSIONS IN MILLIMETRES GENERAL TOL LINEAR +/-0,25MM ANGULAR +/- 1°	ASSY USED ON: MIL-DTL-38999 SERIES II		RESTRICTED TO:		
K.SHEPPARD		21/09/2012			THIS DRAWING IS COPYRIGHT AND THE PROPERTY OF POLAMCO LTD IT MUST NOT BE COPIED, USED FOR MANUFACTURE OR OTHERWISE DISCLOSED WITHOUT PRIOR WRITTEN CONSENT OF THE COMPANY.		POLAMCO LTD, WESTON LOCK, LOWER BRISTOL ROAD BATH BA2 1EP		
DOC TYPE	Customer Drawing			MATERIAL SEE PART NUMBER BREAKDOWN					
ISSUE/REV	AA	DCR	---	FINISH SEE PART NUMBER BREAKDOWN					
NCAGE CODE U5792		WEIGHT N/A							