

Key Features

- 16dB pre-amplifier
- Internally mounted
- UFL connector
- Ground plane independent
- RoHS compliant

General Description

Siretta GPS patch antennas combine an excellent RF performance in a small form factor making them ideal for industrial and consumer equipment when combined with today's GPS modules.

Fitted with the latest generation pre-amplifier, the Echo 16 has been tuned to achieve 16dB gain for lower gain applications compared with the more standard 25dB+ gain. The gain is achieved from a current consumption between 10-14mA at 3.3V.

The Echo 16 comes with an RF shield, making it an ideal product for embedded applications and it's built in ground plane makes it a simple to design in unit needing no additional circuitry.

Supplied with 40mm co-axial cable and a UFL connector, it is an ideal antenna solution for many of today's GPS receivers.

Additional Considerations

- Improves signal to noise ratio for mobile applications
- Small size and self contained antenna ideal for space saving environments
- Offers compatibility with many GPS engines
- Comes with RF shielding and mounted on ground plane
- Meets all EU compliance criteria for electronic goods

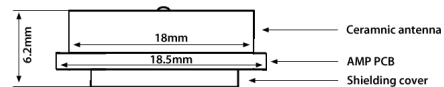
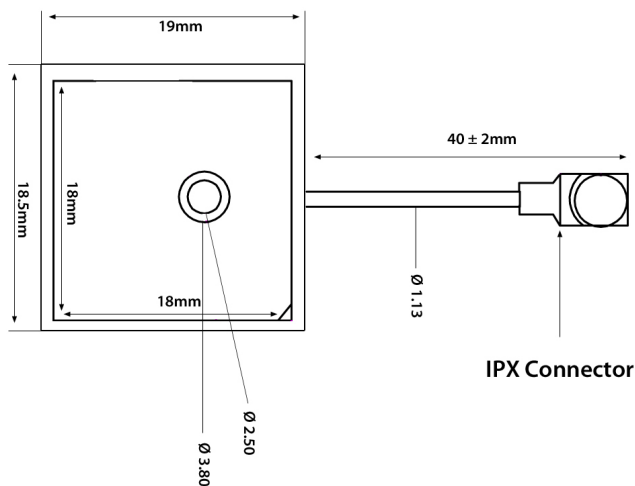
Rev 1.2

Key Specifications - Electrical

Temperature range:	-40 to +85°C
Impedance:	50 ohm
VSWR:	<1.5:1
Voltage and supply current:	3 - 5VDC, 10-14mA @ 3.3V
Operating frequency:	1575.42MHz (\pm 1.02MHz)
Polarization:	RHCP

Key Specifications - Mechanical

Dimensions:	18.5mm x 19mm x 6.1mm (without cable)
Cable:	0.81mm coax
Connector:	UFL
Mounting method:	Internally mounted



Ordering Details

Part Number	Description
ECHO16/0.04M/IPEX/S/S/17	GPS Ceramic Patch Active Antenna, 40mm Cable, IPEX Connector