

3-794037-1 ✓ ACTIVE

AMP-IN

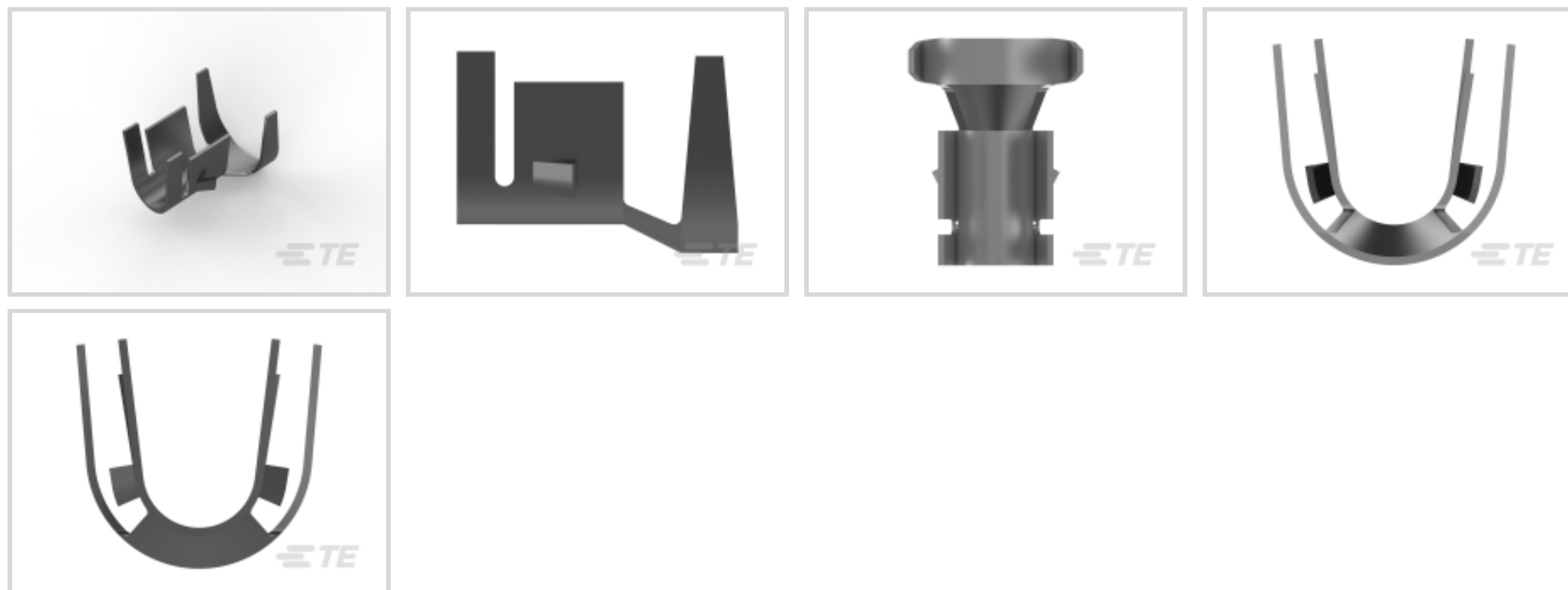
TE Internal #: 3-794037-1

PCB Pin, PCB Hole Diameter 3.81 mm [.15 in], 12 – 10 AWG Wire Size, 3 – 5.5 mm<sup>2</sup> Wire Size, Through Hole - Solder, Tin Plating, Reel, PCB Terminals

[View on TE.com >](#)



Terminals & Splices > PCB Terminals



PCB Terminal Type: **PCB Pin**

PCB Thickness (Recommended): **1.57 mm [.062 in]**

PCB Hole Diameter: **3.81 mm [.15 in]**

Profile Height from PCB: **3.43 mm [.137 in]**

Compatible Insulation Diameter (Max): **5.08 mm [.2 in]**

### Features

#### Contact Features

Terminal Plating Finish	Bright
Contact Mating Area Plating Material Thickness	5.08 μm[200 μin]
PCB Terminal Type	PCB Pin
Terminal Plating Material	Tin
Terminal Size	Miniature
Terminal Orientation	Straight

#### Termination Features

Termination Method to PCB	Through Hole - Solder
Product Terminates To	Wire & Cable

#### Mechanical Attachment

Wire Insulation Support	With
-------------------------	------

#### Dimensions

Extension Below Board	3.18 mm[.125 in]
PCB Thickness (Recommended)	1.57 mm[.062 in]



PCB Hole Diameter	3.81 mm[.15 in]
Profile Height from PCB	3.43 mm[.137 in]
Compatible Insulation Diameter (Max)	5.08 mm[.2 in]
Compatible Insulation Diameter Range	5.08 mm[.2 in]
Wire Size	3 – 5.5 mm <sup>2</sup>

### Usage Conditions

Insulation Option	Uninsulated
Operating Temperature Range	-40 – 105 °C[-40 – 221 °F]

### Packaging Features

Packaging Quantity	3000
Packaging Method	Reel

### Product Compliance

[For compliance documentation, visit the product page on TE.com>](#)

EU RoHS Directive 2011/65/EU	Compliant
EU ELV Directive 2000/53/EC	Compliant
China RoHS 2 Directive MIIT Order No 32, 2016	No Restricted Materials Above Threshold
EU REACH Regulation (EC) No. 1907/2006	Current ECHA Candidate List: JUNE 2024 (241) Candidate List Declared Against: JUNE 2024 (241) Does not contain REACH SVHC
Halogen Content	Low Halogen - Br, Cl, F, I < 900 ppm per homogenous material. Also BFR/CFR/PVC Free
Solder Process Capability	Wave solder capable to 265°C

#### Product Compliance Disclaimer

This information is provided based on reasonable inquiry of our suppliers and represents our current actual knowledge based on the information they provided. This information is subject to change. The part numbers that TE has identified as EU RoHS compliant have a maximum concentration of 0.1% by weight in homogenous materials for lead, hexavalent chromium, mercury, PBB, PBDE, DBP, BBP, DEHP, DIBP, and 0.01% for cadmium, or qualify for an exemption to these limits as defined in the Annexes of Directive 2011/65/EU (RoHS2). Finished electrical and electronic equipment products will be CE marked as required by Directive 2011/65/EU. Components may not be CE marked. Additionally, the part numbers that TE has identified as EU ELV compliant have a maximum concentration of 0.1% by weight in homogenous materials for lead, hexavalent chromium, and mercury, and 0.01% for cadmium, or qualify for an exemption to these limits as defined in the Annexes of Directive 2000/53/EC (ELV). Regarding the REACH Regulation, the information TE provides on SVHC in articles for this part number is based on the latest European Chemicals Agency (ECHA) 'Guidance on requirements for substances in articles' posted at this URL: <https://echa.europa.eu/guidance-documents/guidance-on-reach>

## Compatible Parts



TE Part # 2151337-1  
OCEAN-2.0-APPLICATOR-S-110O110O210O-RSM



**KIT**  
REPRESENTATION ONLY

TE Part # 7-2151337-7  
OCEAN\_2.0\_SPARE\_PART\_KIT-110F110O210O



TE Part # 2151337-2  
OCEAN-2.0-APPLICATOR-S-110O110O210O-RSA



TE Part # 2151338-1  
OCEAN-2.0-APPLICATOR-S-140F140O210O-RSM



TE Part # 2151338-2  
OCEAN-2.0-APPLICATOR-S-140F140O210O-RSA



TE Part # 2305570-1  
Strip Terminal Cutter-Side Feed-No Crimp



TE Part # 4151041-1  
OCEAN-2.0-APPLICATOR-S-140O210O-RSM



TE Part # 4151041-2  
OCEAN-2.0-APPLICATOR-S-140O210O-RSA



**KIT**  
REPRESENTATION ONLY

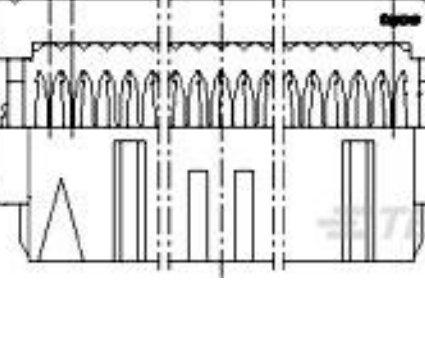
TE Part # 7-2151338-7  
OCEAN\_2.0\_SPARE\_PART\_KIT-140F140O210O



**KIT**  
REPRESENTATION ONLY

TE Part # 7-4151041-7  
OCEAN\_2.0\_SPARE\_PART\_KIT-140O210O

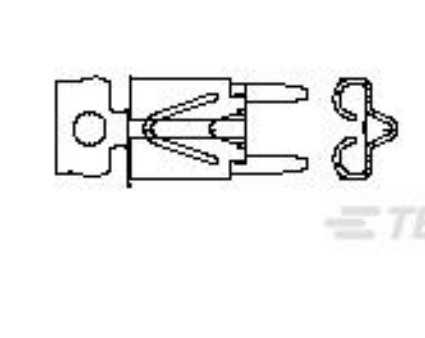
## Customers Also Bought



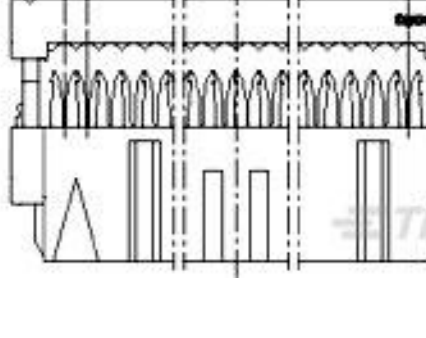
TE Part #1-215919-0  
AMP-LATCH 15.2 HIGH TAPE



TE Part #5-530519-2  
HIGH CURRENT CONT-STRIP




TE Part #63994-1  
FASTON 205/250 PCB MOUNTED TPBR



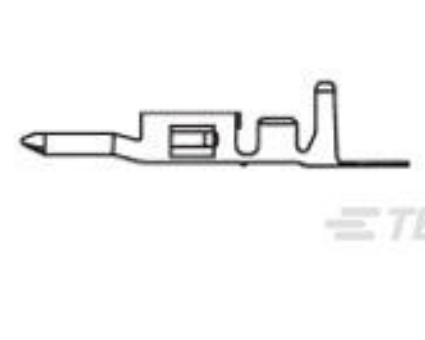
TE Part #2-215919-0  
AMP-LATCH 15.2 HIGH TAPE



TE Part #1376392-2  
5MM POWER KEY 4P PLUG 2ROW NUT



TE Part #179464-2  
DBL LOCK CAP F/H 3P RED



TE Part #794957-2  
VAL-U-LOK PIN BR AU 22-26AWG



TE Part #827039-2  
CIC.SOCKET ASSY.



## Documents

### Product Drawings

#### MINI AMP-IN PTP PHBZ 10AWG

English

### CAD Files

#### 3D PDF

English

#### Customer View Model

[ENG\\_CVM\\_3-794037-1\\_C1.3d\\_igs.zip](#)

English

#### Customer View Model

[ENG\\_CVM\\_3-794037-1\\_C1.3d\\_stp.zip](#)

English

#### Customer View Model

[ENG\\_CVM\\_3-794037-1\\_C1.2d\\_dxf.zip](#)

English

#### 3D PDF

3D

#### Customer View Model

[ENG\\_CVM\\_CVM\\_3-794037-1\\_D.2d\\_dxf.zip](#)

English

#### Customer View Model

[ENG\\_CVM\\_CVM\\_3-794037-1\\_D.3d\\_igs.zip](#)

English

#### Customer View Model

[ENG\\_CVM\\_CVM\\_3-794037-1\\_D.3d\\_stp.zip](#)

English

By downloading the CAD file I accept and agree to the [Terms and Conditions](#) of use.

### Datasheets & Catalog Pages

#### PRINTED CIRCUIT BOARD TERMINALS AND DISCONNECTS

English

### Product Specifications

#### Application Specification

English

3-794037-1

PCB Pin, PCB Hole Diameter 3.81 mm [.15 in], 12 – 10 AWG Wire Size, 3 – 5.5 mm<sup>2</sup>  
Wire Size, Through Hole - Solder, Tin Plating, Reel, PCB Terminals

