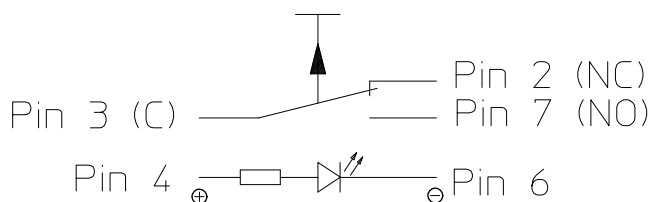


Circuit Diagram



## Technical Data

### Construction

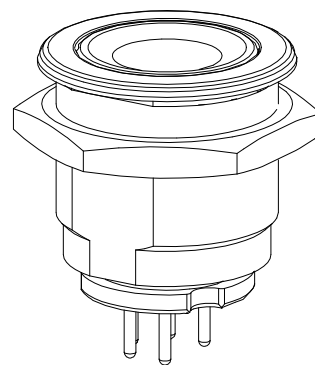
Socket material.....PA black  
 Button material ....PMMA green illuminated  
 Protection interior .....IP6K9K IEC 60529  
 connector .....IP00 IEC 60529  
 Max. torque ..... max. 5 Nm  
 Weight .....approx. 35g

### Mechanical Data

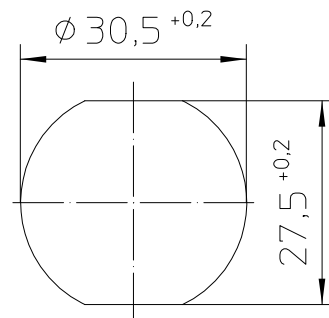
Pre travel .....1,5±0,5mm  
 Total travel .....2,5±0,5mm  
 Operating force .....20-40N  
 Current carrying parts .....Cu-alloy  
 Contact material.....Ag-alloy  
 Mechanical life .....100 000 cycles  
 Temperature Range .....-40°C to +90°C

### Electrical Data

Voltage Range .....9VDC to 32VDC  
 Electrical load.....10mA to 5A



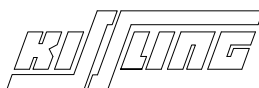
### Mounting Dimensions



For this drawing we reserve the copyright in accordance with DIN ISO 16016

	Date	Name
Create	24.09.2019	Nonne
Edited	24.09.2019	Baumg
Check	26.09.2019	Nonne

mm ↔	Scale 1:1
General Tolerances DIN ISO 2768 cL	



Drawing No:	TS-212-GN12
NSN:	