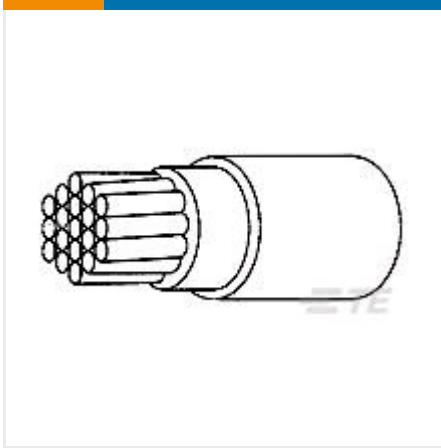




+ WIRE AND CABLE

HOOK UP WIRE



✓ Active

TE CONNECTIVITY (TE)

99M0111-12-4

Raychem | SP

99M0111-12-4

TE Internal Number: 4549213001

Alias ID: 7-1193414-5

[EU RoHS Compliant](#)

[EU ELV Compliant](#)

Cable Type Spec 99M

Voltage Rating (V) 600

Insulation Material Radiation-Crosslinked, Modified Polyester

Conductor Material Tin-Plated Copper

Wire Size (AWG) 12

↓ **PRODUCT DRAWING**
English

DOCUMENTATION

Product Drawings

Customer Drawing

PDF

English

FEATURES

Please review product documents or [contact us](#) for the latest agency approval information.

Please Note: Use the Product Drawing for all design activity.

Product Type Features

Cable Type Spec 99M
Cable Style Primary
Product Classification Cable - Spec 99 & 100
Product Type Cable

Configuration Features

Number of Strands 37
Number of Conductors 1

Electrical Characteristics

Voltage Rating (V) 600

Body Features

Insulation Material Radiation-Crosslinked, Modified Polyester
Conductor Material Tin-Plated Copper
Wire Color Yellow

Dimensions

Strand Size (AWG) 28
Wire Size (AWG) 12
Wire Size (mm²) 3.31
Conductor Diameter 2.23 mm [.088 in]
Insulation Thickness .2 mm [.008 in]
Overall Outside Diameter 2.7 mm [.1063 in]
Wire Diameter 2.48 mm [.098 in]

Usage Conditions

Operating Temperature Range (°C) -55 – 125

Other

Wire Source United Kingdom

PRODUCT COMPLIANCE



Statement of Compliance

Statement of Compliance

PDF
