

1355328-1 ✓ ACTIVE

AMP | AMP MCP 9.5, AMP MCP Connector System

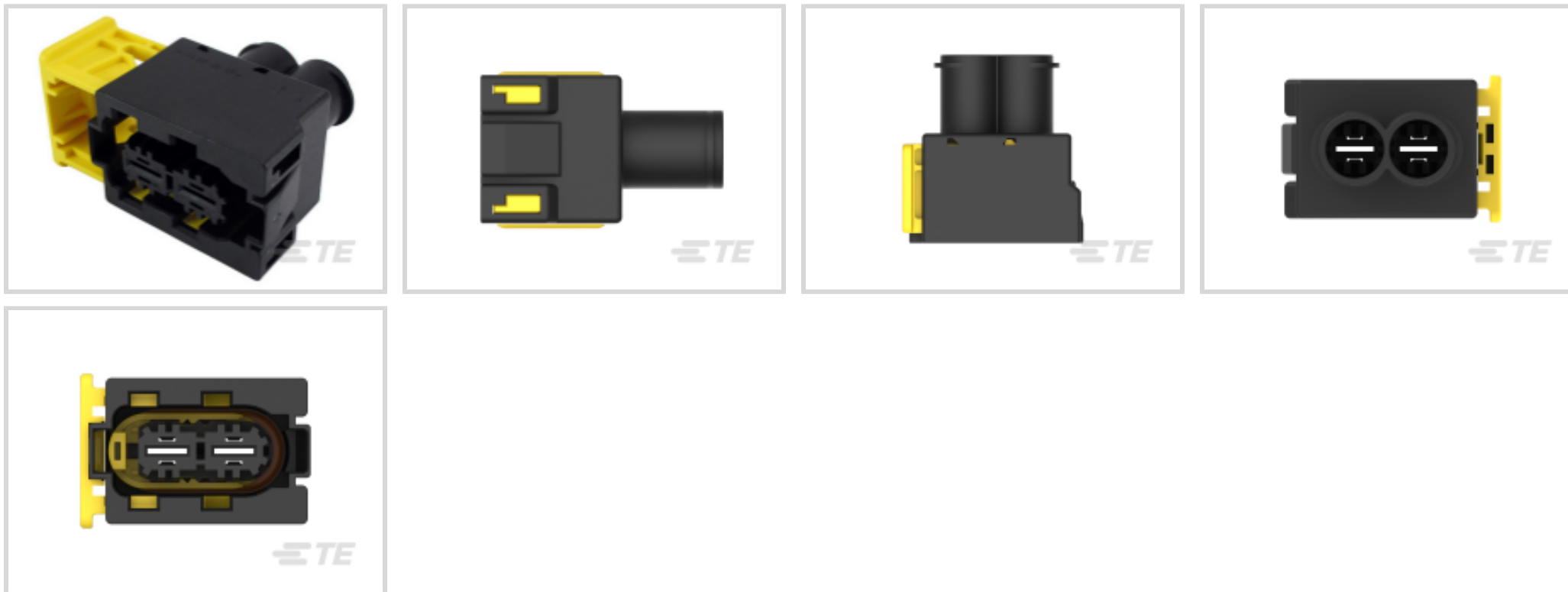
TE Internal #: 1355328-1

Housing for Female Terminals, Wire-to-Wire, 2 Position, 16.5 mm [.649 in] Centerline, Sealable, Black, Wire & Cable, Power, Hybrid

[View on TE.com >](#)



Connectors > Automotive Connectors > Automotive Housings > AMP MCP, SEALED CONNECTOR HOUSING



Connector System: **Wire-to-Wire**

Number of Positions: **2**

Connector & Housing Type: **Housing for Female Terminals**

Centerline (Pitch): **16.5 mm [.649 in]**

Sealable: **Yes**

[All AMP MCP, SEALED CONNECTOR HOUSING \(130\)](#)

Features

Product Type Features

Mixed & Hybrid Connector	No
Connector Shape	Rectangular
Connector System	Wire-to-Wire
Connector & Housing Type	Housing for Female Terminals
Sealable	Yes
Connector & Contact Terminates To	Wire & Cable
Primary Locking Feature	Integrated in Housing

Configuration Features

Number of Positions	2
Number of Rows	1

Electrical Characteristics

Operating Voltage	28 VDC
Nominal Voltage Architecture	28 V



Body Features

Cable Exit Angle	180°
Primary Product Color	Black

Contact Features

Contact Size	9.5mm
Contact Type	Receptacle
Mating Tab Width	9.5 mm[.374 in]
Contact Current Rating (Max)	78 A

Mechanical Attachment

Terminal Position Assurance	Yes
Strain Relief	Without
Mating Alignment Type	Polarized
Mating Alignment	With
Connector Mounting Type	Cable Mount (Free-Hanging)

Housing Features

Housing Material	PA 66 - GF13
Centerline (Pitch)	16.5 mm[.649 in]

Dimensions

Connector Height	59 mm[2.32 in]
Product Width	38 mm[1.49 in]
Product Length	56.9 mm[2.24 in]

Usage Conditions

Operating Temperature (Max)	130 °C[266 °F]
Operating Temperature Range	-40 – 130 °C[-40 – 266 °F]

Operation/Application

Circuit Application	Power
---------------------	-------

Industry Standards

Degree of Protection	IP67, IP69K
UL Flammability Rating	UL 94HB

Packaging Features

Packaging Quantity	220
Packaging Method	Container



Other

Serviceable	Yes
Connector Position Assurance Capable	No

Product Compliance

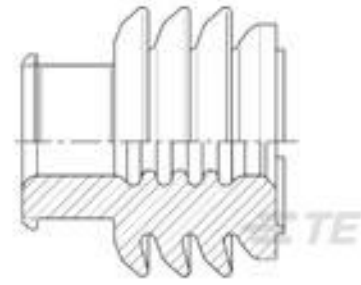
[For compliance documentation, visit the product page on TE.com>](#)

EU RoHS Directive 2011/65/EU	Compliant
EU ELV Directive 2000/53/EC	Compliant
China RoHS 2 Directive MIIT Order No 32, 2016	No Restricted Materials Above Threshold
EU REACH Regulation (EC) No. 1907/2006	Current ECHA Candidate List: JUNE 2024 (241) Candidate List Declared Against: JUNE 2024 (241) Does not contain REACH SVHC
Halogen Content	BFR/CFR/PVC Free, but Br/Cl >900 ppm in other sources.
Solder Process Capability	Not applicable for solder process capability

Product Compliance Disclaimer

This information is provided based on reasonable inquiry of our suppliers and represents our current actual knowledge based on the information they provided. This information is subject to change. The part numbers that TE has identified as EU RoHS compliant have a maximum concentration of 0.1% by weight in homogenous materials for lead, hexavalent chromium, mercury, PBB, PBDE, DBP, BBP, DEHP, DIBP, and 0.01% for cadmium, or qualify for an exemption to these limits as defined in the Annexes of Directive 2011/65/EU (RoHS2). Finished electrical and electronic equipment products will be CE marked as required by Directive 2011/65/EU. Components may not be CE marked. Additionally, the part numbers that TE has identified as EU ELV compliant have a maximum concentration of 0.1% by weight in homogenous materials for lead, hexavalent chromium, and mercury, and 0.01% for cadmium, or qualify for an exemption to these limits as defined in the Annexes of Directive 2000/53/EC (ELV). Regarding the REACH Regulation, the information TE provides on SVHC in articles for this part number is based on the latest European Chemicals Agency (ECHA) 'Guidance on requirements for substances in articles' posted at this URL: <https://echa.europa.eu/guidance-documents/guidance-on-reach>

Compatible Parts



TE Part # 1355437-2
MCP9,5 EINZELDICHTEG



TE Part # CAT-AM705-CH8172
AMP MCP, SEALED CONNECTOR HOUSING



TE Part # CAT-AM705-T273
AMP MCP, RECEPTACLE AND TAB



TE Part # 2282162-1
2POS,TAB 9.5X1.2,HEADER ASSY

Also in the Series | AMP MCP 9.5



Automotive Housings(11)



Automotive Terminals(11)

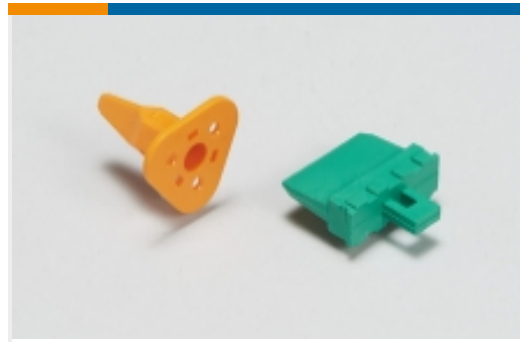


Connector Seals & Cavity Plugs(3)

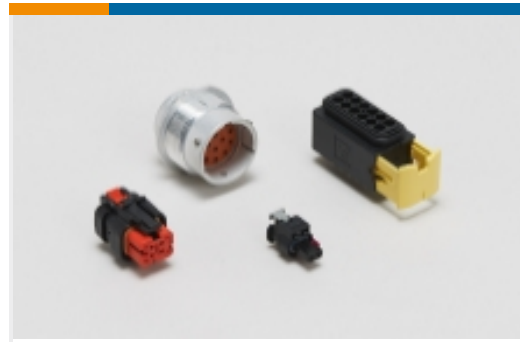
Also in the Series | AMP MCP Connector System



Automotive Connector Caps & Covers (24)



Automotive Connector Locks & Position Assurance(4)



Automotive Housings(260)



Automotive Terminals(11)



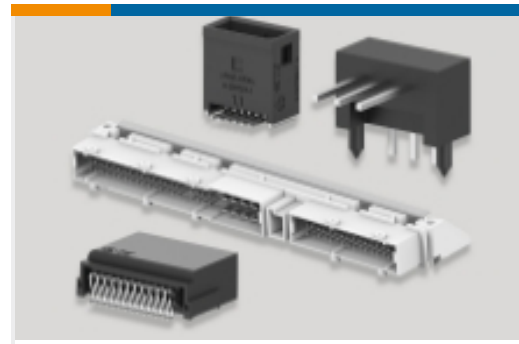
Connector Seals & Cavity Plugs(5)



Insertion & Extraction Tools(13)



Other Automotive Connector Accessories(2)



PCB Headers & Receptacles(28)

Customers Also Bought



TE Part #6-2208684-3
39POS,AMP MCP2.8,REC HSG,ASSY



TE Part #1355469-1
1,6/2,8/5,8TAB-GH42



TE Part #1-967591-1
AMP MCP 9.5, CONTACT, SWS



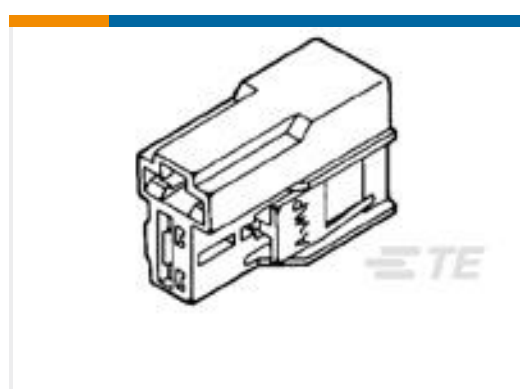
TE Part #1-1326031-2
2.8MM BLD,SEAL,12AWG, REV REEL



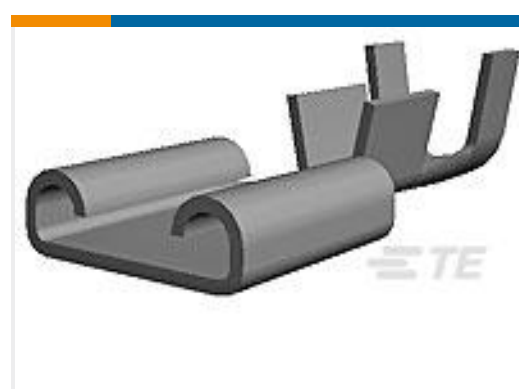
TE Part #4-2112594-1
4(6)POS,NANOMQS,REC HSG,ASSY, SEALED



TE Part #1-1452424-2
BLIND PLUG FOR MCON 1.2 CB (1.



TE Part #172434-1
POSITIVE LOCK 250 (6.3 MM) HOUSING



TE Part #4-160256-7
250 FASTON,REC.,17-14 AWG,SPBR



Documents

Product Drawings

[2POS,AMP MCP 9.5,REC HSG ASSY,SLD](#)

English

CAD Files

Customer View Model

[ENG_CVM_CVM_1355328-1_A.2d_dxf.zip](#)

English

3D PDF

3D

Customer View Model

[ENG_CVM_CVM_1355328-1_A.3d_igs.zip](#)

English

Customer View Model

[ENG_CVM_CVM_1355328-1_A.3d_stp.zip](#)

English

By downloading the CAD file I accept and agree to the [Terms and Conditions](#) of use.

Datasheets & Catalog Pages

[AMP MCP 9.5 Two Position Connectors Series Brief](#)

English

[AMP MCP 9.5 Two Position Connectors Infographic](#)

English

Product Specifications

[Application Specification](#)

German