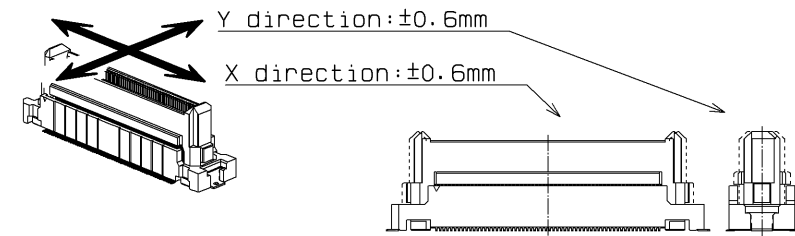
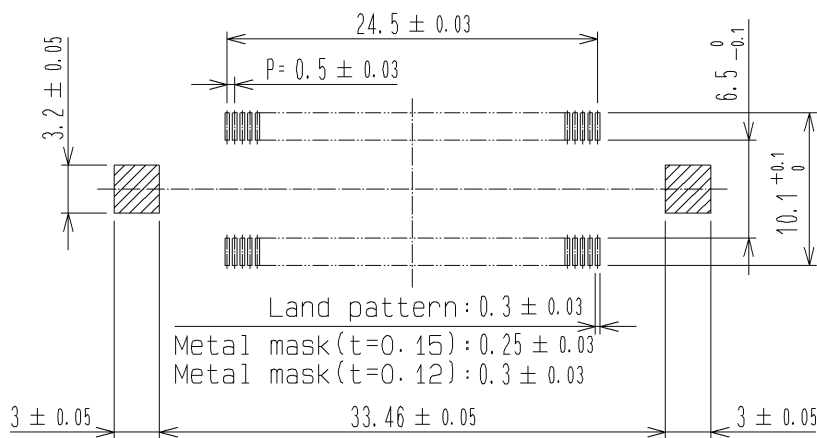
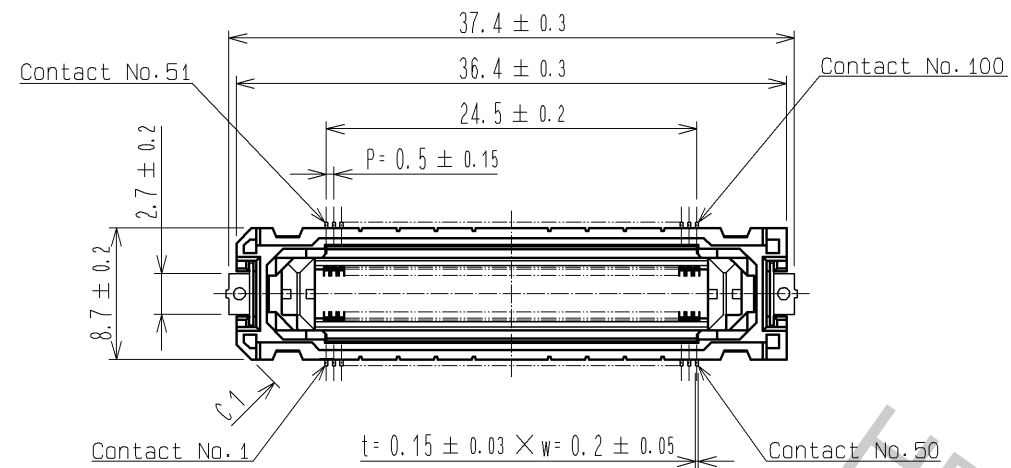
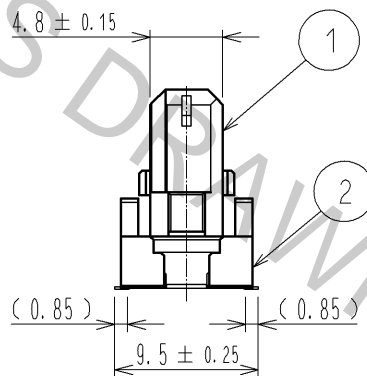
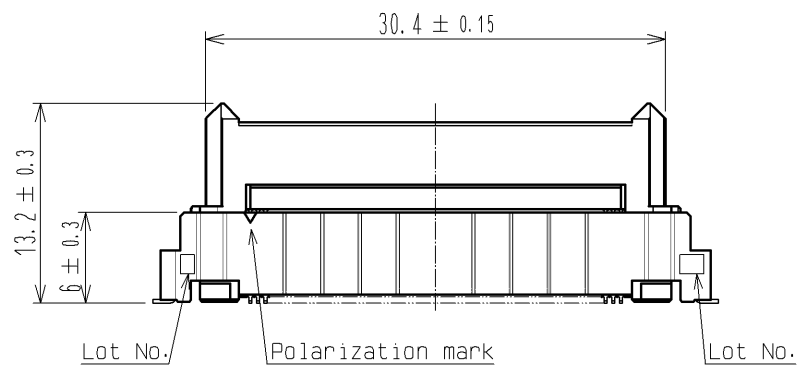
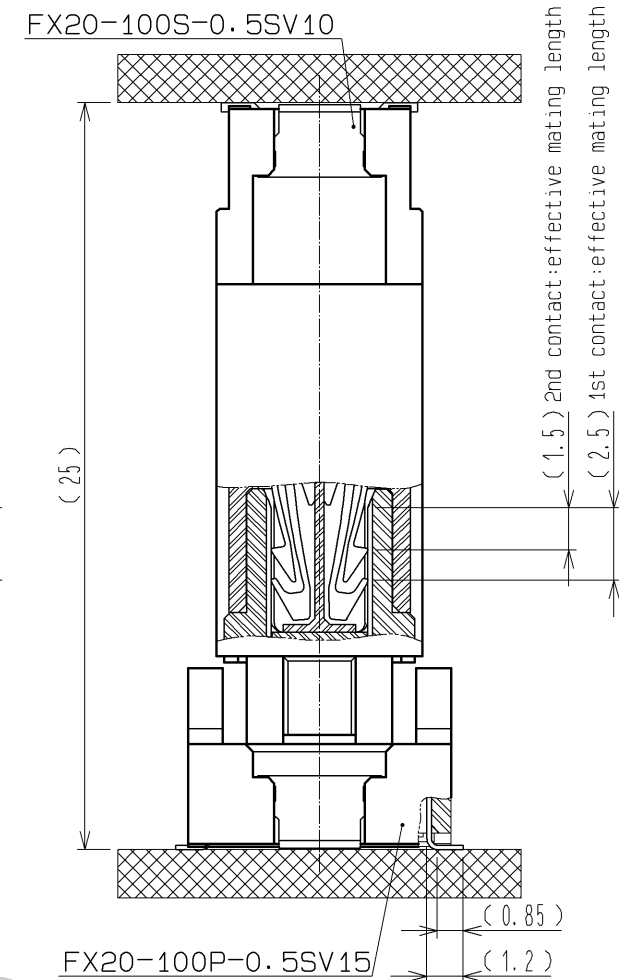


Recommended land pattern dimension of PCB

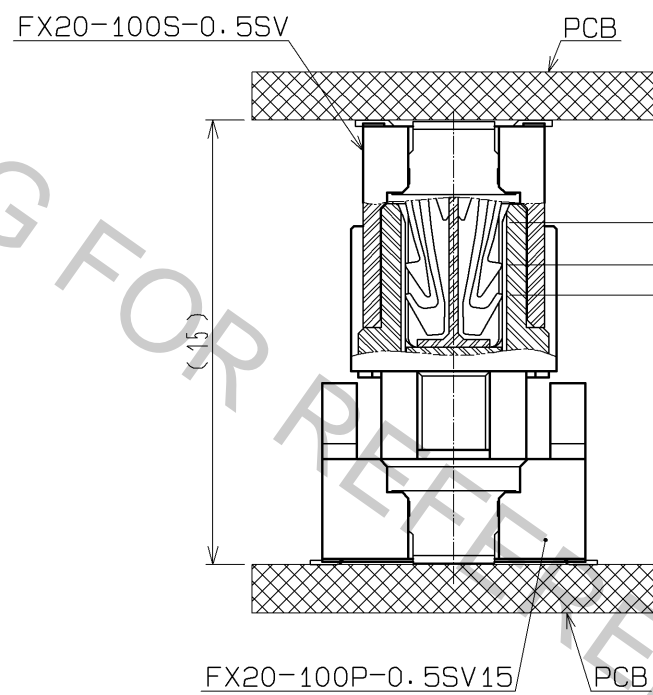
FLOATING RANGE



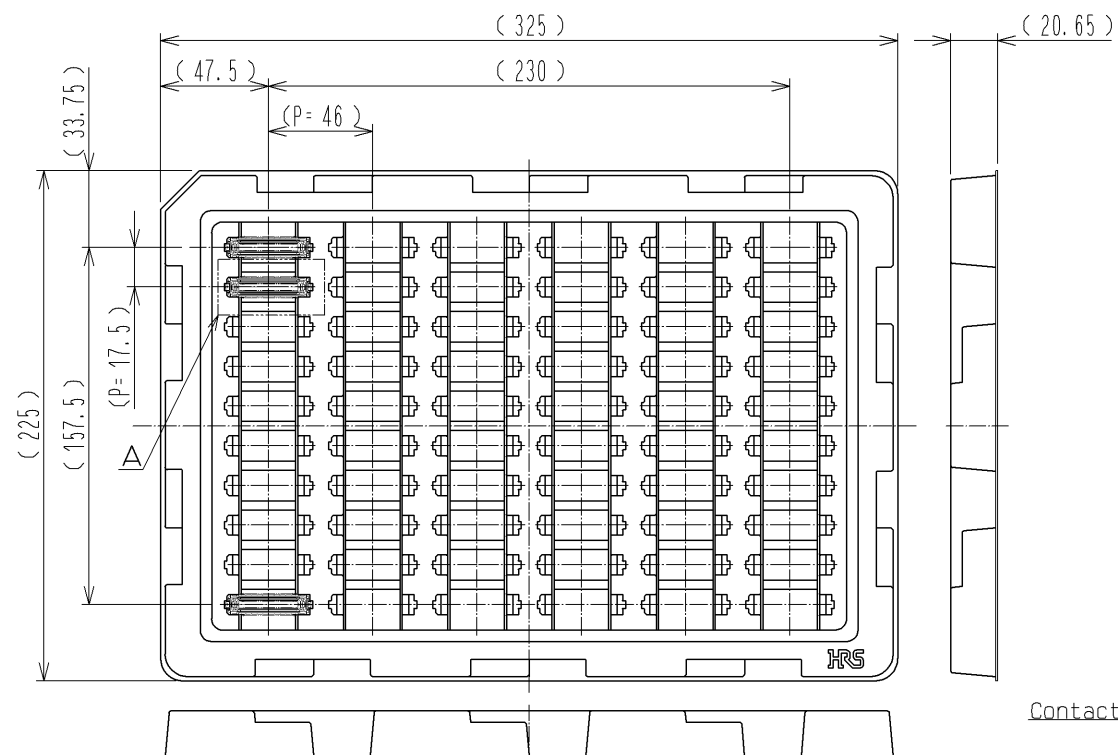
Drawing for mating (No scale)



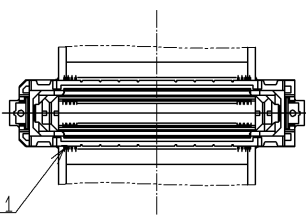
Drawing for mating (No scale)



Drawing for packing (No scale)



A (1:1)



- 1 Lead CO-Planarity is 0.1mm MAX.
- 2 This is packaged in tray. (60pcs/tray)
- 3 Floating range of this connector is ±0.6mm MAX.
- 4 Blemish and hit mark can be occurred through out the manufacturing process which doesn't affect quality level.
- 5 Please note that excessive wrenching force could damage this connector. Please refer to the guideline for detailed regulations of the mating method.
- 6 The dimensions in parentheses are for references.

2	POLYAMIDE	BLACK	UL94V-0	4	BRASS	TIN-PLATING 1 μm		
1	POLYAMIDE	BLACK	UL94V-0	3	COPPER ALLOY	CONTACT AREA:GOLD 0.1 μm		
						LEAD AREA:GOLD 0.03 μm		
						UNDER PLATING:NICKEL 1 μm		
NO.	MATERIAL	FINISH	REMARKS	NO.	MATERIAL	FINISH . REMARKS		
UNITS	mm	SCALE	2 : 1	COUNT	DESCRIPTION OF REVISIONS	DESIGNED	CHECKED	DATE
APPROVED : HS. OKAWA		13.10.07		DRAWING NO.			EDC3-336322-00	
CHECKED : KI. HIROKAWA		13.10.07		PART NO.			FX20-100P-0.5SV15	
DESIGNED : TS. OONO		13.10.07		CODE NO.			CL570-1004-9-00	
DRAWN : TS. OONO		13.10.07					1/1	