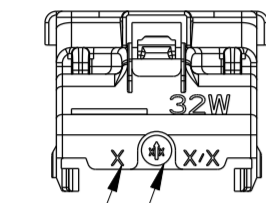


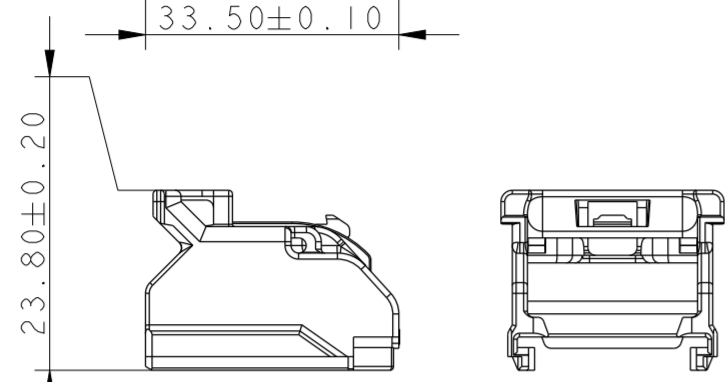
LOGO MVL
MVL LOGO



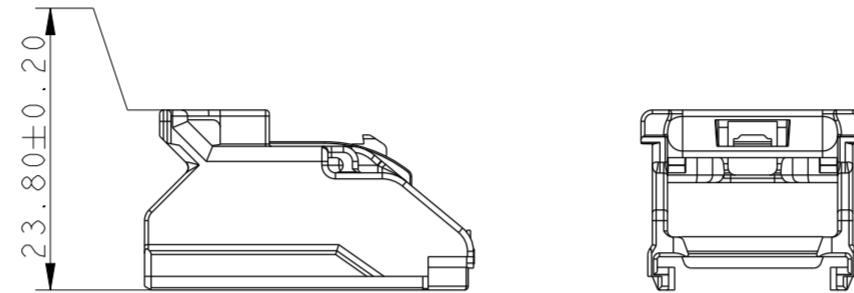
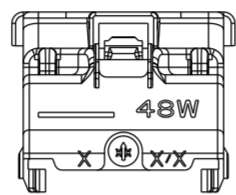
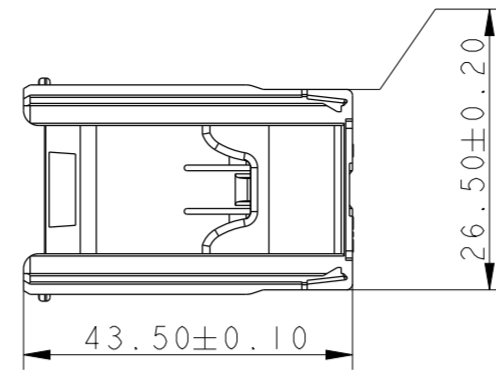
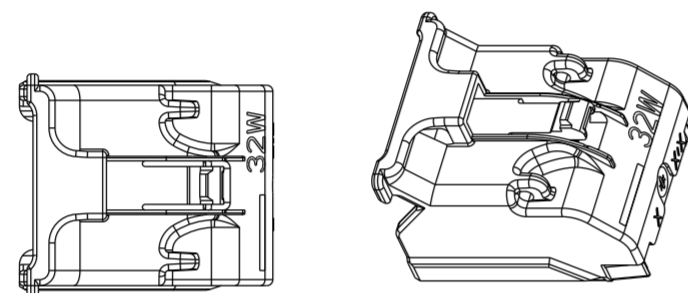
N°D'EMPREINTE DU CAPOT
MOLD NUMBER OF COVER

DATEUR (MOIS/ANNEE)
DATE INDICATOR (MONTH/YEAR)

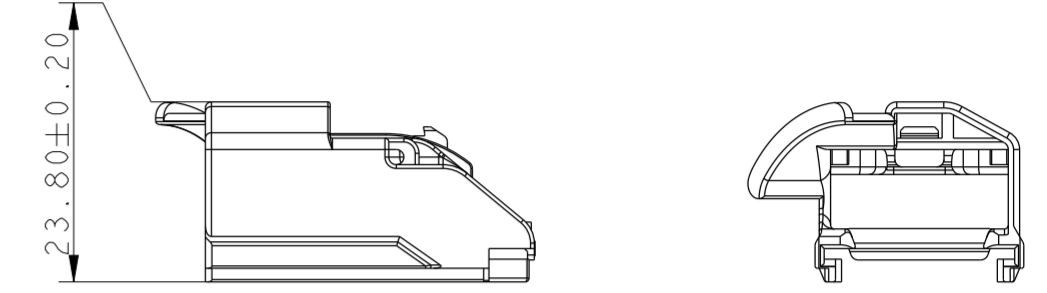
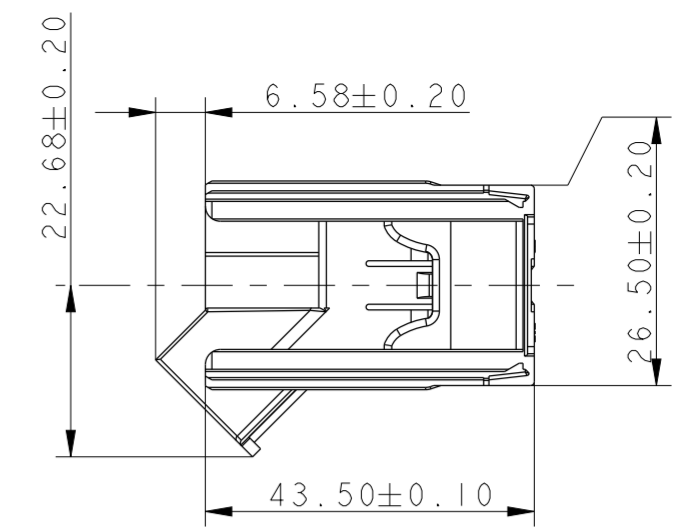
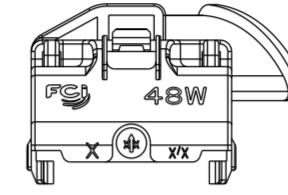
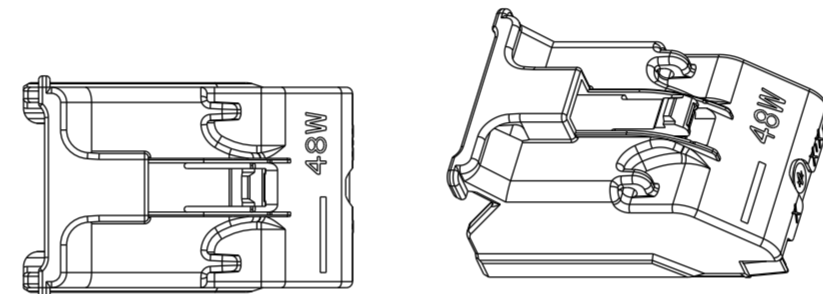
INDICE DU CAPOT
REVISION LEVEL OF COVER



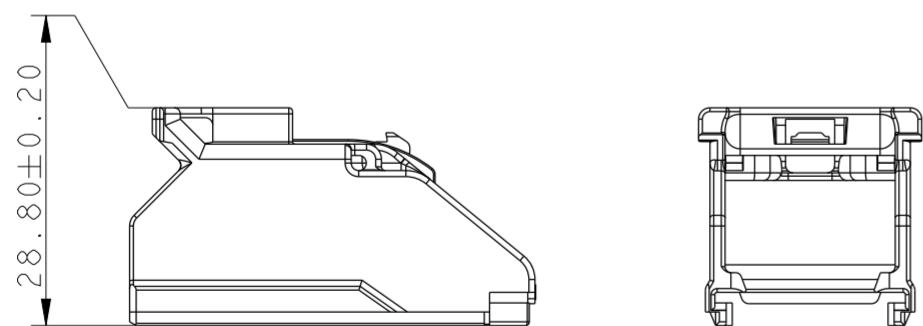
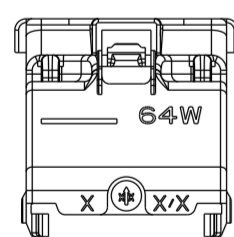
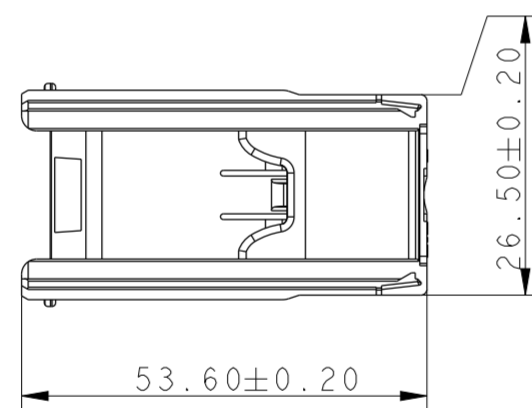
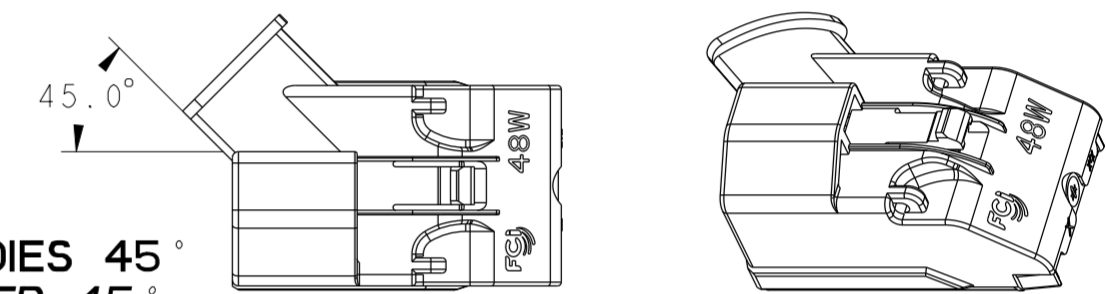
CAPOT 32 VOIES
32 WAY COVER
MVL P/N: PPI0001522
DELPHI P/N: 13851307



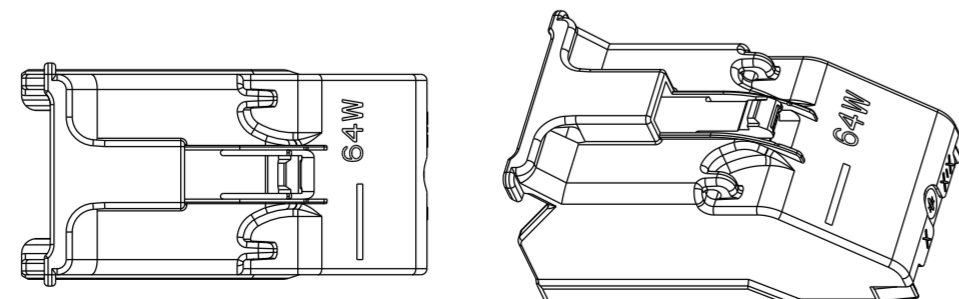
CAPOT 48 VOIES
48 WAY COVER
MVL P/N: F965000
DELPHI P/N: 13956254



CAPOT 48 VOIES 45°
48 WAY COVER 45°
MVL P/N: PPI0001538
DELPHI P/N: 33517228



CAPOT 64 VOIES
64 WAY COVER
MVL P/N: PPI0001526
DELPHI P/N: 13648597



CAPOT / COVER				PRODUITS ASSOCIES / ASSOCIATED PARTS														
REF. P/N	REV. REV.	REF. P/N	REV. REV.	MODULE MODULE	CODAGE CODING	ETANCHEITE SEALING	SORTIE FAISEAU WIRING OUT	MVL		DELPHI								
								REF. P/N	IND. REV.	REF. P/N	IND. REV.							
PPI0001522	C	13851307	01	32 VOIES 32 WAY	NOIR BLACK	ETANCHE SEALED	GAUCHE LEFT	PP10001487	C	13741940	01							
							DROIT RIGHT	PP10001488	C	13851306	01							
							GAUCHE LEFT	PP10001506	C	33500507	01							
							DROIT RIGHT	PP10001489	C	33500494	01							
							GAUCHE LEFT	PP10001490	C	33500495	01							
							DROIT RIGHT	PP10001491	C	33500496	01							
							GAUCHE LEFT	PP10001492	C	33500497	01							
							DROIT RIGHT	PP10001493	C	33500498	01							
							GAUCHE LEFT	F552100	C	33500411	01							
							DROIT RIGHT	F252100	C	33500400	01							
							GAUCHE LEFT	PP10001494	C	13956021	01							
							DROIT RIGHT	PP10001495	C	13956255	01							
F965000 PPI0001538	C	13956254 13956254	01	48 VOIES 48 WAY	NOIR BLACK	NON ETANCHE UNSEALED	GAUCHE LEFT	F752100	C	33500417	01							
							DROIT RIGHT	F452100	C	33500408	01							
							GAUCHE LEFT	PP10001496	C	33500499	01							
							DROIT RIGHT	PP10001497	C	33500500	01							
							GAUCHE LEFT	F652100	C	33500414	01							
							DROIT RIGHT	F352100	C	33500405	01							
							GAUCHE LEFT	F765000	C	33500419	01							
							DROIT RIGHT	F865000	C	33500420	01							
							PPI0001526	C	13648597	01	64 VOIES 64 WAY	NOIR BLACK	ETANCHE SEALED	GAUCHE LEFT	PP10001500	C	13722628	01
														DROIT RIGHT	PP10001501	C	13648596	01
														GAUCHE LEFT	PP10001502	C	33500503	01
														DROIT RIGHT	PP10001503	C	33500504	01
GAUCHE LEFT	PP10001504	C	33500505	01														
DROIT RIGHT	PP10001505	C	33500506	01														

SPECIFICATION DE CONDITIONNEMENT
PACKAGING SPECIFICATION

FE PA 06 013

CAHIER DES CHARGES
SPECIFICATION

NF R 13-462
FE PS 06 002

MISE EN OEUVRE
APPLICATION SPECIFICATION

DOSSIER DE PRECONISATION : PU 087
USER'S MANUAL : PU 087

ECN-NO. NUMERO ECN

POSITION POSITION

CHANGE DESCRIPTION MODIFICATION

PRODUCT SPEC. SPECIF. PRODUIT

PACKAGING SPEC. SPECIF. EMBALLAGE

APPLICATION SPEC. SPECIF. APPLICATION

COPYRIGHT DELPHI CORPORATION AND/OR ITS AFFILIATES. ALL RIGHTS RESERVED. REVISED THIS DRAWING IS THE PROPERTY OF DELPHI CORPORATION AND CONTAINS DELPHI CONFIDENTIAL INFORMATION. THE REPRODUCTION, DISTRIBUTION AND UTILIZATION OF THIS DOCUMENT OR ITS RELATED CAD DATA, AS WELL AS COMMUNICATION OF ANY CONTENT TO OTHERS, WITHOUT EXPRESS AUTHORIZATION, IS PROHIBITED.

CORRECTED DELPHI PART NUMBER FOR PPI0001538 (33517228 WAS 13956254)

TOLERANCES TOLERANCES ±0.1 ±2*

MATERIAL : PBT GF 15

SURFACE FINISH ETAT DE SURFACE

COUNTERPART N° CONTRE-PARTIE N°

COLOUR : NOIR / BLACK

DO NOT MEASURE DRAWING NE PAS PRENDRE DE COTES

FILE NAME NOM DE FICHIER PCC0424207

DATE DATE

NAME NOM

TITLE DESIGNATION

CREATED BY CREE PAR 2006/12/15 F CHAZOTTES

MODIFIED BY MODIF. PAR 2013/10/14 F FAURIE

CHECKED BY VERIF. PAR 2013/10/15 S LACOTE

APPROVED BY APPR. PAR 2013/10/15 Pascal MENARD

ESR NO. NUMERO ESR EU-03-0112

CAT. NO. NUMERO CAT.

DOCUMENT UNDER PDS CONTROL DOCUMENT GERE SOUS P.D.S. NO MODIFICATION ALLOWED OUTSIDE (PAS DE MODIFICATION EN DEHORS)

ECO Loc. Code CODE B.E. FE

DELPHI DELPHI PACKARD ELECTRICAL/ELECTRONIC ARCHITECTURE EPERNON, FRANCE

pro / eng.

DIMENSION IN MILLIMETERS DIMENSIONS EN MILLIMETRES

DWG SIZE FORMAT A2

ISO PROJECTION PROJECTION ISO

DRAWING NUMBER REF. PLAN PCC0424207

REV. IND. H

STATE ETAT PART NUMBER REF. ARTICLE

SHEET FEUILLE 1 of 1 sur 1

SCALE ECH. 2:1

Mouser Electronics

Authorized Distributor

Click to View Pricing, Inventory, Delivery & Lifecycle Information:

[Aptiv:](#)

[PPI0001522](#) [PPI0001538](#) [PPI0001526-B](#) [PPI0001522-B](#)