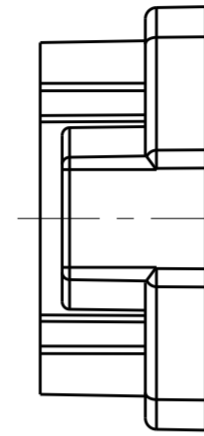
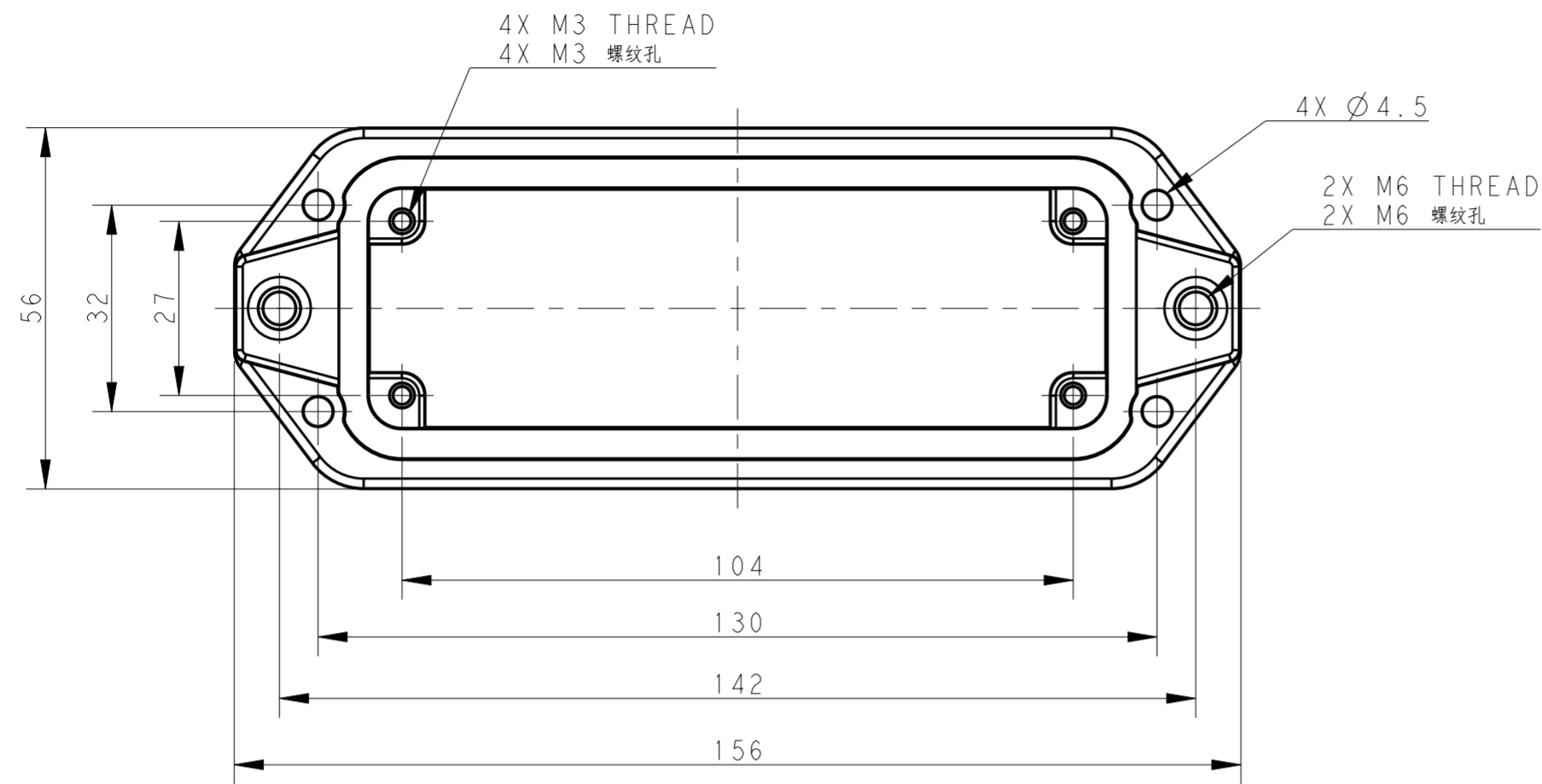


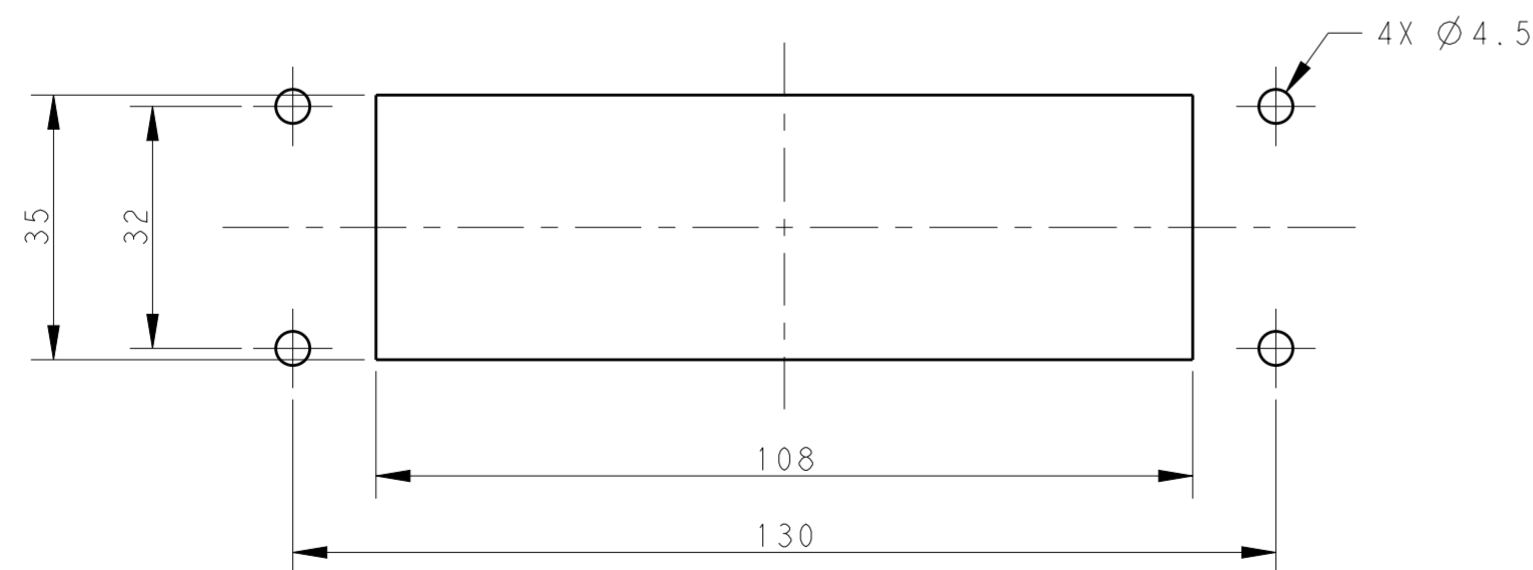
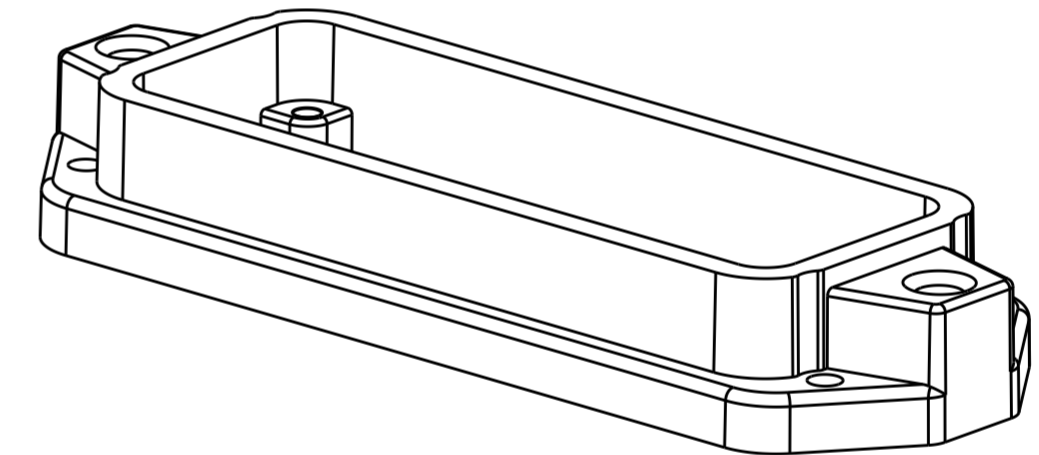
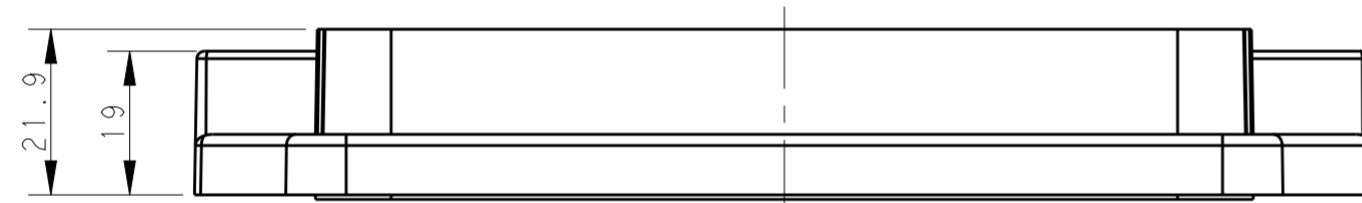
THIS DRAWING IS UNPUBLISHED. RELEASED FOR PUBLICATION 20
 © COPYRIGHT 20 BY - ALL RIGHTS RESERVED.

REVISIONS				
P	LTR	DESCRIPTION	DATE	APVD
	A	INITIAL RELEASE	15JUN2016	DW CW



NOTES:
 1. TECHNICAL CHARACTERISTICS:
 HOUSING MATERIAL: DIE CAST ALUMINIUM ALLOY
 SURFACE : SEE TABLE
 DEGREE OF PROTECTION: IP68 (MATED)

注释
 1. 技术参数:
 壳体材料: 铝合金
 表面处理: 见表格
 防护等级: IP68 (配合)



Panel Cut Out
 面板开口尺寸

T1932242000-009	H24BPR-AGC-EMC-C H24BPR HOUSING, CENTER LOCKING, BULKHEAD MOUNTED, POWDER COATED, GREY H24BPR中部锁定开孔下壳 灰色
T1932241000-009	H24BPR-AGC-EMC-C H24BPR HOUSING, CENTER LOCKING, BULKHEAD MOUNTED, POWDER COATED, SILVER WHITE H24BPR中部锁定开孔下壳 银白色
T1932240000-009	H24BPR-AGC-EMC-C H24BPR HOUSING, CENTER LOCKING, BULKHEAD MOUNTED, POWDER COATED, BLACK H24BPR中部锁定开孔下壳 黑色
PART NUMBER 料号	DESCRIPTION 描述

THIS DRAWING IS A CONTROLLED DOCUMENT.		DWN DAVID WANG 15JUN2016	TE Connectivity	
		CHK CHRIS WANG 15JUN2016		
		APVD XIANG XU 15JUN2016	NAME H24BPR-AGC-EMC-C	
DIMENSIONS: mm		PRODUCT SPEC 108-137191	SIZE A2	
TOLERANCES UNLESS OTHERWISE SPECIFIED:		APPLICATION SPEC 114-137191	CAGE CODE -	DRAWING NO. C-T193224XXXXX09
0 PLC ±		WEIGHT -	RESTRICTED TO -	
1 PLC ±		CUSTOMER DRAWING		
2 PLC ±		SCALE 1:1	SHEET 1 OF 1	REV A
3 PLC ±				
4 PLC ±				
ANGLES ±				
FINISH -				

Mouser Electronics

Authorized Distributor

Click to View Pricing, Inventory, Delivery & Lifecycle Information:

[TE Connectivity:](#)

[T1932242000-009](#) [T1932241000-009](#) [T1932240000-009](#)