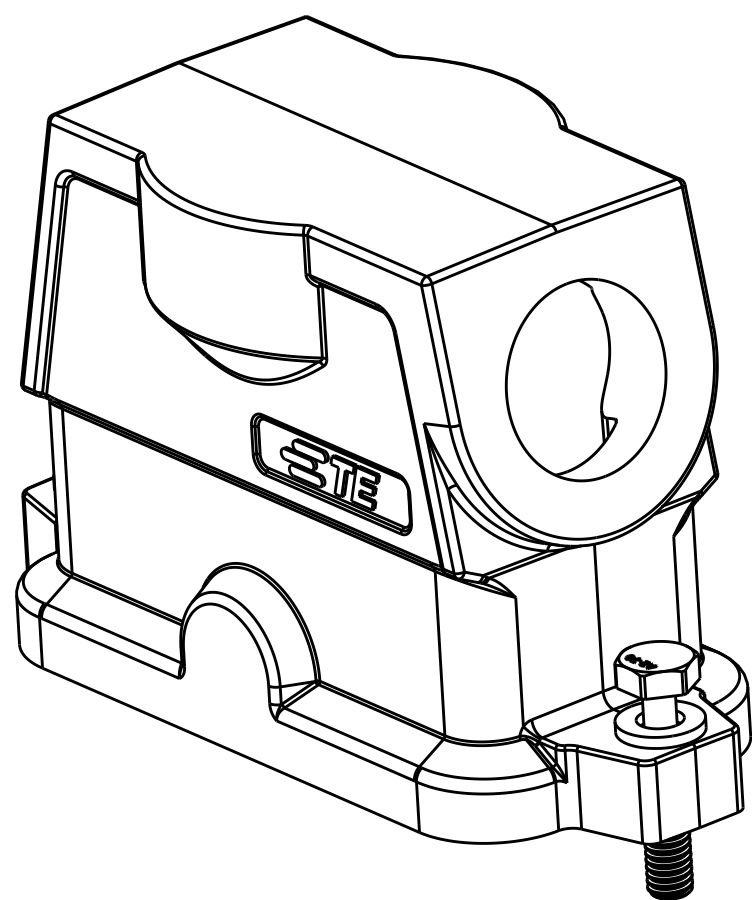
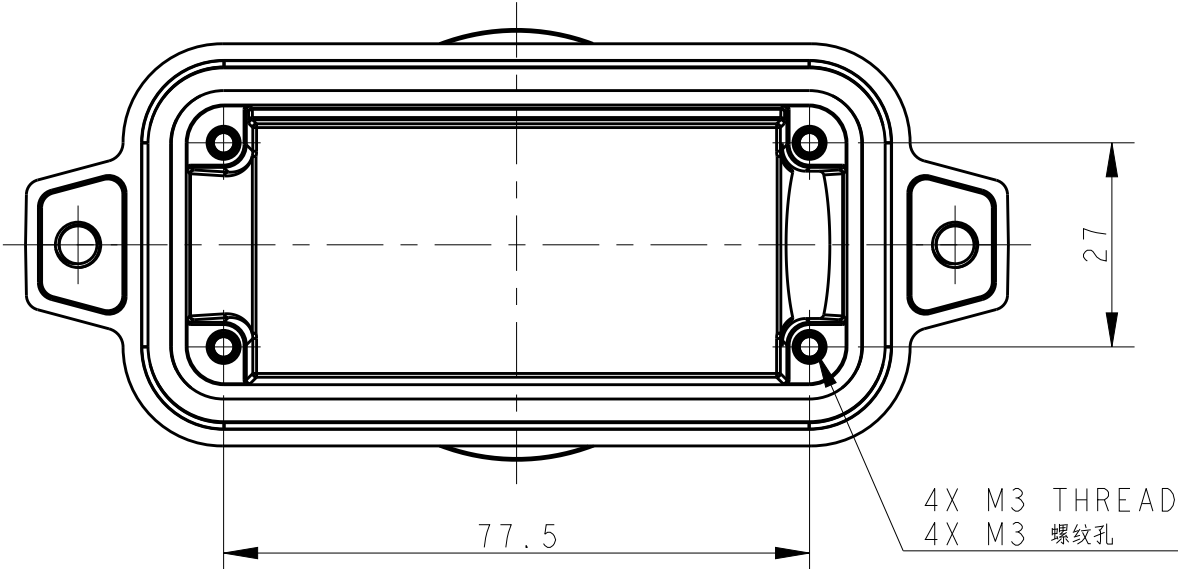
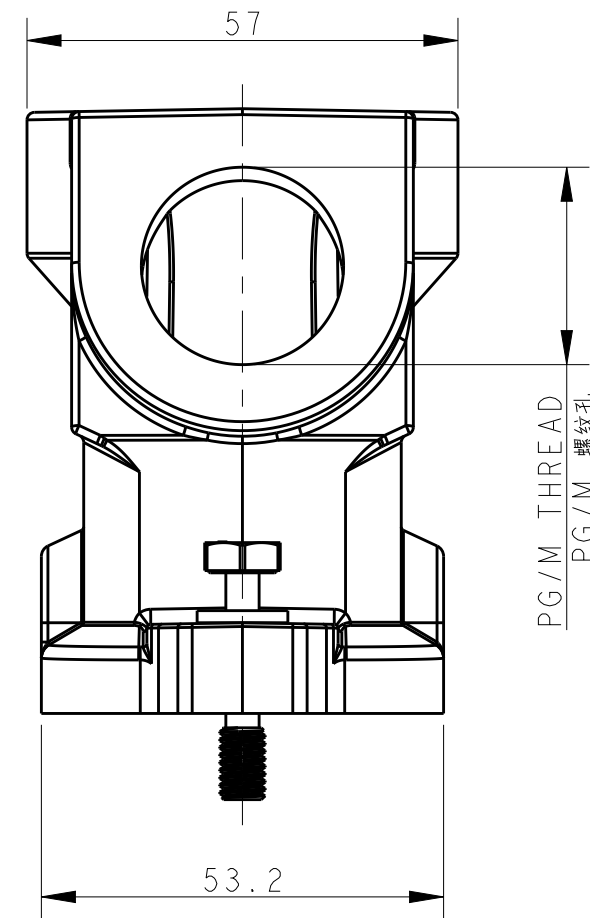
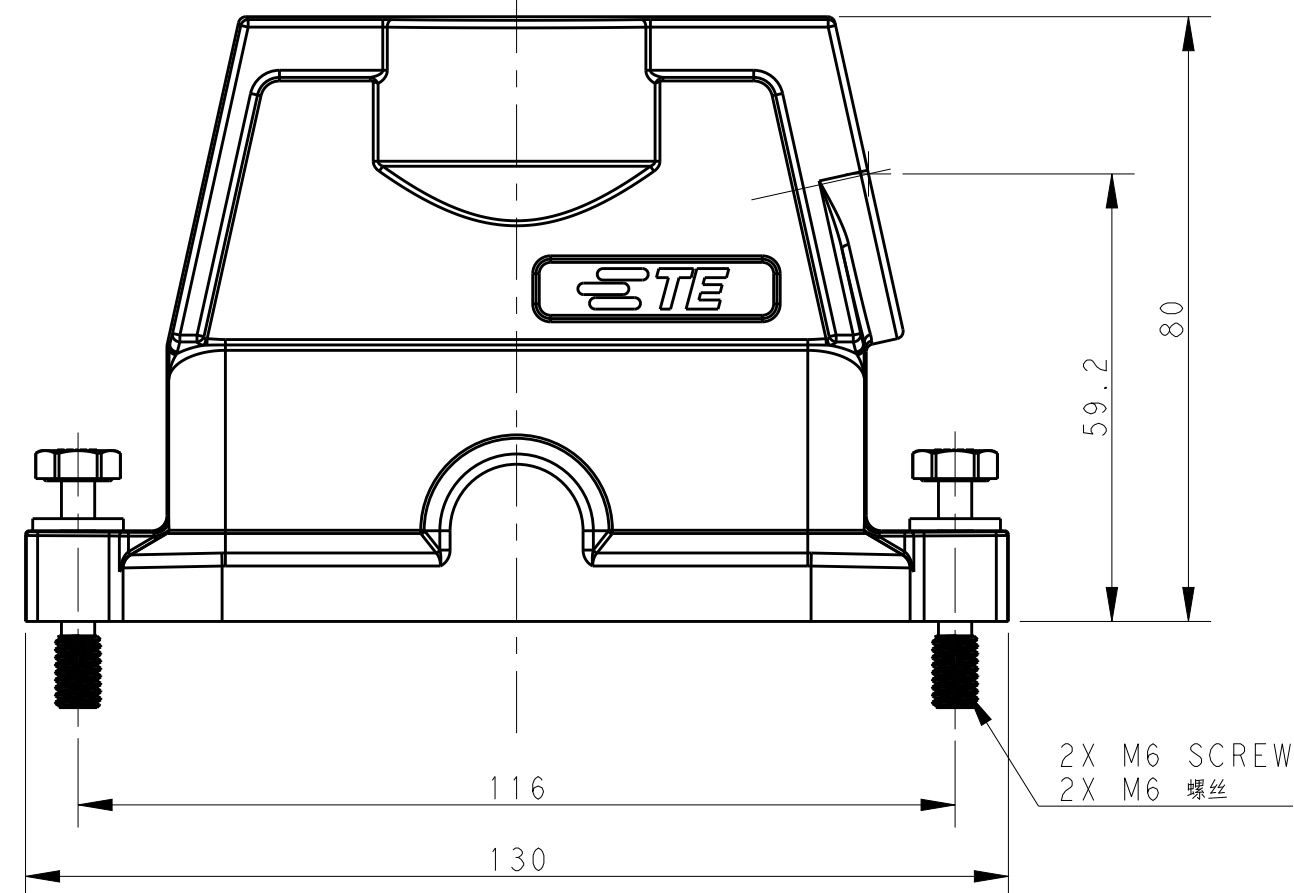


THIS DRAWING IS UNPUBLISHED. RELEASED FOR PUBLICATION 20  
 © COPYRIGHT 20 BY - ALL RIGHTS RESERVED.

REVISIONS				
P	LTR	DESCRIPTION	DATE	APVD
A		INITIAL RELEASE	08OCT2016	DW CW



NOTES:  
 1. TECHNICAL CHARACTERISTICS:  
 HOOD MATERIAL: DIE CAST ALUMINIUM ALLOY  
 SURFACE: SEE TABLE  
 DEGREE OF PROTECTION: IP68 (MATED)

注释:  
 1. 技术参数:  
 壳体材料: 铝合金  
 表面处理: 见表格  
 防护等级: IP68 (配合)

PART NUMBER 料号	DESCRIPTION 描述	PG/M THREAD PG/M 螺纹
T1912161140-009	H16BPR-TSHC-M40-EMC-C H16BPR 中部锁定侧出上壳M40 银白色	M40
T1912161132-009	H16BPR-TSHC-M32-EMC-C H16BPR 中部锁定侧出上壳M32 银白色	M32
T1912161129-009	H16BPR-TSHC-PG29-EMC-C H16BPR 中部锁定侧出上壳PG29 银白色	PG29
T1912161125-009	H16BPR-TSHC-M25-EMC-C H16BPR 中部锁定侧出上壳M25 银白色	M25
T1912161121-009	H16BPR-TSHC-PG21-EMC-C H16BPR 中部锁定侧出上壳PG21 银白色	PG21
T1912160140-009	H16BPR-TSHC-M40-EMC-C H16BPR 中部锁定侧出上壳M40 黑色	M40
T1912160132-009	H16BPR-TSHC-M32-EMC-C H16BPR 中部锁定侧出上壳M32 黑色	M32
T1912160129-009	H16BPR-TSHC-PG29-EMC-C H16BPR 中部锁定侧出上壳PG29 黑色	PG29
T1912160125-009	H16BPR-TSHC-M25-EMC-C H16BPR 中部锁定侧出上壳M25 黑色	M25
T1912160121-009	H16BPR-TSHC-PG21-EMC-C H16BPR 中部锁定侧出上壳PG21 黑色	PG21

THIS DRAWING IS A CONTROLLED DOCUMENT.		DWN 08OCT2016 DAVID WANG	TE Connectivity	
		CHK 08OCT2016 CHRIS WANG		
		APVD 08OCT2016 XIANG XU	NAME H16BPR-TSHC-PG/M-EMC-C	
DIMENSIONS: mm		TOLERANCES UNLESS OTHERWISE SPECIFIED:	PRODUCT SPEC 108-137191	
		0 PLC ± 1 PLC ± 2 PLC ± 3 PLC ± 4 PLC ± ANGLES ± FINISH	APPLICATION SPEC 114-137191	
MATERIAL			WEIGHT	
			Customer Drawing	
			SIZE A2	RESTRICTED TO
			CAGE CODE	
			DRAWING NO G-T191216XXXXX09	
			SCALE 1:1	SHEET 1 OF 1
				REV A

# Mouser Electronics

Authorized Distributor

Click to View Pricing, Inventory, Delivery & Lifecycle Information:

## [TE Connectivity:](#)

[T1912160121-009](#) [T1912160125-009](#) [T1912160129-009](#) [T1912160140-009](#) [T1912160132-009](#) [T1912161121-009](#)  
[T1912161125-009](#) [T1912161129-009](#) [T1912161132-009](#) [T1912161140-009](#)