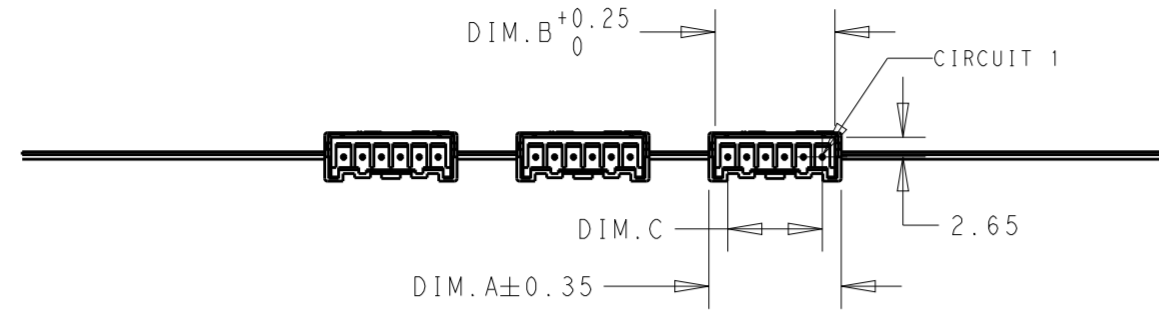


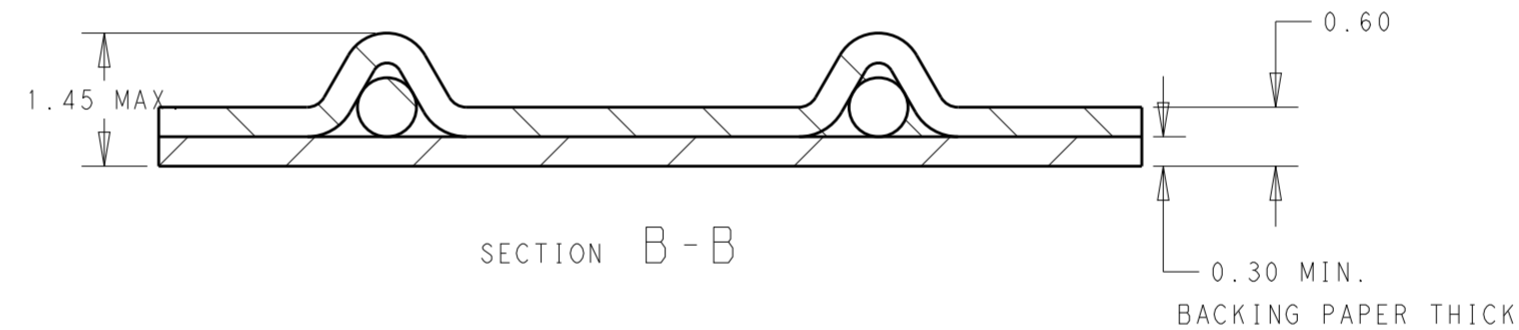
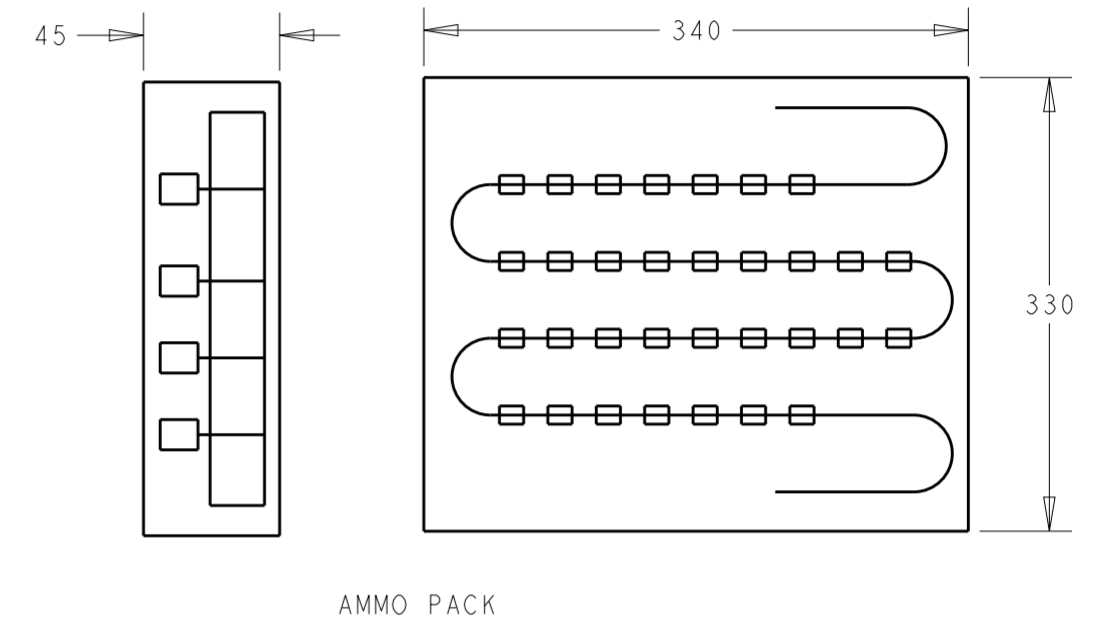
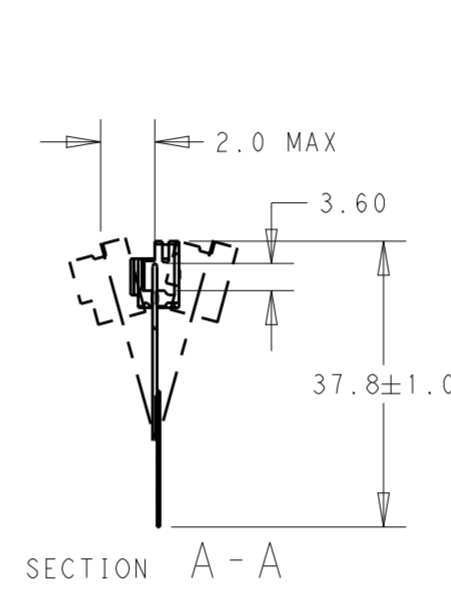
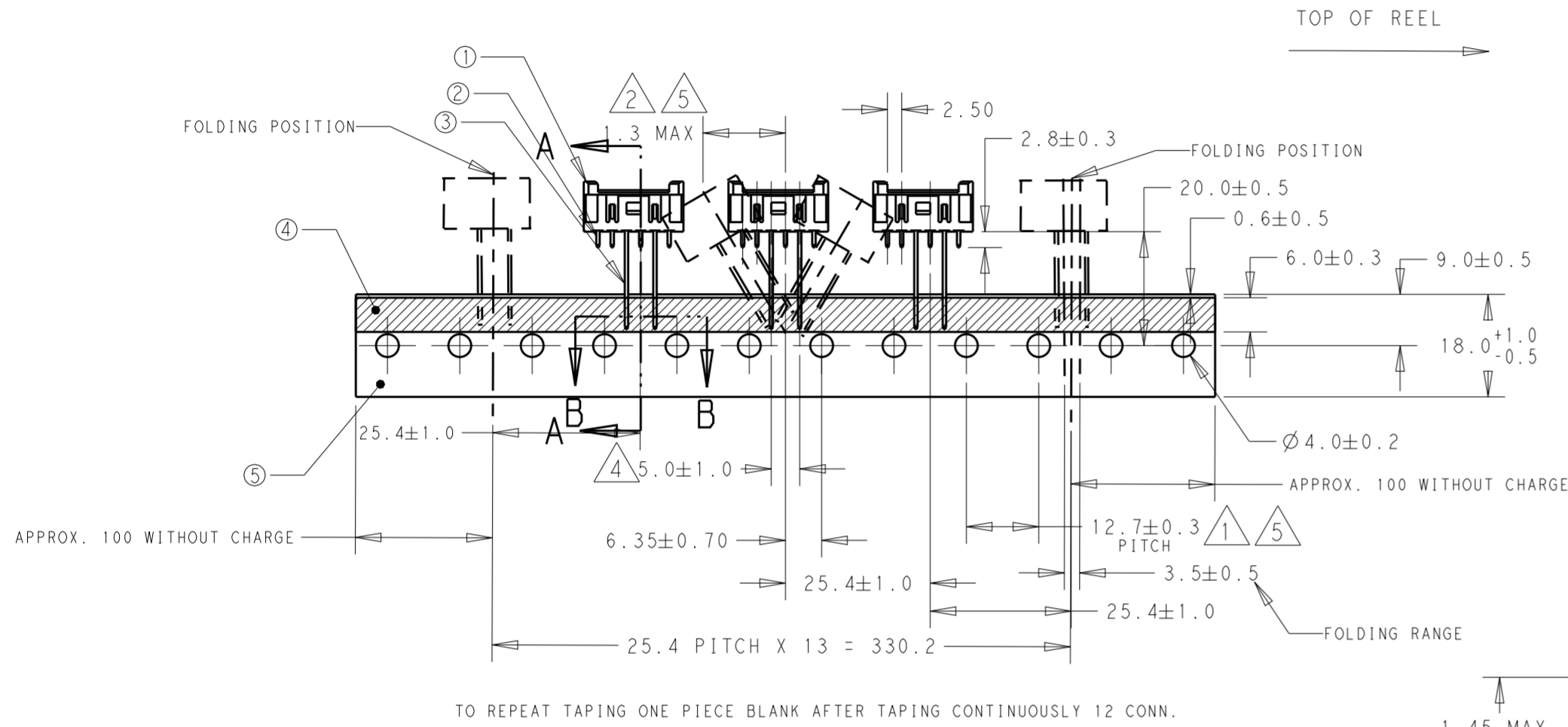
THIS DRAWING IS UNPUBLISHED. RELEASED FOR PUBLICATION
 © COPYRIGHT copyright dbTe ALL RIGHTS RESERVED.

REVISIONS					
P	LTR	DESCRIPTION	DATE	DWN	APVD
A1		REVISED PER ECR-16-015820	05DEC16	O.C	D.Z

TAPING STYLE B: 4POS. THRU 8POS.



- ① ACCUMULATING TOLERANCE: ±1.0mm/20 PITCH
- ② MESURING POINT: AT TOP OF POST
- ③ TAPE MUST NOT PROTRUDE FROM BACKING PAPER
- ④ MESURING POINT, THE TOP OF TAPING AND THE CENTER LINE OF LEAD WIRE IN BETWEEN
- ⑤ BE BASED ON THE CENTER 12.7mm PITCH DIMENSION



TAPING STYLE A: 2POS. AND 3POS.

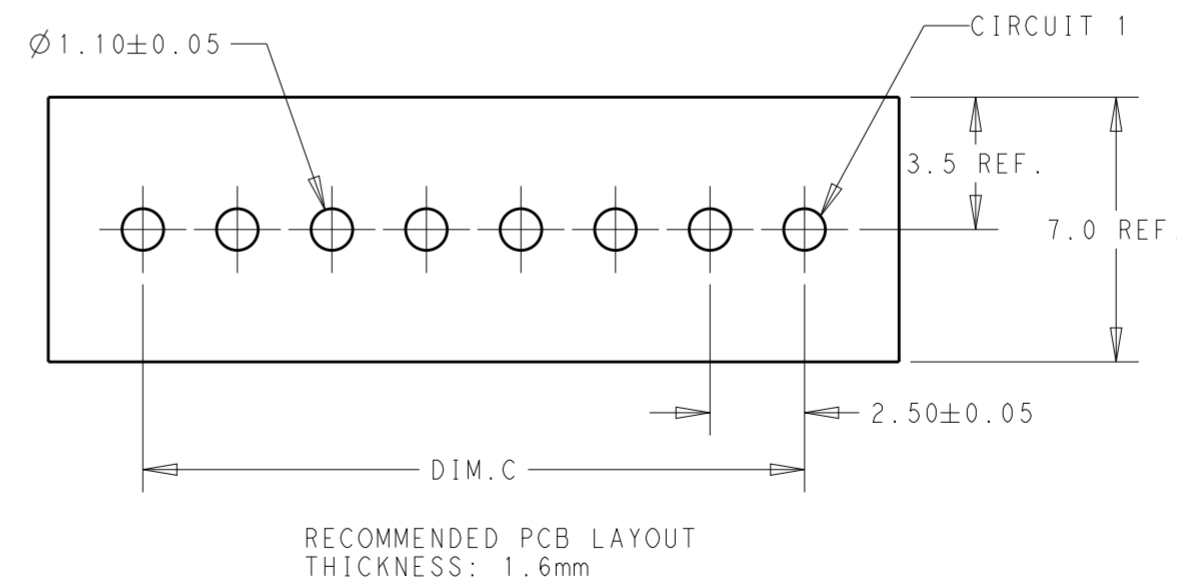
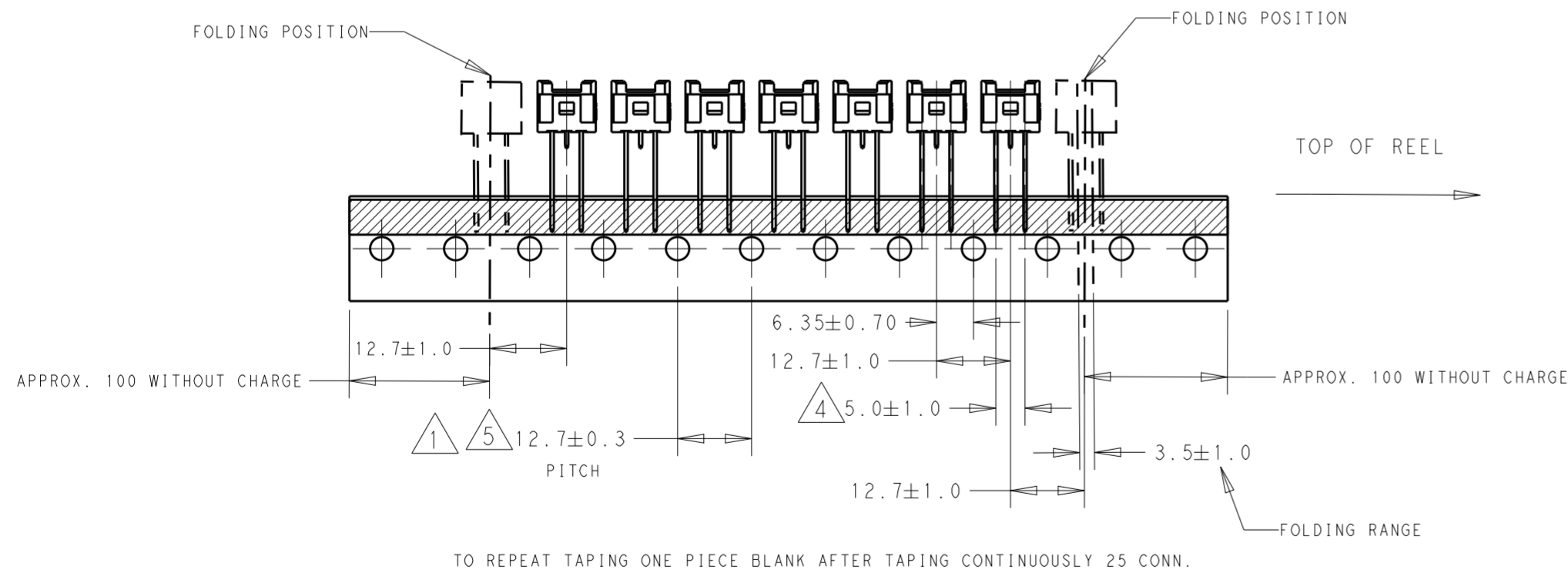


TABLE 1

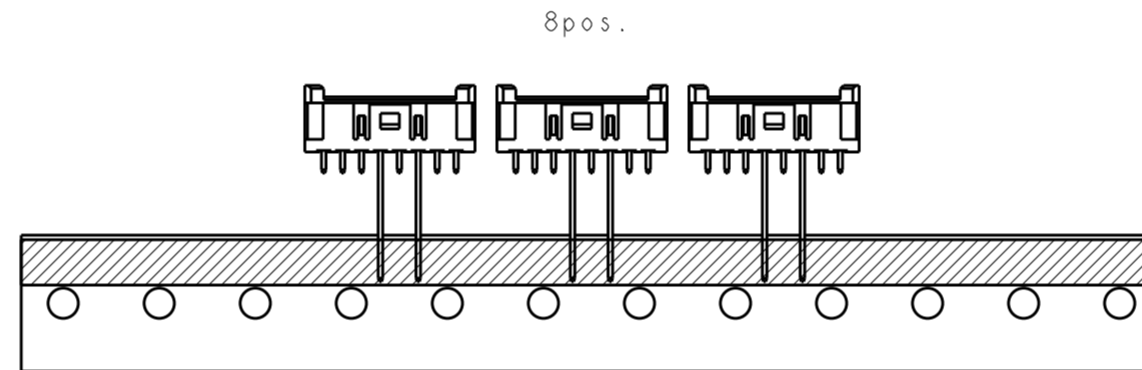
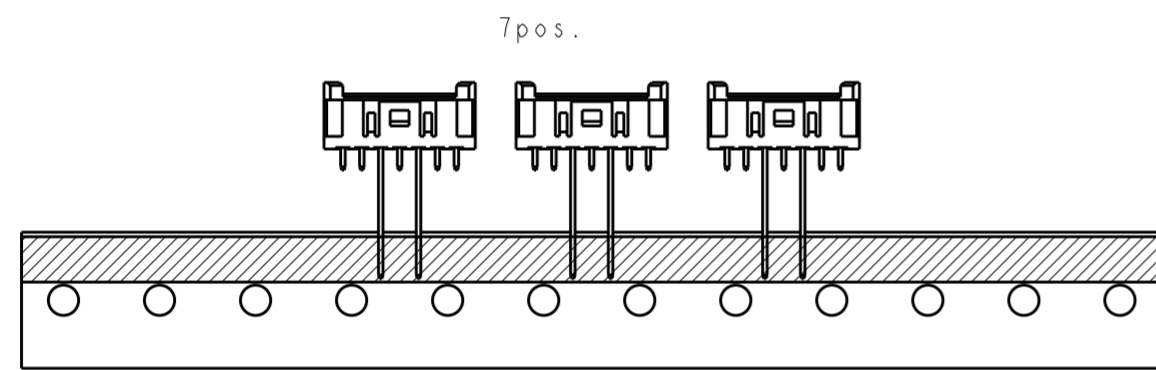
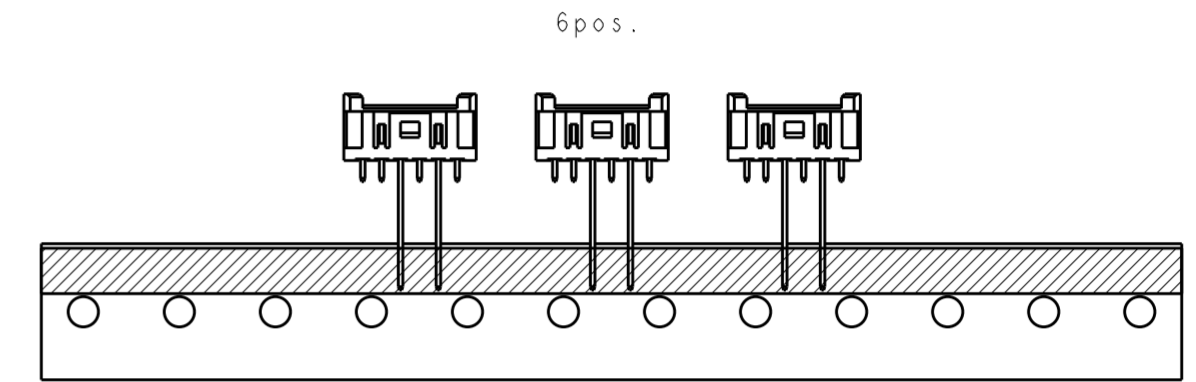
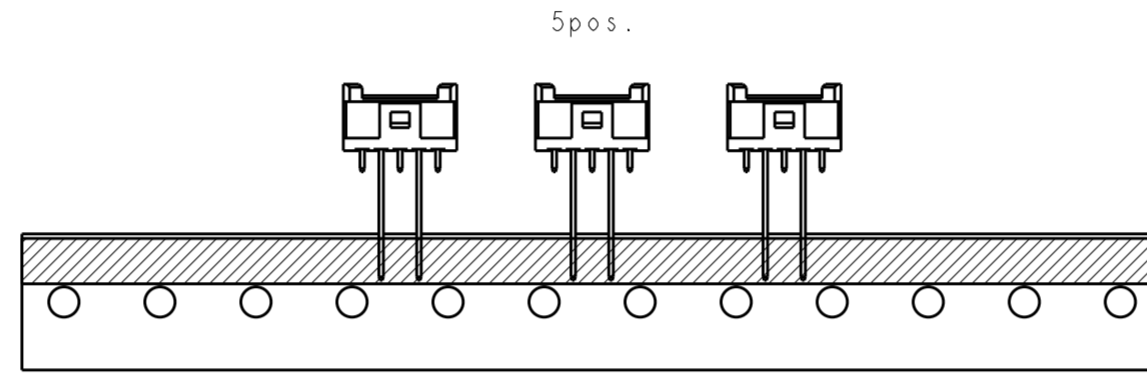
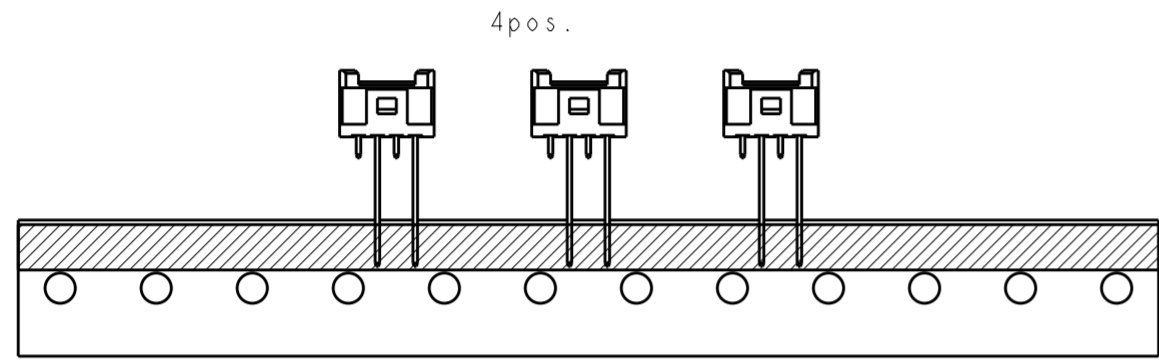
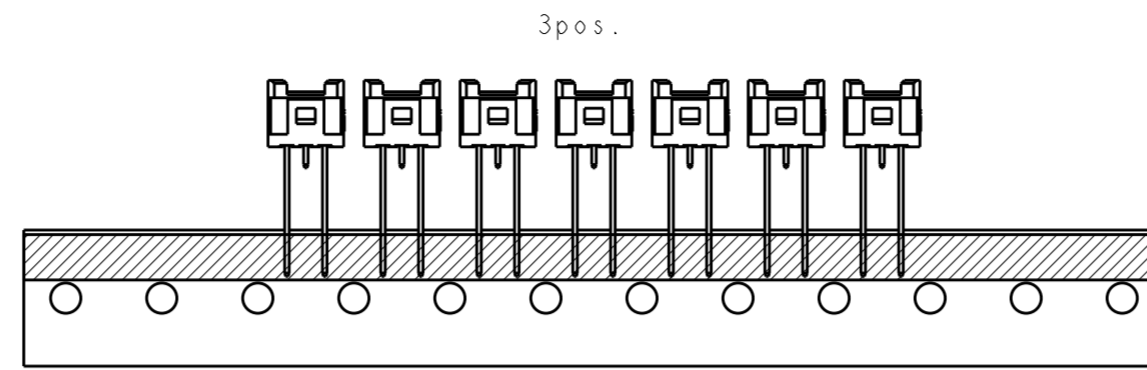
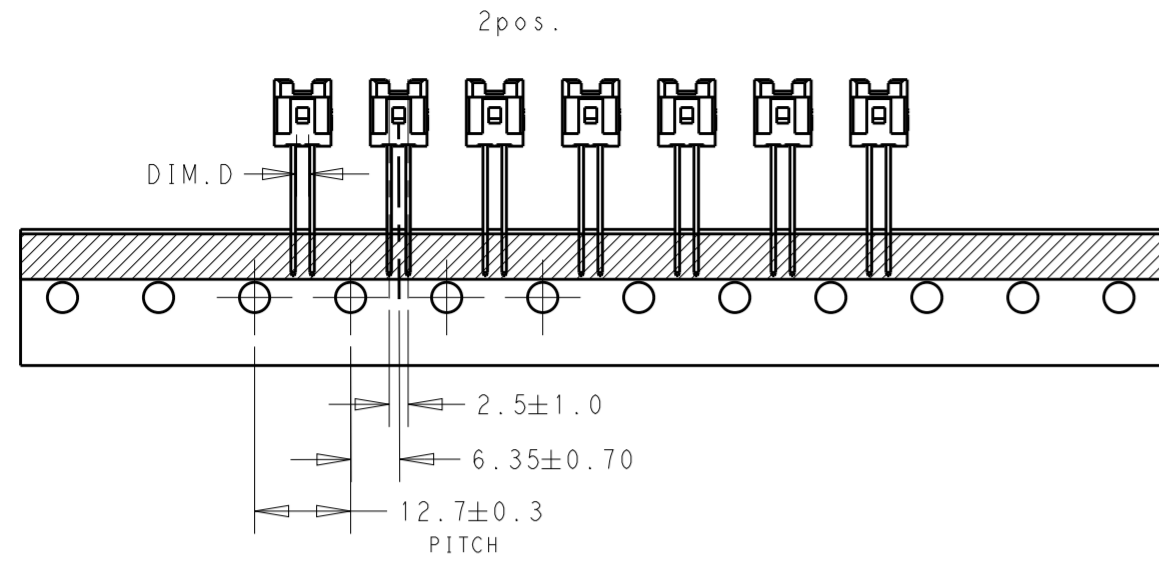
NO.	NAME	MATERIAL
①	HDR HOUSING	THERMOPLASTIC, UL94V-0
②	POST CONTACT	BRASS, NICKEL UNDER PLATING, TIN PLATING ON PIN AREA
③	RADIAL PIN	
④	RADIAL TAPE	THERMAL PAPER
⑤	BACKING PAPER	CRAFT PAPER

THIS DRAWING IS A CONTROLLED DOCUMENT.

DIMENSIONS: mm	TOLERANCES UNLESS OTHERWISE SPECIFIED:	DWN: OTTO CHEN 15FEB2016	TE Connectivity
		CHK: DANIEL 16FEB2016	
		APVD: DANIEL 16FEB2016	
		NAME: DANIEL 16FEB2016	
MATERIAL: SEE TABLE 1	0 PLC ±0.50 1 PLC ±0.30 2 PLC ±0.20 3 PLC ± 4 PLC ± ANGLES ± FINISH ±	PRODUCT SPEC: 108-2418 APPLICATION SPEC: 114-13315 WEIGHT: -	NAME: HEADER ASSEMBLY, VERTICAL ECONOMY POWER, 2.5mm CENTERLINE TAPING VERSION SIZE: A2 CAGE CODE: 00779 DRAWING NO: C-2299683 RESTRICTED TO: -
		CUSTOMER DRAWING	SCALE: 1:1 SHEET 1 OF 2 REV: A1

THIS DRAWING IS UNPUBLISHED. RELEASED FOR PUBLICATION
 © COPYRIGHT copyright.d8Te- ALL RIGHTS RESERVED.

REVISIONS					
P	LTR	DESCRIPTION	DATE	DWN	APVD
-	-	SEE SHEET 1	-	-	-



B	450	2.50	17.50	20.83	22.50	8	2299683-8	1-2299683-8	2-2299683-8	3-2299683-8	4-2299683-8	5-2299683-8
B	450	2.50	15.00	18.33	20.00	7	2299683-7	1-2299683-7	2-2299683-7	3-2299683-7	4-2299683-7	5-2299683-7
B	450	2.50	12.50	15.83	17.50	6	2299683-6	1-2299683-6	2-2299683-6	3-2299683-6	4-2299683-6	5-2299683-6
B	450	2.50	10.00	13.33	15.00	5	2299683-5	1-2299683-5	2-2299683-5	3-2299683-5	4-2299683-5	5-2299683-5
B	450	2.50	7.50	10.83	12.50	4	2299683-4	1-2299683-4	2-2299683-4	3-2299683-4	4-2299683-4	5-2299683-4
A	900	2.50	5.00	8.33	10.00	3	2299683-3	1-2299683-3	2-2299683-3	3-2299683-3	4-2299683-3	5-2299683-3
A	900	1.60	2.50	5.83	7.50	2	2299683-2	1-2299683-2	2-2299683-2	3-2299683-2	4-2299683-2	5-2299683-2
A	900	0.85	2.50	5.83	7.50	2	2299683-1	1-2299683-1	2-2299683-1	3-2299683-1	4-2299683-1	5-2299683-1
TAPING STYLE	QTY	DIM.D	DIM.C	DIM.B	DIM.A	POS.	PART NO (NATURAL COLOR)	PART NO (RED COLOR)	PART NO (BLUE COLOR)	PART NO (BLACK COLOR)	PART NO (YELLOW COLOR)	PART NO (GREEN COLOR)

THIS DRAWING IS A CONTROLLED DOCUMENT.

DWN: OTIO CHEN 15FEB2016
 CHK: DANIEL 16FEB2016
 APVD: DANIEL 16FEB2016

STC TE Connectivity

NAME: HEADER ASSEMBLY, VERTICAL ECONOMY POWER, 2.5mm CENTERLINE TAPING VERSION

PRODUCT SPEC: 108-2418
 APPLICATION SPEC: 114-13315

SIZE: A2 CAGE CODE: 00779 DRAWING NO: C-2299683

RESTRICTED TO: -

MATERIAL: SEE TABLE 1

WEIGHT: -

CUSTOMER DRAWING

SCALE: 1:1 SHEET 2 OF 2 REV A1

Mouser Electronics

Authorized Distributor

Click to View Pricing, Inventory, Delivery & Lifecycle Information:

TE Connectivity:

[1-2299683-4](#) [2299683-6](#) [2299683-4](#) [1-2299683-7](#) [2-2299683-6](#) [4-2299683-3](#) [1-2299683-3](#) [2299683-5](#) [4-2299683-7](#) [1-2299683-8](#) [4-2299683-2](#) [3-2299683-7](#) [1-2299683-6](#) [3-2299683-4](#) [4-2299683-5](#) [2299683-3](#) [4-2299683-1](#) [4-2299683-8](#) [2299683-2](#) [3-2299683-1](#) [2-2299683-7](#) [2299683-8](#) [2-2299683-3](#) [1-2299683-2](#) [2299683-1](#) [2-2299683-8](#) [4-2299683-6](#) [4-2299683-4](#) [3-2299683-5](#) [3-2299683-2](#) [3-2299683-6](#) [2-2299683-5](#) [2299683-7](#) [1-2299683-1](#) [1-2299683-5](#) [2-2299683-1](#) [3-2299683-8](#) [3-2299683-3](#) [2-2299683-4](#) [2-2299683-2](#)