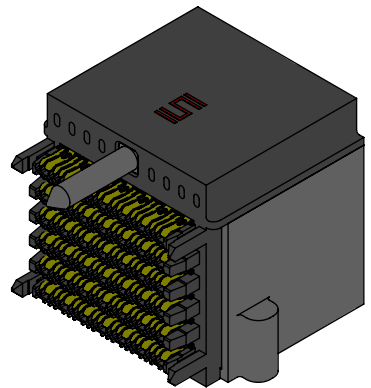


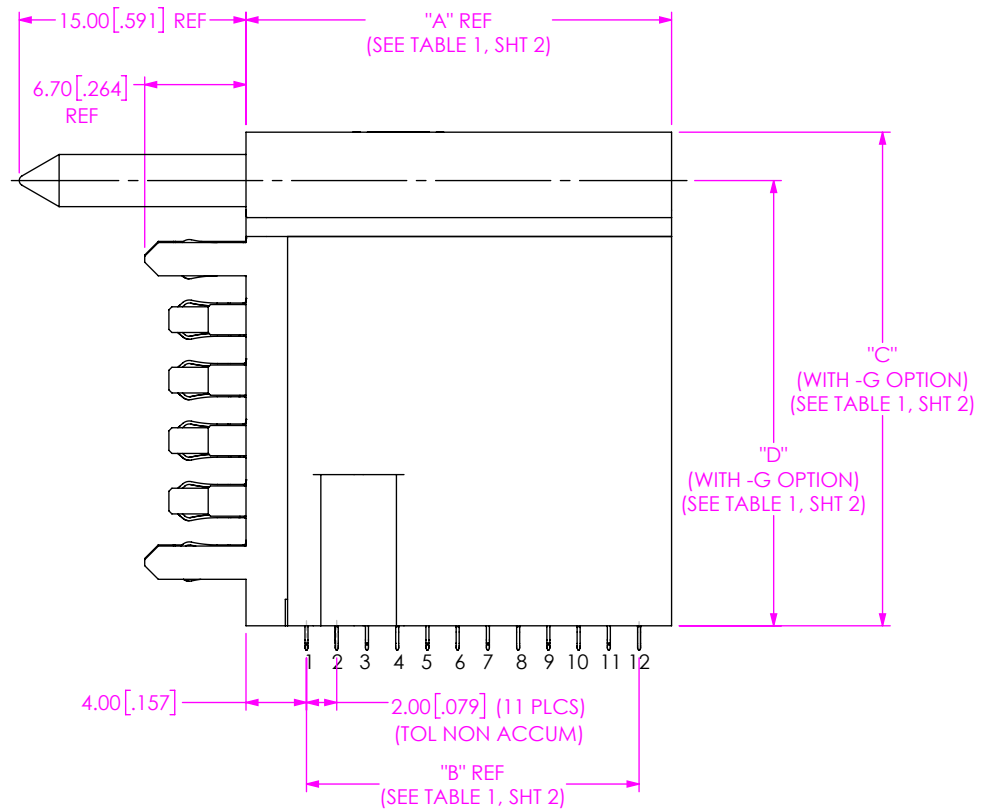
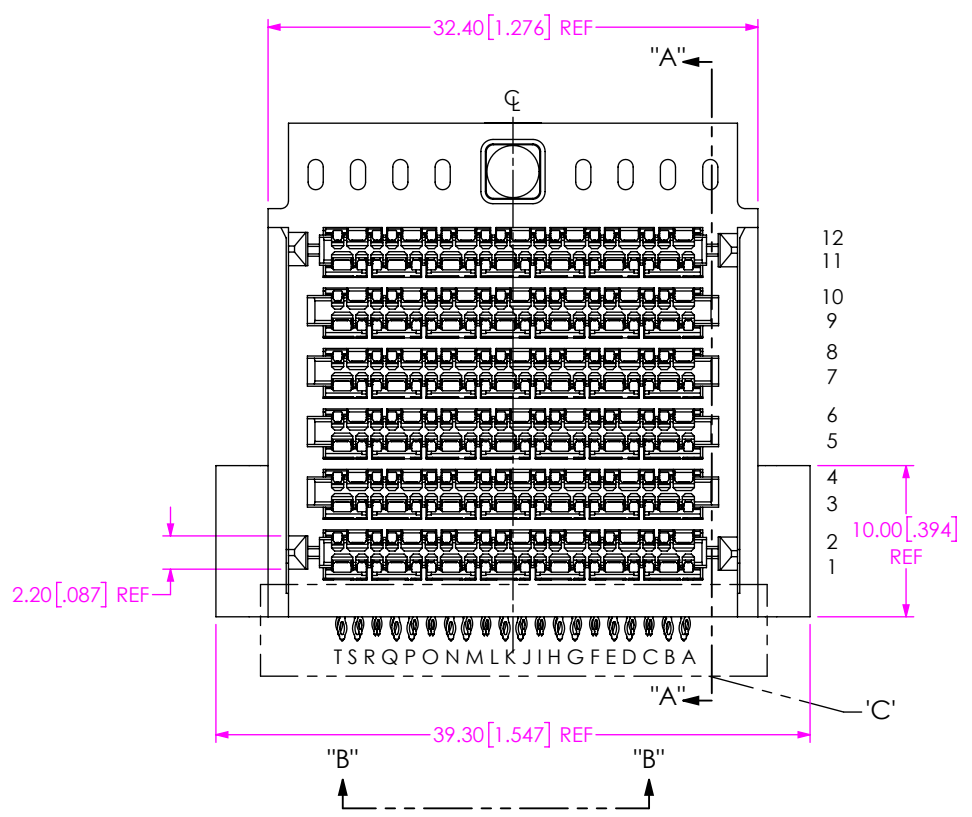
DO NOT SCALE FROM THIS PRINT



DESIGNED & DIMENSIONED IN MILLIMETERS [INCHES]

EBDM-6-XX-2.0-X-RA-X-X-X

No. OF PAIRS PER COLUMN -6  
 COLUMNS -06, -08, -10, -12, \*-14, \*-16  
 COLUMN PITCH -2.0: 2.0mm  
 PLATING SPECIFICATION -S: GOLD ON CONTACT AREA, MATTE TIN ON TAIL  
 MOUNTING BLANK: NONE, -S: SCREW MOUNT  
 GUIDANCE BLANK: NONE, -G: GUIDE PIN  
 PIN CONFIGURATION -1: STANDARD  
 ORIENTATION -RA: RIGHT ANGLE  
 (\* = NOT TOOLED)



NOTES:

1. MINIMUM PUSHOUT FORCE: 2.22N[.5 LB].
2. CONTACT SAMTEC FOR CONNECTOR PRESS FIT INSTRUCTIONS.
3. TRAYS TO BE STANDARD PACKAGING.
4. ALL ASSEMBLIES TO BE 100% ELECTRICALLY TESTED.
5. RECOMMENDED TO USE TRI-ROUNDULAR OR TRIBLOBULAR SHAPED M1.91 OR M2.0 THREAD FORMING SCREW DESIGNED FOR PLASTIC. SCREW LENGTH TO BE 4.0MM TO 8.0MM LONG PLUS BOARD THICKNESS.

FIG 1  
EBDM-6-12-2.0-X-RA-1-G-S SHOWN

PROPRIETARY NOTE  
 THIS DOCUMENT CONTAINS CONFIDENTIAL AND PROPRIETARY INFORMATION AND ALL DESIGN, MANUFACTURING, REPRODUCTION, USE, PATENT RIGHTS AND SALES RIGHTS ARE EXPRESSLY RESERVED BY SAMTEC, INC. THIS DOCUMENT SHALL NOT BE DISCLOSED, IN WHOLE OR PART, TO ANY UNAUTHORIZED PERSON OR ENTITY NOR REPRODUCED, TRANSFERRED OR INCORPORATED IN ANY OTHER PROJECT IN ANY MANNER WITHOUT THE EXPRESS WRITTEN CONSENT OF SAMTEC, INC.



520 PARK EAST BLVD., NEW ALBANY, IN 47150  
 PHONE: 812-944-6733 FAX: 812-948-5047  
 e-Mail: info@SAMTEC.com code 55322

MATERIAL: DO NOT SCALE DRAWING SHEET SCALE: 2.5:1  
 INSULATOR: LCP, UL 94-V0; COLOR: BLACK  
 CONTACT: COPPER ALLOY  
 SHIELD: COPPER ALLOY

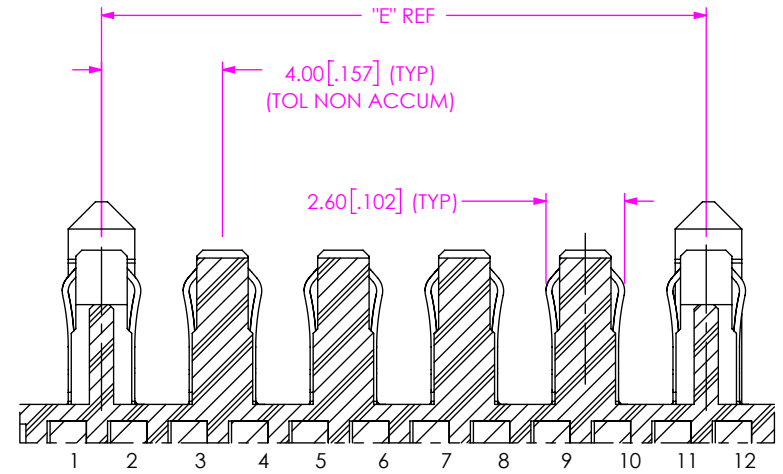
DESCRIPTION:  
EXAMAX? DIRECT MATE ORTHOGONAL ASSY  
 DWG. NO.  
EBDM-6-XX-2.0-X-RA-X-X-X  
 BY:KNOWL DEN 12/4/2015 SHEET 1 OF 3

REVISION E

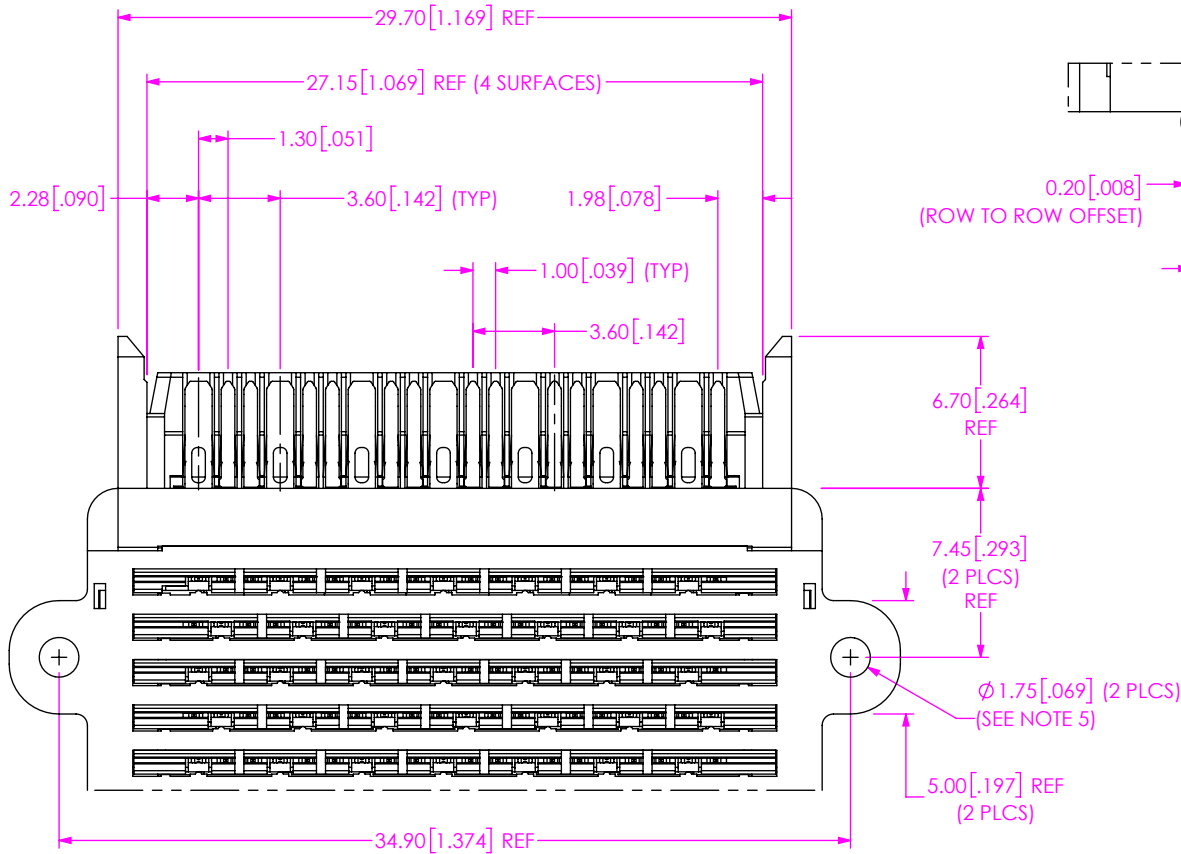
TABLE 1

ROWS	"A"	"B"	"C"	"C" WITH -G OPTION	"D" WITH -G OPTION	"E"
-06	16.15 [0.636]	10.00 [0.394]	15.00 [0.591]	20.65 [0.813]	17.45 [0.687]	8.00 [0.315]
-08	20.15 [0.793]	14.00 [0.551]	19.00 [0.748]	24.65 [0.970]	21.45 [0.844]	12.00 [0.472]
-10	24.15 [0.951]	18.00 [0.709]	23.00 [0.906]	28.65 [1.128]	25.45 [1.002]	16.00 [0.630]
-12	28.15 [1.108]	22.00 [0.866]	27.00 [1.063]	32.65 [1.285]	29.45 [1.159]	20.00 [0.787]
*-14	32.15 [1.266]	26.00 [1.024]	31.00 [1.220]	36.65 [1.443]	33.45 [1.317]	24.00 [0.945]
*-16	36.15 [1.423]	30.00 [1.181]	35.00 [1.378]	40.65 [1.600]	37.45 [1.474]	28.00 [1.102]

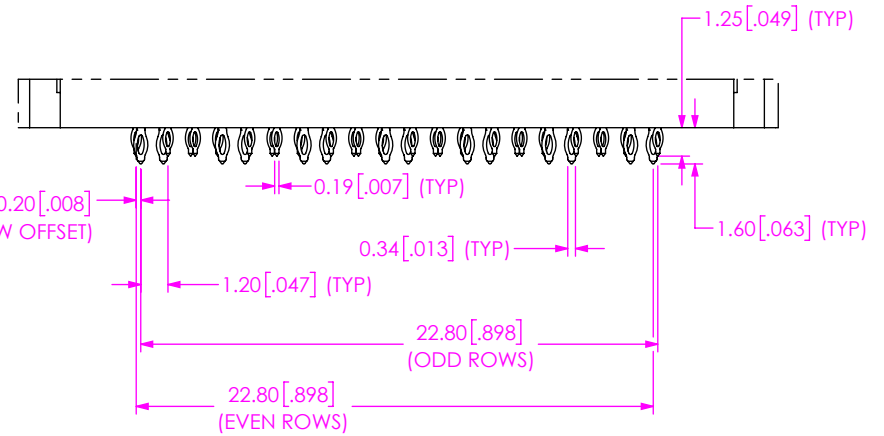
(\* = NOT TOOLED)



SECTION "A"-"A"  
SCALE 4 : 1  
(ROTATED 90° CW)



DETAIL 'C'  
SCALE 3 : 1



PROPRIETARY NOTE  
THIS DOCUMENT CONTAINS CONFIDENTIAL AND PROPRIETARY INFORMATION AND ALL DESIGN, MANUFACTURING, REPRODUCTION, USE, PATENT RIGHTS AND SALES RIGHTS ARE EXPRESSLY RESERVED BY SAMTEC, INC. THIS DOCUMENT SHALL NOT BE DISCLOSED, IN WHOLE OR PART, TO ANY UNAUTHORIZED PERSON OR ENTITY NOR REPRODUCED, TRANSFERRED OR INCORPORATED IN ANY OTHER PROJECT IN ANY MANNER WITHOUT THE EXPRESS WRITTEN CONSENT OF SAMTEC, INC.

DO NOT SCALE DRAWING

VIEW "B"-"B"  
SCALE 3 : 1

**samtec**  
520 PARK EAST BLVD, NEW ALBANY, IN 47150  
PHONE: 812-944-6733 FAX: 812-948-5047  
e-Mail info@SAMTEC.com code 55322

DESCRIPTION:  
EXAMAX® DIRECT MATE ORTHOGONAL ASSY  
DWG. NO.  
EBDM-6-XX-2.0-X-RA-X-X-X  
BY: KNOWLDEN 12/4/2015 SHEET 2 OF 3

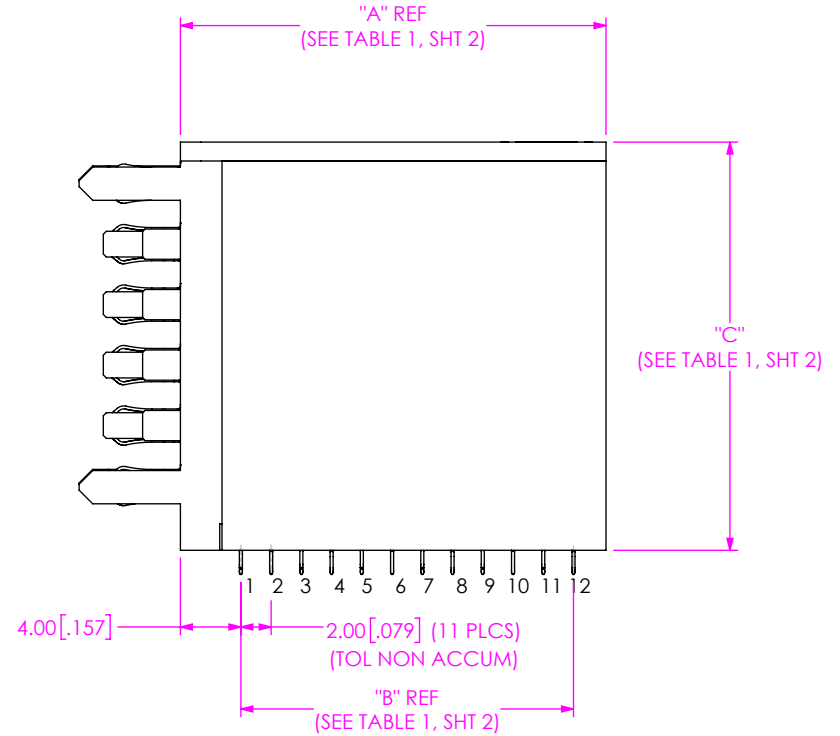
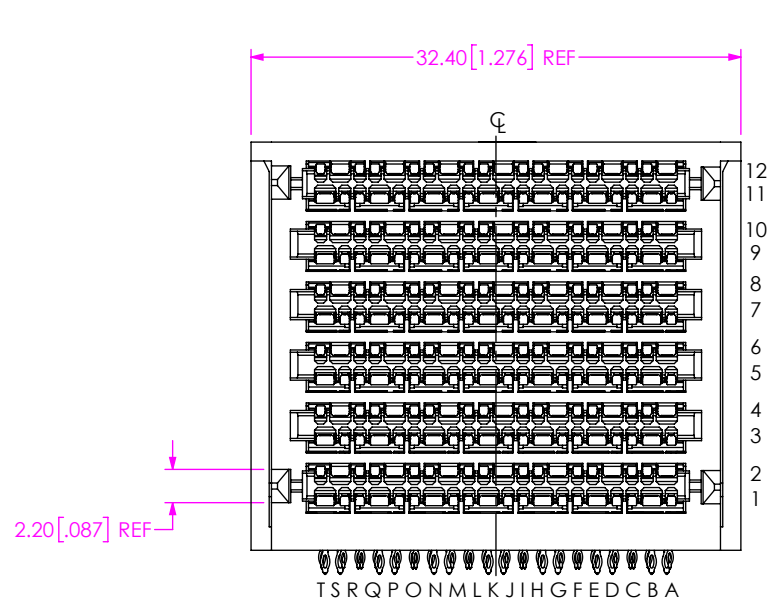
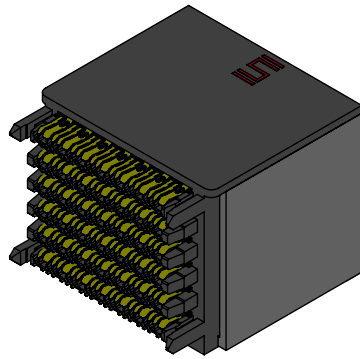


FIG 2  
EBDM-6-12-2.0-X-RA-1 SHOWN  
(NO GUIDANCE, NO SCREW MOUNTS)  
(SAME AS FIG 1, EXCEPT AS SHOWN)

**PROPRIETARY NOTE**  
THIS DOCUMENT CONTAINS CONFIDENTIAL AND PROPRIETARY INFORMATION AND ALL DESIGN, MANUFACTURING, REPRODUCTION, USE, PATENT RIGHTS AND SALES RIGHTS ARE EXPRESSLY RESERVED BY SAMTEC, INC. THIS DOCUMENT SHALL NOT BE DISCLOSED, IN WHOLE OR PART, TO ANY UNAUTHORIZED PERSON OR ENTITY NOR REPRODUCED, TRANSFERRED OR INCORPORATED IN ANY OTHER PROJECT IN ANY MANNER WITHOUT THE EXPRESS WRITTEN CONSENT OF SAMTEC, INC.

DO NOT SCALE DRAWING

SHEET SCALE: 3:1



520 PARK EAST BLVD, NEW ALBANY, IN 47150  
PHONE: 812-944-6733 FAX: 812-948-5047  
e-Mail info@SAMTEC.com code 55322

DESCRIPTION:  
EXAMAX? DIRECT MATE ORTHOGONAL ASSY

DWG. NO.  
EBDM-6-XX-2.0-X-RA-X-X-X

BY: KNOWLDEN 12/4/2015 SHEET 3 OF 3