

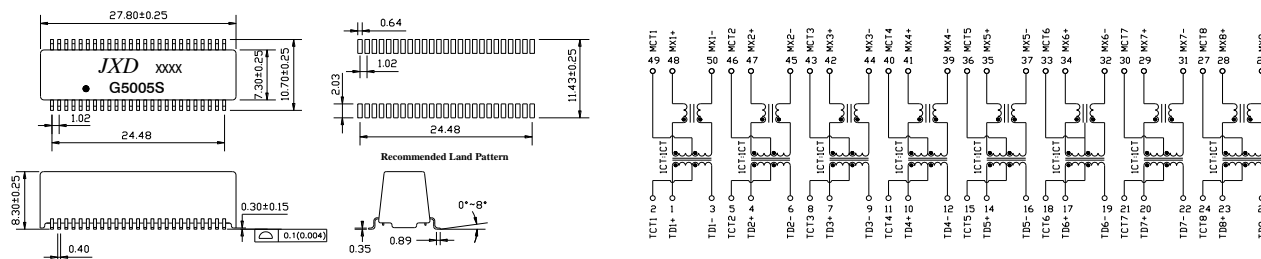
# G5005S

## 100/1000M Double Port Transformer Module

1. Designed for long haul Gigabit Ethernet 1000 Base-T, full duplex applications.
2. Supports four pairs of category 5 UTP cable.
3. Low profile Surface Mount Packaging designed for Hi-Temp Reflow Process
4. Compliant with IEEE 802.3ab standard for 1000 Base-Tesigned to support 1:1 Turns Ratio Transceivers.
5. Operating Temperature range: 0°C TO +70°C
6. Storage temperature range: -25°C TO +125°C



### DIMENSIONS & SCHEMATICS

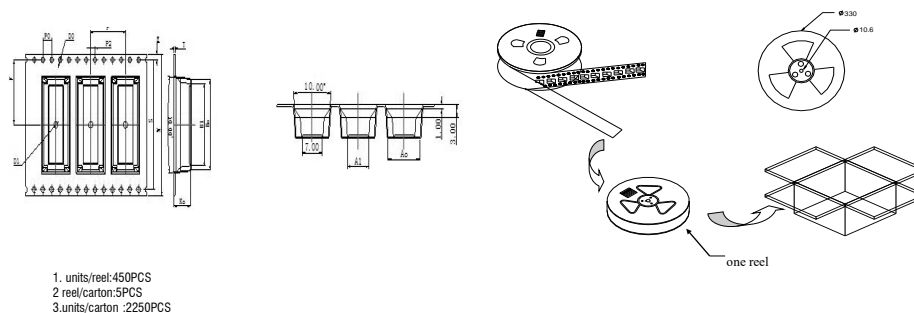


**Note:** 1. Dimension: mm, 2. Unless otherwise specified, tolerances are:  $\pm 0.15$ mm

### TECHNICAL SPECIFICATIONS

OCL :	350 $\mu$ H Min. @ 100 KHz, 100mV with 8mA DC Bias
Leakage	0.5 $\mu$ H Max. @ 100KHz, 0.1V
Inductance: Cw/w:	28pF Max. @ 100KHz, 0.1V
DCR:	1.20 $\Omega$ Max.
Turns Ratio( $\pm 5\%$ ):	1CT:1CT(TX), 1CT:1CT(RX)
Polarity:	1-48, 4-45, 7-42, 10-39, 14-37, 17-34, 20-31, 23-28 In-Phase
Insertion Loss:	-1.0 dB Max. @ 1-100MHz
Return Loss:	-18 dB Min. @ 0.5-30MHz -14.4 dB Min. @ 40 MHz -13.1dB Min. @ 50MHz -12dB Min. @ 60-80MHz -10 dB Min. @ 100MHz
Cross Talk:	-45 dB Min. @ 30 MHz -40 dB Min. @ 60 MHz -35 dB Min. @ 100MHz
Common Mode Rejection :	-43 dB Min. @ 1-30 MHz -37 dB Min. @ 60 MHz -33 dB Min. @ 100 MHz
Isolation HI-POT:	1500Vrms 1mA 1Second

### PACKING SPECIFICATION



1. units/reel:450PCS
- 2 reel/carton:5PCS
- 3.units/carton :2250PCS

Shenzhen magnetic Lianda Electronics Co., LTD

Address: 505, West Block, No. 221, Niucheng Road, Niucheng Village, Baiwang Community, Xili Street, Nanshan District, Shenzhen

E-mail: sales1@cd-tek.com 0755-27652992 29016433 Website:www.cd-tek.com