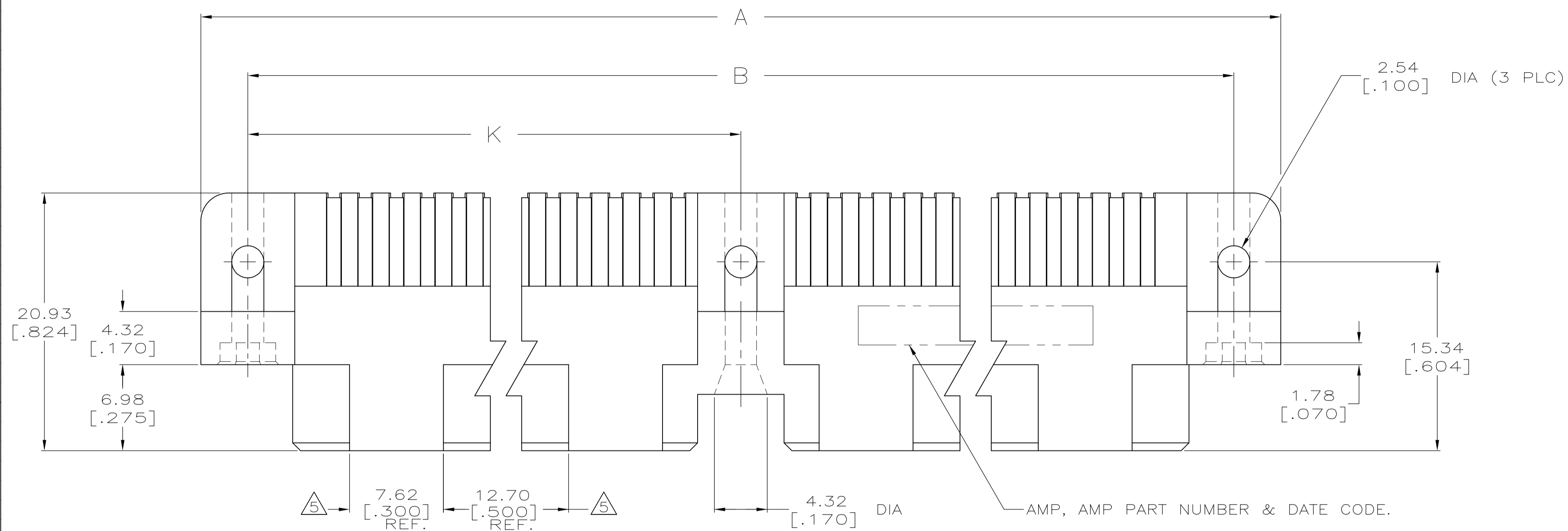
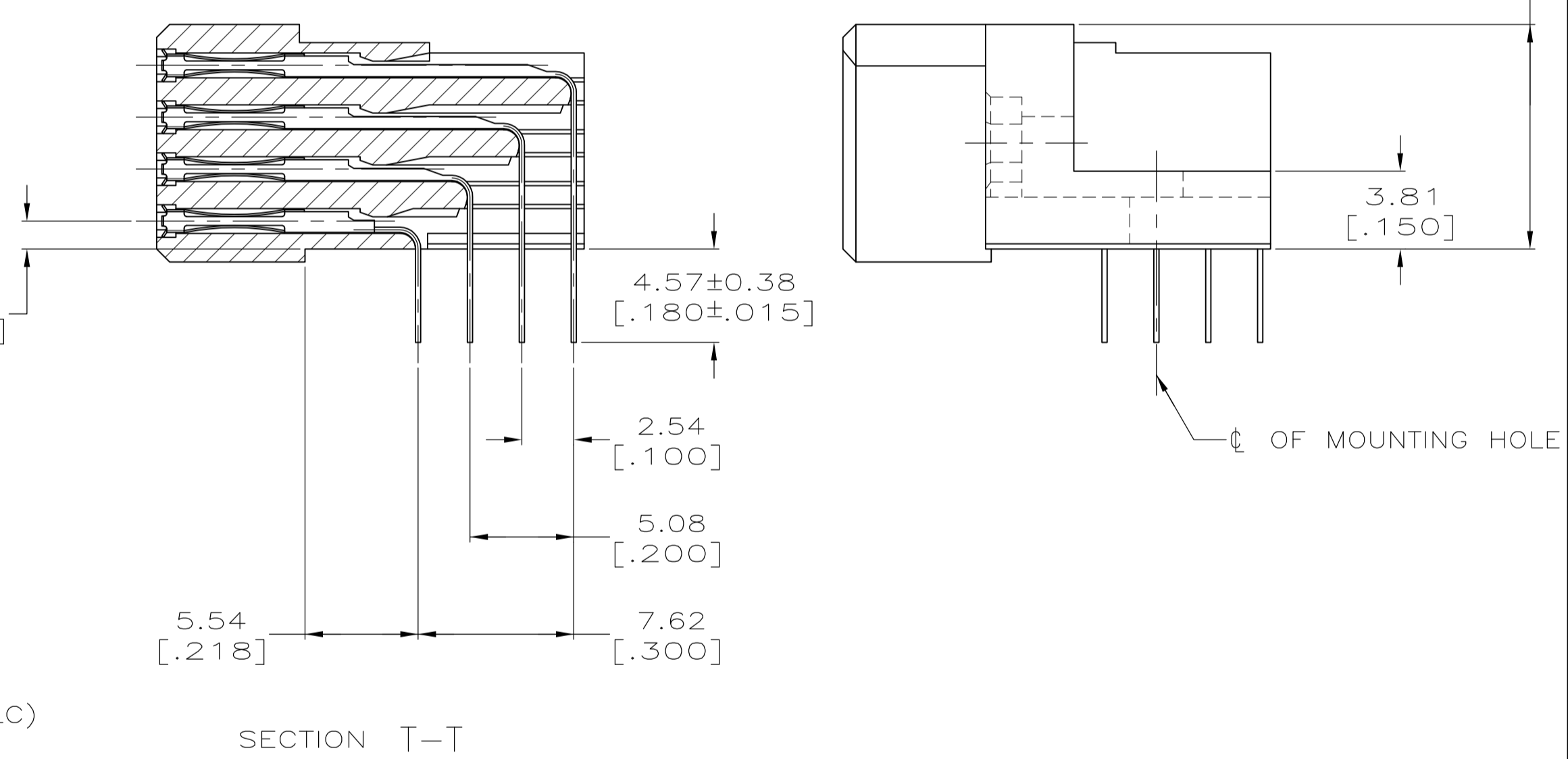
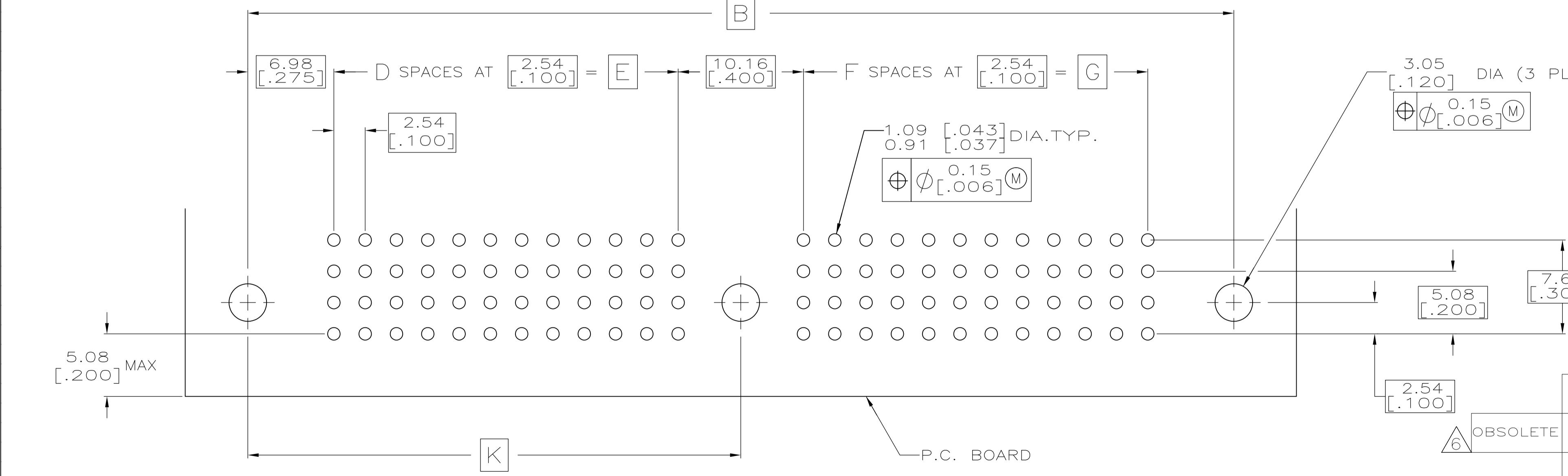
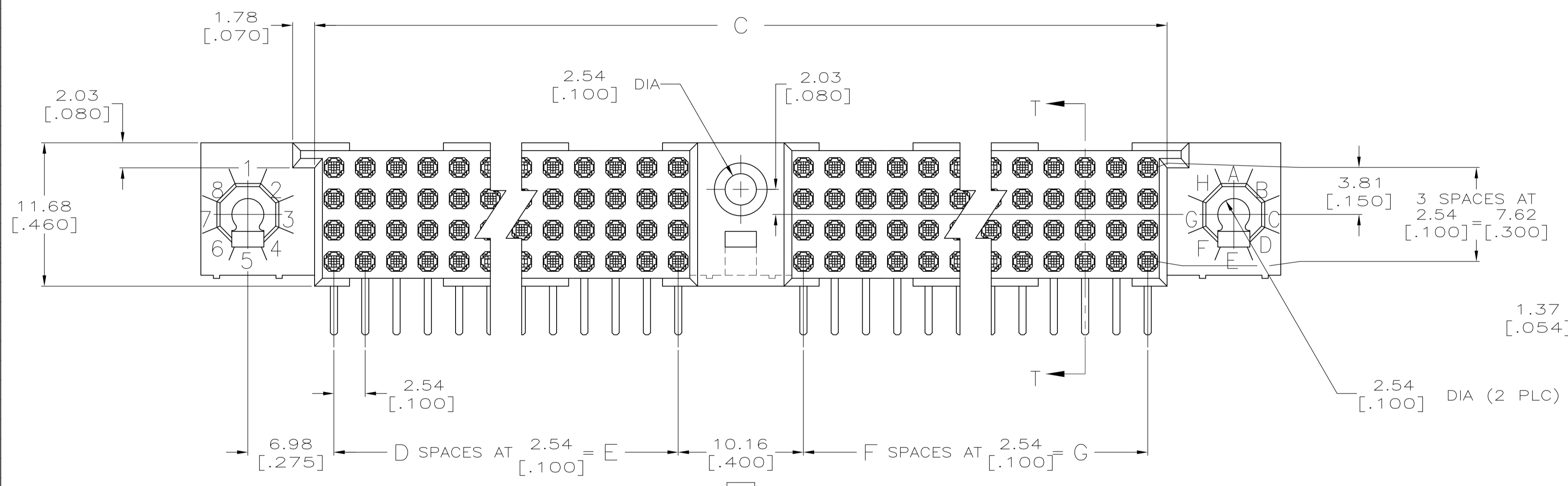


LOC		DIST		REVISIONS			
AD	25	REV	DATE	BY	CHKD	APVD	
0		RELEASE PER EC 0512-0034-05	10JUN05	JDP	AMS		
01		REVISED PER ECO-09-024606	02NOV09	KK	AEG		



- ① HOUSING MATERIAL: THERMOPLASTIC.
- ② CONTACT MATERIAL: COPPER ALLOY.
- ③ CONTACT FINISH: .00127-.00254 [.000050-.000100] NICKEL UNDERPLATE ALL OVER; .00076 [.000030] GOLD PLATE IN CONTACT AREA, TIN PLATED SOLDER TAILS.
- ④ SOLDER TAILS MUST FIT HOLE PATTERN AS SHOWN ON THE RECOMMENDED P.C. BOARD LAYOUT.
- ⑤ QUANTITIES OF VOID CORING ARE DEPENDENT ON THE POSITION SIZE OF THE HOUSING.
- ⑥ OBSOLETE PARTS: OBSOLETE CIS STREAMLINING PER D.RENAUD/D.SINISI



	K	G	F	E	D	C	B	A	POSN	PART NUMBER
149.22	137.16	54	137.16	54	287.63	298.45	306.07	440	5532920-6	
[5.875]	[5.400]		[5.400]		[11.324]	[11.750]	[12.050]			
141.60	129.54	51	129.54	51	272.39	283.21	290.83	416	5532920-5	
[5.575]	[5.100]		[5.100]		[10.724]	[11.150]	[11.450]			

RECOMMENDED P.C. BOARD LAYOUT ④

THIS DRAWING IS A CONTROLLED DOCUMENT.

DIMENSIONS: mm [INCHES]	TOLERANCES UNLESS OTHERWISE SPECIFIED:	DIN J. POLIGNONE 10JUN05	Tyco Electronics Corporation AMP Incorporated Harrisburg, Pa 17105-3608
0 PLC ± -	1 PLC ± -	CIK A. SHARPE 10JUN05	
2 PLC ± 0.13[.005]	3 PLC ± -	APVD A. SHARPE 10JUN05	NAME ASSEMBLY, RECEPTACLE, RIGHT ANGLE, HDI, LEAD-FREE, 4 ROW, CENTER GUIDE, 4.57[.180] SOLDER POSTS
4 PLC ± -	ANGLES ± -	PRODUCT SPEC	
MATERIAL ①②	FINISH ③	APPLICATION SPEC	SIZE A1
CUSTOMER DRAWING		WEIGHT	SCALE 4:1
		DRAWING NO. 00779	SHEET 1 OF 1
		REV 01	

# Mouser Electronics

Authorized Distributor

Click to View Pricing, Inventory, Delivery & Lifecycle Information:

[TE Connectivity:](#)

[5532920-6](#)