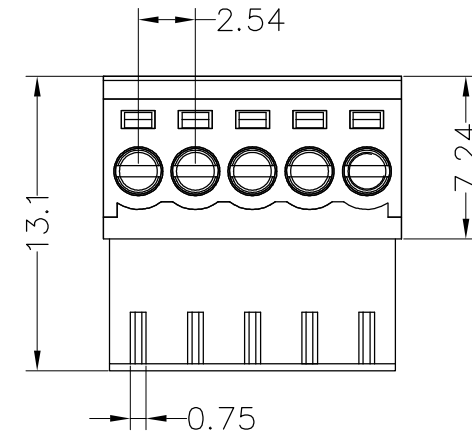
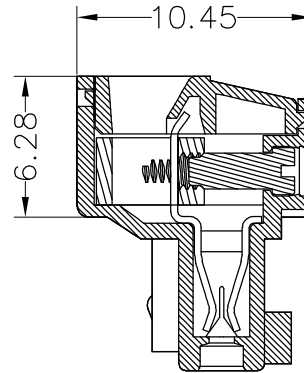




SPECIFICATIONS

Rated(额定参数): 125V,4A
 Dielectric strength(抗电强度): AC1500V/1 Minute
 Insulation Resistance(绝缘电阻):1000MΩ Min
 Contact Resistance(接触电阻):20mΩ Max
 Screw Torque(扭矩): 0.1Nm (0.9Lb.in)
 Wire Range(线径):28~20AWG
 Strip length(剥线长度):5~6mm
 Temp. range(操作温度): -40℃~+105℃
 MAX Soldering(瞬时温度):+250℃,5s

Housing Material(塑件): PA66 (UL94 V-0)
 Contact(端子): Brass, Tin plating(黄铜镀镍)
 Clamp(方块): Brass/Steel(铜/铁), Ni plating(镀镍)
 Screw (螺丝): M2, Steel, Zinc plating(钢,镀锌)

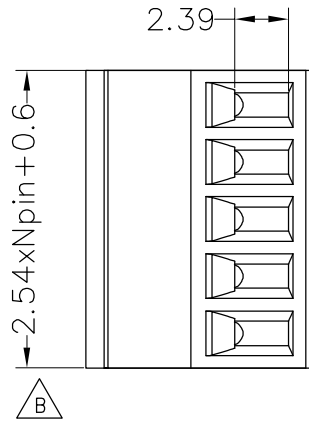


| PITCH RANGE IN MM | | | NOMINAL DIMENSION RANGE IN MM | | | | |
|----------------------|---------|----------|----------------------------------|----------|-----------|------------|-------|
| TO | OVER | OVER | TO | OVER | OVER | OVER | OVER |
| 6 | 6 TO 10 | 10 TO 24 | 30 | 30 TO 60 | 60 TO 100 | 100 TO 150 | 150 |
| ±0.10 | ±0.15 | ±0.25 | ±0.30 | ±0.30 | ±0.50 | ±0.70 | ±1.00 |

Ordering Information

JL15EDGY - 254 XX X X 1

Pitch 254=2.54PH
 No.of pins 2P,3P,4P~24P
 Housing Color
 B=Black
 G=Green
 U=Blue
 R=Red
 W=White
 Y=Yellow
 O=Orange
 E=Grey
 Packing
 0=Pe bag
 T=Tube
 A=Tray



| | | | | | | | | | | | | |
|-----|------------|--------------------------|--------|--|------------------------|---------|-----------|----------|-------|--|----------|---|
| | | | | | OPERATION | | | SCALE | FIT | JILN ® 深圳市锦凌电子有限公司 SHENZHEN JINLING ELECTRONIC CO.,LTD Tel: 86-755-2997-5806/5802 Fax: 86-755-2997-5992 | | |
| | | | | | X.X ±0.30 | DRAW | yiyusheng | 19.01.11 | UNIT | | | mm |
| B | 2019.01.11 | Change Size | | | X.XX ±0.20 | CHECK | | | SIZE | A4 | PART NO. | JL15EDGY-254XXXX1 |
| A0 | 2017.03.10 | NEW DRAWING | | | X.XXX ±0.10 | APPROVE | | | SHEET | 1/1 | TITLE: | 2.54 Pitch Female Pluggable Terminal Blocks |
| REV | DATE | MODIFICATION DESCRIPTION | CHANGE | | Angle ±3° | | | | PROJ. | | | |
| | | | | | DIM TOL | | | | | | | |

1 2 3 4 5 6 7 8 9