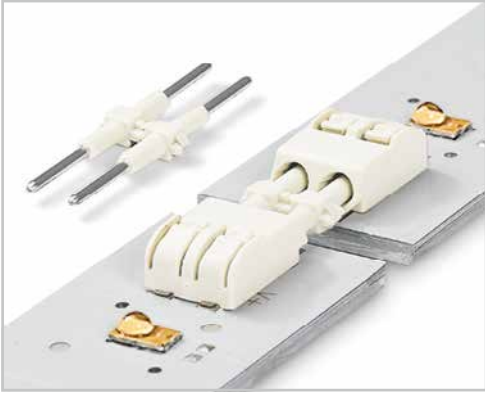


## Board-to-Board Links for SMD PCB Terminal Blocks with Push-Buttons, 0.75 mm<sup>2</sup>, Pin Spacing: 4 mm, 8 mm 2060 Series



- Board-to-board link simplifies in-line assembly of LED modules
- Easy push-in termination and disconnection without push-button actuation

**Technical data:**

Pin Spacing	4 mm 0.157 in.			8 mm 0.314 in.			
	IEC/EN 60664-1			IEC/EN 60664-1			
Ratings per	III	III	II	III	III	II	
Overvoltage category	3	2	2	3	2	2	
Pollution degree	63 V	160 V	320 V	400 V	630 V	1000 V	
Rated voltage	2.5 kV	2.5 kV	2.5 kV	6 kV	6 kV	6 kV	
Rated surge voltage	9 A	9 A	9 A	9 A	9 A	9 A	
Nominal current	UL/CSA			UL/CSA			
Approvals per	250 V			600 V			
Rated voltage	9 A			9 A			
Nominal current UL							

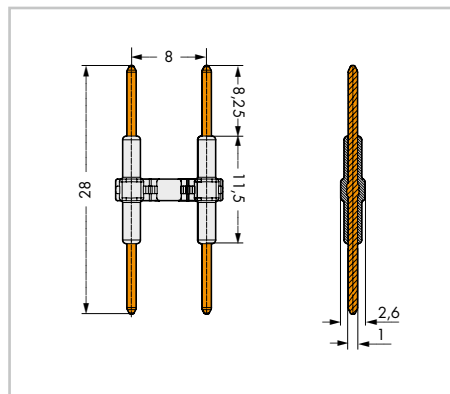
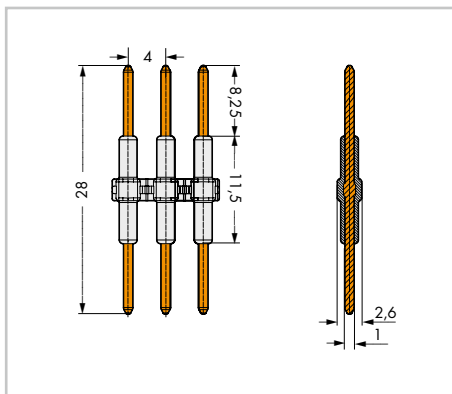
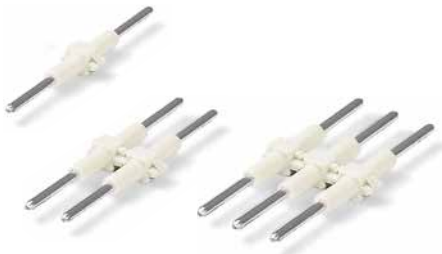
**Material data:**

Material group	I
Insulating material	Polyamide 6.6 (PA 6.6)
Flammability class per UL 94	V0
Lower/Upper limit temperature	-60 °C / +105 °C
Contact material	Copper alloy
Contact plating	Silver-plated

# Board-to-Board Links for SMD PCB Terminal Blocks with Push-Buttons, 0.75 mm<sup>2</sup>

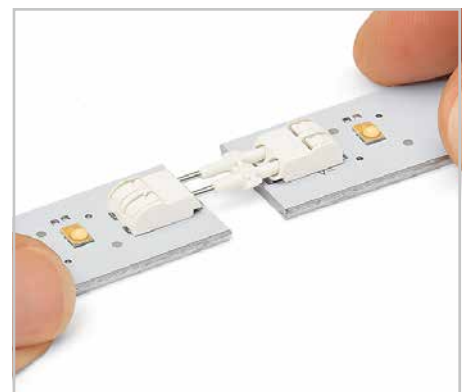
PUSH-IN CAGE CLAMP®

Pin spacing: 4 mm / 0.157 in.		Pin spacing: 8 mm / 0.314 in.	
160 V/2.5 kV/2 9 A	250 V/9 A	630 V/6 kV/2 9 A	600 V/9 A

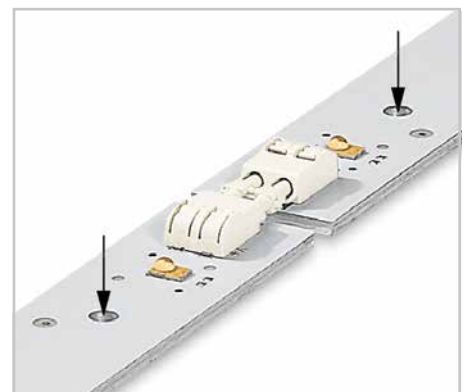
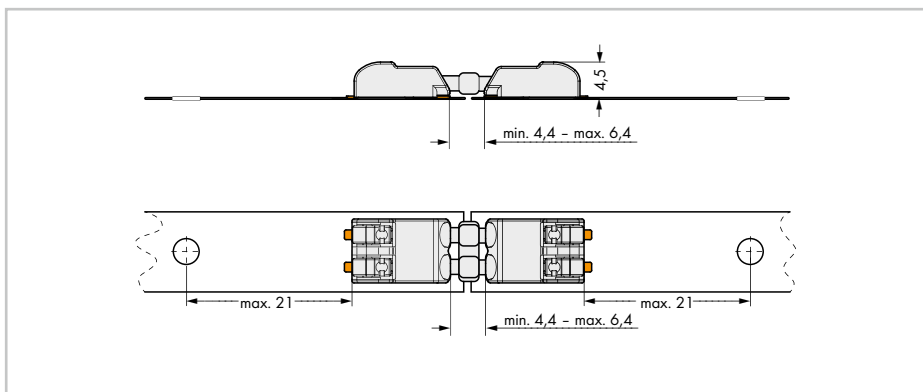


Inserting board-to-board link into PCB terminal block.

Pole No.	Item No.	Pack. Unit	Pole No.	Item No.	Pack. Unit
Board-to-board link for SMD PCB terminal blocks with push-buttons, white			Board-to-board link for SMD PCB terminal blocks with push-buttons, white		
1	2060-951/028-000	1500			
2	2060-952/028-000	500	2	2060-962/028-000	375
3	2060-953/028-000	375			
4	2060-954/028-000	250			



Assembly: Place PCBs on a flat surface and insert links into PCB terminal blocks on adjoining PCBs. Disassembly: Pull PCBs apart. (max. 10 connections/disconnections)



The PCBs must be secured (see figure left).