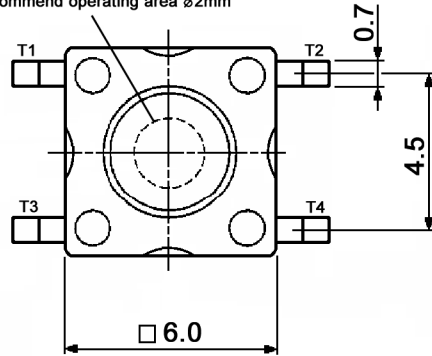


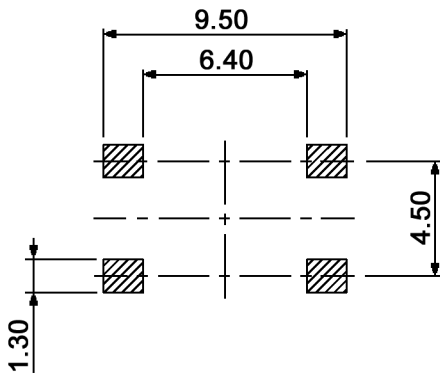
4x **A** common tolerances zone

$\square \pm 0.1$

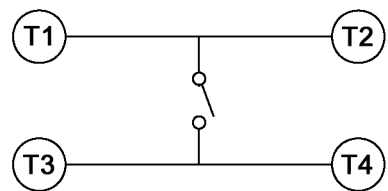
Recommend operating area $\varnothing 2\text{mm}$



P.C.B. LAYOUT



CIRCUIT DIAGRAM



Compliance: RoHS III (2015/863/EU)

Tolerances: up to 10: $\pm 0.2\text{mm}$ above 10-50: $\pm 0.3\text{mm}$		Date	Name
Rating	03/24	dr	
Rename	12/15	dr	
Rename	05/15	dr	
Rivet height	10/09	dr	
Actuator	12/07	dr	
Material	12/07	dr	
Packaging	03/07	dr	
Soldering conditions	08/06	rmg	
Part number	04/06	dr	
Modifications	Date	Name	

TSS 61 x

knitter-switch

30 07 40

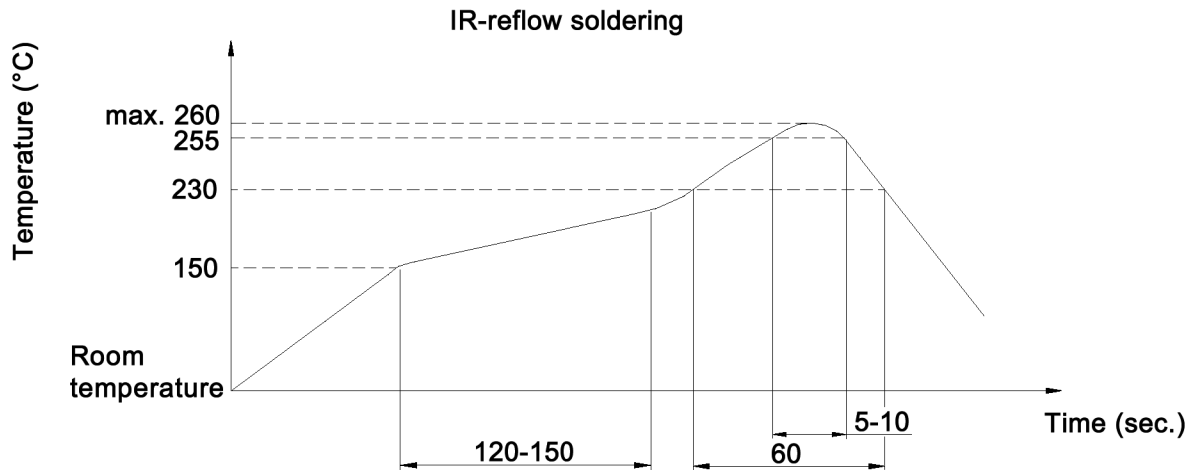
Page

1/3

Specifications:

Contact rating: max.: 50mA, 50V DC
Contact resistance: 100mOhm max.
Insulation resistance: 100MOhm min. at 100V DC for 1 minute
Dielectric strength: 250V AC (50/60Hz) for 1 minute
Operating temperature: -40°C to +85°C
Storage temperature: -40°C to +85°C
Material: Stem: high-temp. thermoplastic UL94V-0
 Base: high-temp. thermoplastic UL94V-0, black
 Contact: phosphor bronze, silver plated
 Terminals: brass, silver plated
 Cover: stainless steel

Soldering conditions:

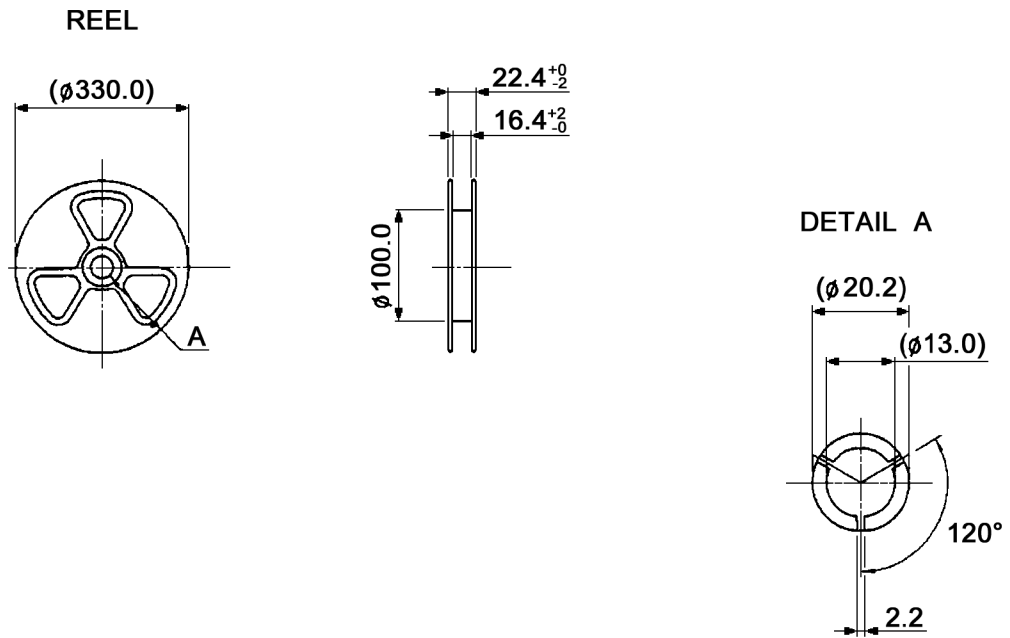


x	Operating force	Mechanical life	Stem color
K	1.0 +/-0.3 N	150 000 cycles	black
N	1.6 +/-0.5 N	150 000 cycles	brown
R	2.5 +/-0.7 N	150 000 cycles	red
S	3.2 +/-0.7 N	100 000 cycles	salmon
Y	5.2 +/-1.3 N	50 000 cycles	yellow

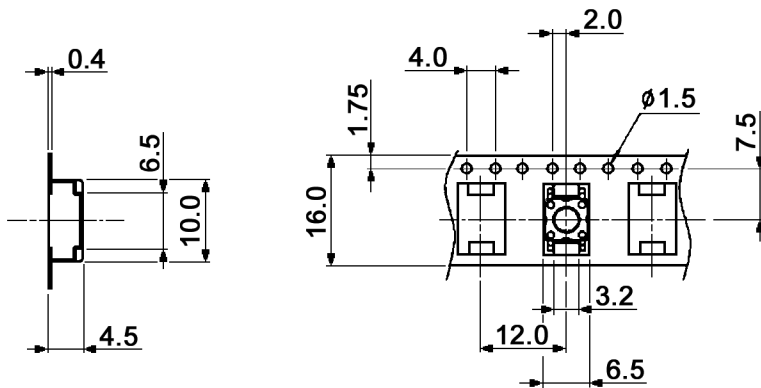
Compliance: RoHS III (2015/863/EU)

Tolerances: up to 10: ±0.2mm above 10-50: ±0.3mm		Date 12/05	Name dr	<h1>TSS 61 x</h1>
Rating	03/24 dr			
Rename	12/15 dr			
Rename	05/15 dr			
Rivet height	10/09 dr			
Actuator	12/07 dr			
Material	12/07 dr			
Packaging	03/07 dr			
Soldering conditions	08/06 rmg	knitter-switch		<h2>30 07 40</h2>
Part number	04/06 dr			
Modifications	Date	Name		

Packaging:



CARRIER TAPE



COVER TAPE



Packaging unit: 1 000 pcs. / reel
 Compliance: RoHS III (2015/863/EU)

Tolerances: up to 10: ±0.2mm above 10-50: ±0.3mm			Date	Name
Rating	03/24	dr	12/05	dr
Rename	12/15	dr		
Rename	05/15	dr		
Rivet height	10/09	dr		
Actuator	12/07	dr		
Material	12/07	dr		
Packaging	03/07	dr		
Soldering conditions	08/06	rmg		
Part number	04/06	dr		
Modifications	Date	Name		

TSS 61 x

knitter-switch

30 07 40

Page

3/3