

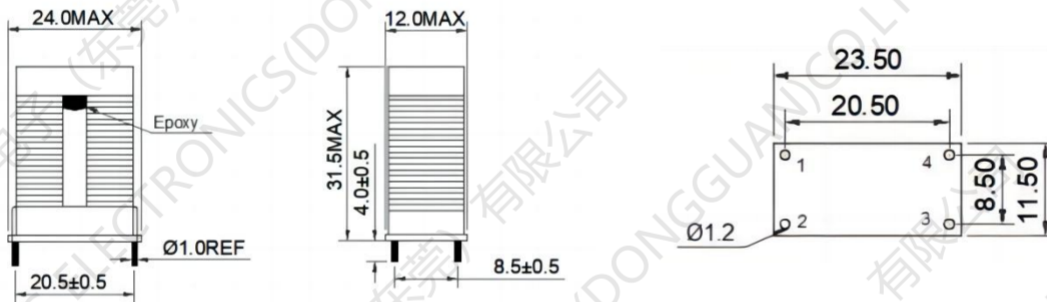
Common Mode Power line Choke FC-DLSF3020-2.0mH-25A-LF

Features:

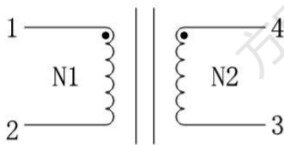
1. High current common mode choke
2. Custom designs on request
3. Inductance range: 2.0mH
4. Insulation Test Voltage: 1500VAC
5. turns Ratio: 1:1
6. Rated Current: 25A
7. Operating temperature: -40 °C to +125 °C



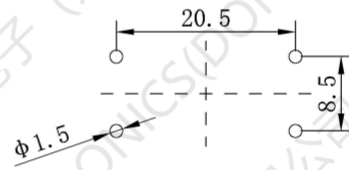
1. Dimensions:mm



2. Schematic:



3. Recommended Land Pattern: mm



4. Electrical Properties

NO.	ITEMS	MEASURING POINT	TECHNICAL DATA	TEST CONDITION	INSTRUMENT
1	Inductance	N1=N2	2.0mH/typ	1KHz, 0.3V, 25°C	HP4284A
2	IR	COIL~CORE	100Mohm MIN	DC500V	MF2511
3	turns Ratio	N1:N2	1:1	20KHz, 1V, 25°C	TH3250
4	DCR	N1=N2	21mΩ TYP~25mΩ MAX	25°C	CH502
5	Insulation Test Voltage	COIL~COIL	1500V/AC	50Hz 3mA 5S	CJ2670
		COIL~CORE	500V/AC	50Hz 3mA 5S	CJ2670
6	Rated Current	N1/N2	23A/min;25A/typ	ΔT≅40°C (Ta=25°C)	WK3225B

Ambient temperature : -40°C to +85°C
 Operating temperature: -40°C to +125°C