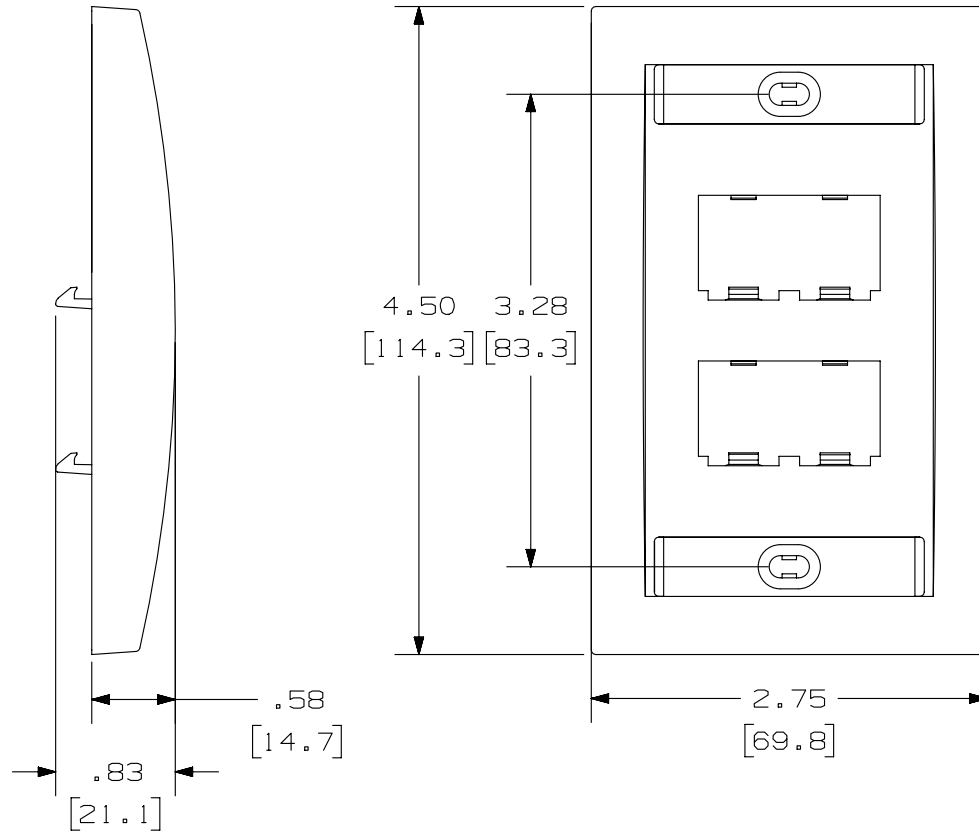


THIS COPY IS PROVIDED ON A RESTRICTED BASIS AND IS NOT TO BE USED IN ANY WAY DETRIMENTAL TO THE INTERESTS OF PANDUIT CORP.

PANDUIT P/N	WEIGHT
CFKE4A6U6J5AMA	1.04 LB/10 PCS (471.7 g/10 PCS)



NOTES:

- SEE CURRENT CATALOG FOR ADDITIONAL PART NUMBER SUFFIXES TO INDICATE COLOR AND OR PACKAGE QUANTITY.
- SEE CATALOG FOR COMPLETE LIST OF PARTS APPLICABLE FOR USE WITH THIS PART.
- DIMENSIONS IN [] ARE IN METRIC.
- PART INCLUDES:
 - 1- FACEPLATE (IW)
 - 2- LABEL
 - 2- LABEL COVER
 - 2- MOUNTING SCREW
 - 1- MINI-COM TX6 PLUS JACK MODULE (CJ688TGBU)
 - 1- MINI-COM TX6 PLUS JACK MODULE (CJ688TGOR)
 - 1- MINI-COM TX5e JACK MODULE (CJ5E88TGIW)
 - 1- MINI-COM BLANK MODULE (CMBIW)

PART NUMBER		CFKE4A6U6J5AMA	
TITLE			
MINI-COM 4 POSITION EXECUTIVE		SERIES FACEPLATE KIT	
CUSTOMER DRAWING			
ITEM REVISION NAME		M00741NJ/00	
DATASET FILE NAME		M00741NJ_DC128/00C	
UNLESS OTHERWISE SPECIFIED, DIMENSIONAL TOLERANCES ARE: IN [mm]		MATERIAL:	
.x ± .03 [.8]		ABS	
.xxx ± .010 [.3]		DRAWING NUMBER:	
ANGLES ±		00741 - 128	
THIRD ANGLE PROJECTION		SHT 1 OF 1	
DRAWN BY	DATE	CHK	SCALE
JSP	10-4-06	MJD	NONE
REV	DATE	BY	CHK
1	3/27/14	JSP	REFR
2	10-4-06	JSP	MJD
3			
4			
5			
6			
7			
8			
9			
10			
11			
12			
13			
14			
15			
16			
17			
18			
19			
20			
21			
22			
23			
24			
25			
26			
27			
28			
29			
30			
31			
32			
33			
34			
35			
36			
37			
38			
39			
40			
41			
42			
43			
44			
45			
46			
47			
48			
49			
50			
51			
52			
53			
54			
55			
56			
57			
58			
59			
60			
61			
62			
63			
64			
65			
66			
67			
68			
69			
70			
71			
72			
73			
74			
75			
76			
77			
78			
79			
80			
81			
82			
83			
84			
85			
86			
87			
88			
89			
90			
91			
92			
93			
94			
95			
96			
97			
98			
99			
100			

D10100DA/14

Mouser Electronics

Authorized Distributor

Click to View Pricing, Inventory, Delivery & Lifecycle Information:

Panduit:

[CFKE4A6U6J5AMA](#)