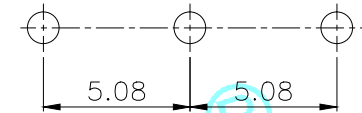
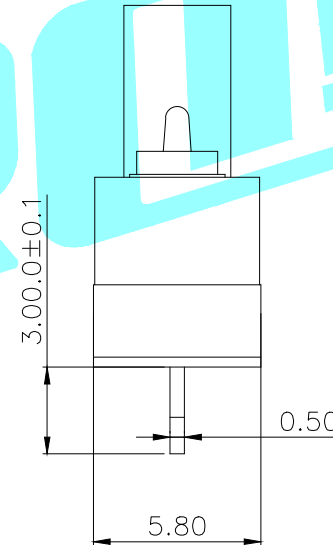
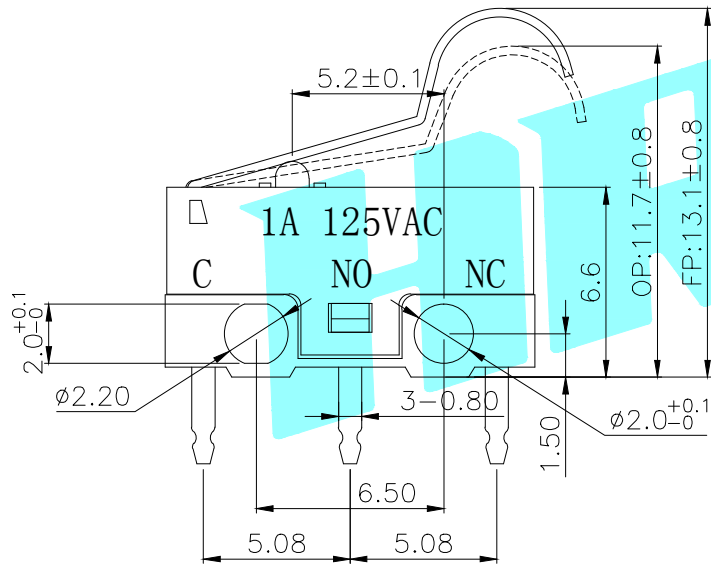


Circuit Diagram



P.C.B layout



NOTE:

- 1. Rating: DC30V 0.1A
- 2. OP: 11.70±0.8
- 3. Operating force: 20±15gf
- 4. Mechanical Life: 3,000,000

⑦	Shrapnel	—	1	Beryllium Copper	—	—
⑥	Contact	—	1	Ag	—	—
⑤	Lever	—	1	Stainless Steel	—	—
④	Terminal	—	3	Brass(0.50t)	Plating silver	—
③	Housing	—	1	PBT	White	—
②	Knob	—	1	PBT	White	—
①	Cover	—	1	PBT	Black	—
ITEM	PART NAME	TER'NO.	QTY.	MATERIAL	FINISHING	REMARK

APPROVALS			DATE		 ELECTRONICS CO.,LTD	
DRAWN	LIUCAN	2021.4.15		TITLE: MICRO SWITCHS		
CHECKED					PART NO. K9-1267U-02	
APPROVALS					UNIT: mm SCALE: 1:1 PROJ:	
TOLERANCES ARE		30~以上 ±0.30	10~30 ±0.20	ANGLE	UNIT: mm	SCALE: 1:1
		5~10 ±0.15	~ 5 ±0.10	±2'	DRAWING NO.	SHEET 1 OF 1

_____	A	_____	NEW	_____	_____	_____
ECN NO.	REV.	DATE.	DESCRIPTION.	CHANGE.	CHECK.	APPRO.