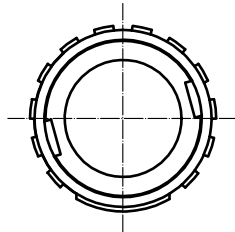
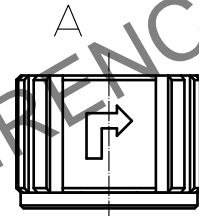
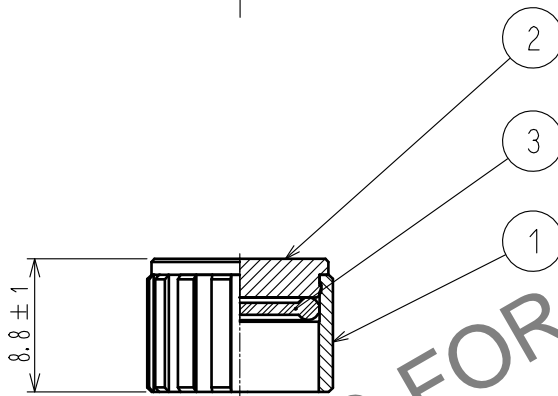
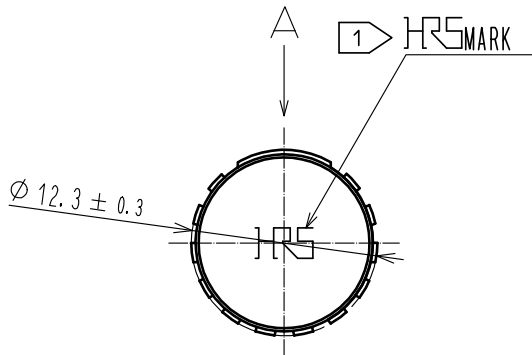


Jun.1.2024 Copyright 2024 HIROSE ELECTRIC CO., LTD. All Rights Reserved.
 In case of consideration for using Automotive equipment / device which demand high reliability, kindly contact our sales window correspondents.



HRS DRAWING FOR REFERENCE

- NOTES
- 1 ROTATION EXAMPLES OF HRS MARK ARE SHOWN.
 - 2 THIS PRODUCT IS A CAP FOR LF07WBR※-※(※).
- IT IS APPLICABLE REGARDLESS OF GIVEN ALPHABETS OR NUMBERS SHOWN AT ※.

2	BRASS	NICKEL PLATING			
1	ZINC ALLOY	NICKEL PLATING	3	ACRYLONITRILE BUTADIENE RUBBER (BLACK)	
NO.	MATERIAL	FINISH . REMARKS	NO.	MATERIAL	FINISH . REMARKS
UNITS mm		SCALE 2 : 1		DESCRIPTION OF REVISIONS	DESIGNED
					CHECKED
					DATE
HRS HIROSE ELECTRIC CO. . LTD.	APPROVED : HY. KOBAYASHI	18.02.22	DRAWING NO. EDC-118048-31-00		
	CHECKED : HY. KOBAYASHI	18.02.22	PART NO. LF07WBR-C(31)		
	DESIGNED : TY. SUZUKI	18.02.22	CODE NO. CL136-3008-7-31		
	DRAWN : HM. SAITO	18.02.20			