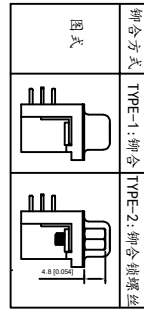
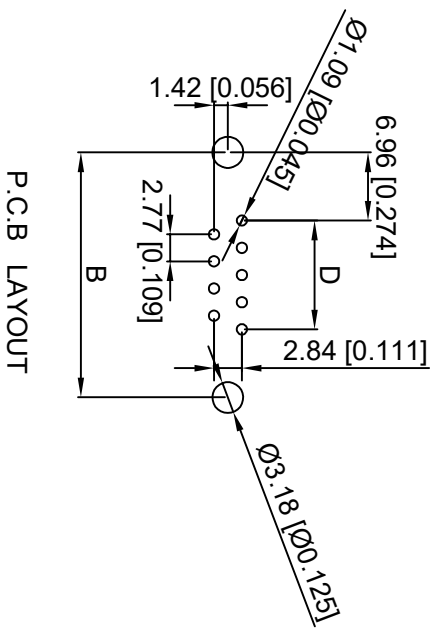
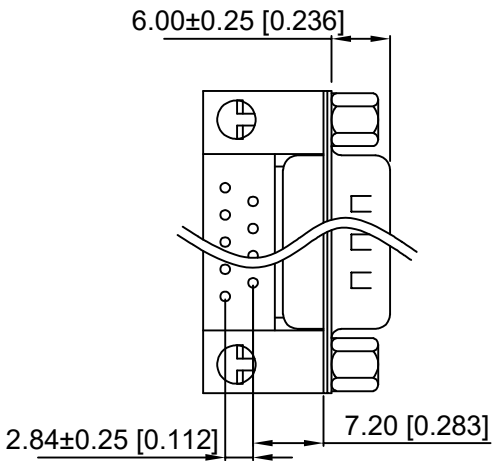
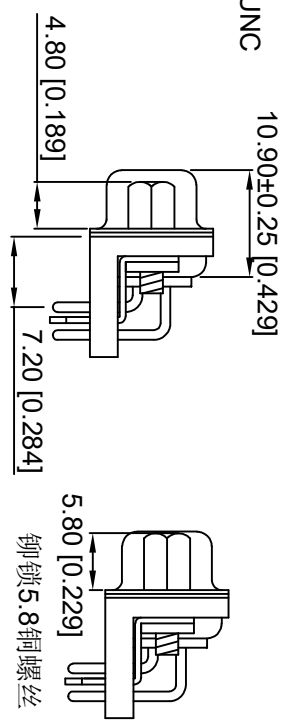
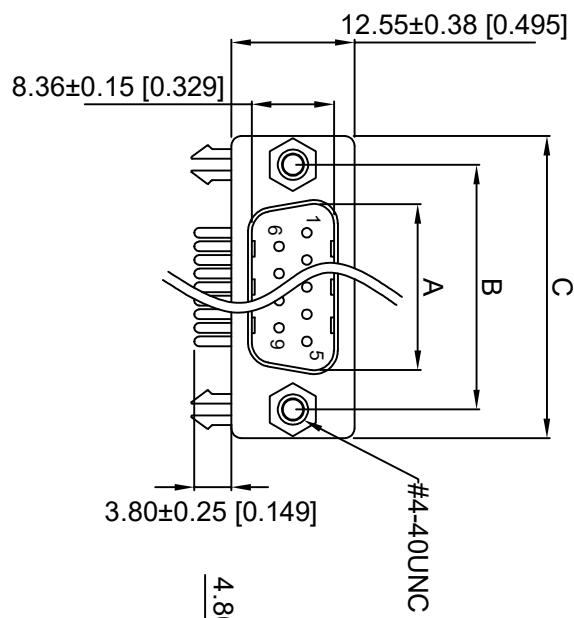


Specifications:

规格:
 Current rating: 5A AC/DC
 额定电流: 5A AC/DC
 Voltage rating: 250V AC
 额定电压: 250V AC
 Withstanding voltage: 500V AC/MIN
 耐受电压: ≥500V AC/分钟
 Temperature range: -55°C +105°C
 温度范围: -55°C +105°C
 Insulation resistance: 1000MΩ/MIN
 绝缘电阻: ≥1000MΩ
 Contact resistance: 30mΩ/MAN
 接触电阻: ≤30mΩ
 Material And FINISHED:
 INSULATOR: PBT UL 94V-0
 绝缘体: PBT UL 94V-0
 SHELL: SPCC-SD Plated Ni/Au/Sn
 外壳: 铁合金 镀镍/金/锡
 CONTACT MATERIAL: COPPER ALLOY
 触点材料: 铜合金

X03 XX W C X X X

- ① Series NO.
- ② Row No Pin No: XX-09:15;25;37
- ③ Welding Board Angle : W-Male
- ④ C: Car-pin
- ⑤ Planting Category: 1:1U' ;2:2U' ;3:3U' ;4:5U' ;5:15U' ;6:30U' ;7:AuSn
- ⑥ B:Black W:White BL:Blue Y:Yellow G:Green R:Red
- ⑦ 1:TYPE-1; 2:TYPE-2



NO.OF CONTACT	A±0.25	B±0.13	C±0.38	D
09	16.92	24.99	30.81	11.08
15	25.25	33.32	39.14	19.39
25	38.96	47.04	53.04	33.24
37	55.42	63.50	69.32	49.86

ΔX	ΔX	ΔX	MARK	DESCRIPTION	DATE	REVISED	APPROVED	UNSPECIFIED TOLERANCES	ANGULAR	±5°
									L ≤ 4	±0.2
									4 < L ≤ 16	±0.3
									16 < L ≤ 63	±0.4
									L > 63	±0.5
REVISIONS										
www.hellokob.com www.hellokob.cn www.kk-dig.cn										
XKB										
KKB INDUSTRIAL PRECISION CO., LIMITED										
DSND	SCALE: N/A		MODEL TYPE: D-USB							
DWN	VIEW:		PART NO.: X03XXWCXXX							
CHKD	UNIT: mm/in		DWG NO.: X-X03XXWCXXX							
APPD	SIZE: A4		WEIGHT SHEET REVISION							
			1/1		A0					