

AXL F DI8/2 24DC 1F - Digital module



2702783

<https://www.phoenixcontact.com/us/products/2702783>

Please be informed that the data shown in this PDF document is generated from our online catalog. Please find the complete data in the user documentation. Our general terms of use for downloads are valid.



Axioline F, Digital input module, Digital inputs: 8, 24 V DC, connection technology: 2-conductor, corresponds to standard IEC 61850-3, transmission speed in the local bus: 100 Mbps, degree of protection: IP20, including bus base module and Axioline F connectors

Product description

The module is designed for use within an Axioline F station. It is used to acquire digital DC voltage signals in the low-voltage range. You can use low-voltage and extra-low voltage modules directly next to each other within an Axioline F station.

Your advantages

- 8 digital inputs according to EN 61131-2 type 1
- Connection of sensors in 2-conductor technology
- 24 V DC, 2.5 mA
- Filter time of < 1 ms
- Inputs are reverse polarity protected
- Safe isolation in accordance with EN 61010-2-201/IEC 61010-2-201
- Device rating plate stored
- Diagnostic and status indicators
- Meets the requirements of IEC 61850-3 and IEEE 1613

Commercial data

Item number	2702783
Packing unit	1 pc
Minimum order quantity	1 pc
Sales key	DR02
Product key	DRI231
Catalog page	Page 74 (C-6-2019)
GTIN	4055626320540
Weight per piece (including packing)	221.4 g
Weight per piece (excluding packing)	221.4 g
Customs tariff number	85389091
Country of origin	DE

AXL F DI8/2 24DC 1F - Digital module

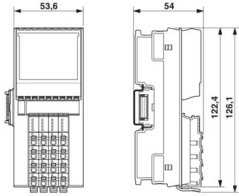


2702783

<https://www.phoenixcontact.com/us/products/2702783>

Technical data

Dimensions

Dimensional drawing	
Width	53.6 mm
Height	126.1 mm
Depth	54 mm
Note on dimensions	The depth applies when a TH 35-7.5 DIN rail is used (in accordance with EN 60715).

Notes

Note on application	
Note on application	Only for industrial use

Interfaces

Axioline F local bus	
Number of interfaces	2
Connection method	Bus base module
Transmission speed	100 Mbps

System properties

Module	
Input address area	1 Byte
Output address area	0 Byte
Required parameter data	3 Byte
Required configuration data	6 Byte

Input data

Digital:	
Input name	Digital inputs
Description of the input	EN 61131-2 type 1
Number of inputs	8
Connection method	Push-in connection
Connection technology	2-conductor
Input voltage	24 V DC (Nominal voltage) max. 100 V DC

AXL F DI8/2 24DC 1F - Digital module



2702783

<https://www.phoenixcontact.com/us/products/2702783>

Input voltage range	-100 V DC ... 100 V DC
Input voltage range "0" signal	-5 V DC ... 5 V DC
Input voltage range "1" signal	14.5 V DC ... 100 V DC
Nominal input voltage U_{IN}	24 V DC
Nominal input current at U_{IN}	2.5 mA
Input filter time	< 1 ms
Protective circuit	Polarity reversal protection of the inputs

Product properties

Product type	I/O component
Product family	Axioline F
Type	block modular
Mounting position	any (no temperature derating) Nominal mounting position: wall mounting on horizontal DIN rail
Scope of delivery	including bus base module and Axioline F connectors
Special properties	corresponds to standard IEC 61850-3

Data management status

Article revision	01
------------------	----

Insulation characteristics

Overvoltage category	III (EN 61010-2-201/IEC 61010-2-201)
Pollution degree	2

Electrical properties

Maximum power dissipation for nominal condition	1.1 W
---	-------

Potentials: Axioline F local bus supply (U_{BUS})

Supply voltage	5 V DC (via bus base module)
Current draw	max. 120 mA

Electrical isolation/isolation of the voltage ranges

Test voltage: I/Os / logic	4 kV
	5 kV
Test voltage: I/O/functional ground	4 kV
	5 kV
Test voltage: I/O / I/O (adjacent connectors)	2.5 kV
Test voltage: Logic/functional ground	1 kV

Connection data

Connection technology

Connection name	Axioline F connector
Note on the connection method	Please observe the information provided on conductor cross sections in the "Axioline F: system and installation" user manual.

Conductor connection

Connection method	Push-in connection
-------------------	--------------------

AXL F DI8/2 24DC 1F - Digital module



2702783

<https://www.phoenixcontact.com/us/products/2702783>

Conductor cross section rigid	0.2 mm ² ... 1.5 mm ²
Conductor cross section flexible	0.2 mm ² ... 1.5 mm ²
Conductor cross section AWG	24 ... 16
Stripping length	8 mm

Axioline F connector

Connection method	Push-in connection
Note on the connection method	Please observe the information provided on conductor cross sections in the "Axioline F: system and installation" user manual.
Conductor cross section, rigid	0.2 mm ² ... 1.5 mm ²
Conductor cross section, flexible	0.2 mm ² ... 1.5 mm ²
Conductor cross section AWG	24 ... 16
Stripping length	8 mm

Environmental and real-life conditions

Ambient conditions

Ambient temperature (operation)	-25 °C ... 60 °C
Degree of protection	IP20
Air pressure (operation)	70 kPa ... 106 kPa (up to 3000 m above sea level)
Air pressure (storage/transport)	70 kPa ... 106 kPa (up to 3000 m above sea level)
Ambient temperature (storage/transport)	-40 °C ... 85 °C
Permissible humidity (operation)	5 % ... 95 % (non-condensing)
Permissible humidity (storage/transport)	5 % ... 95 % (non-condensing)

Standards and regulations

Standard designation	Ambient conditions
Standards/specifications	IEC 61850-3

Mounting

Mounting type	DIN rail mounting
Mounting position	any (no temperature derating) Nominal mounting position: wall mounting on horizontal DIN rail

AXL F DI8/2 24DC 1F - Digital module

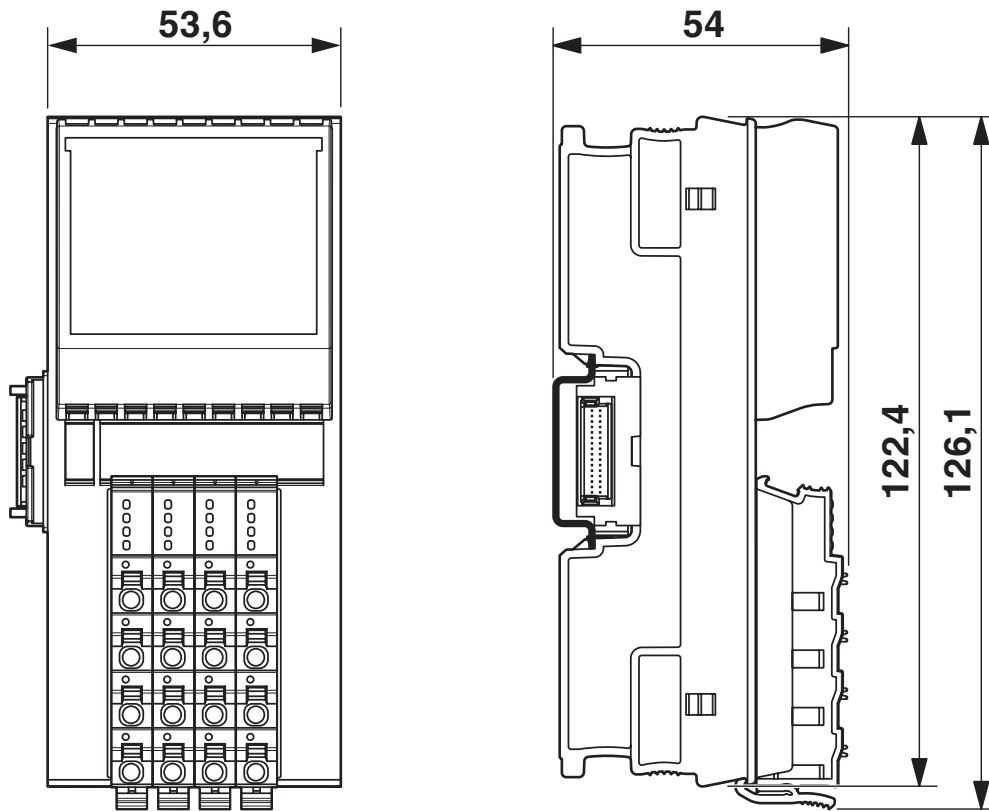
2702783

<https://www.phoenixcontact.com/us/products/2702783>

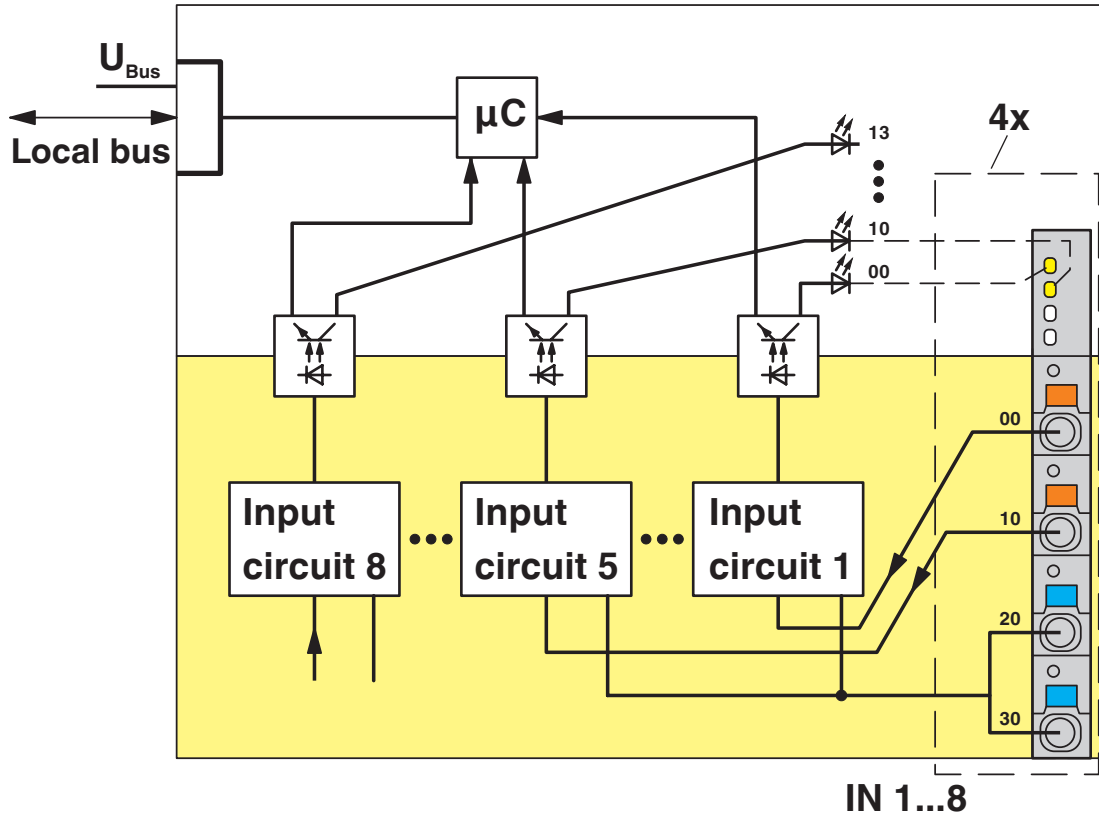


Drawings

Dimensional drawing

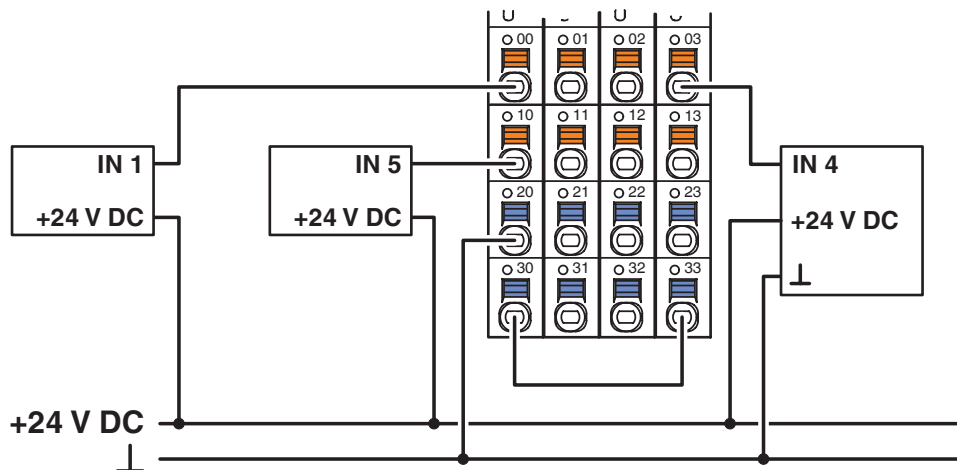


Block diagram



Internal wiring of the terminal points

Connection diagram



Connection of sensors when using external busbars

AXL F DI8/2 24DC 1F - Digital module



2702783

<https://www.phoenixcontact.com/us/products/2702783>

Approvals

To download certificates, visit the product detail page: <https://www.phoenixcontact.com/us/products/2702783>



UL Listed

Approval ID: E238705



cUL Listed

Approval ID: E238705

UAE-RoHS

Approval ID: 23-02-63243

cULus Listed

AXL F DI8/2 24DC 1F - Digital module



2702783

<https://www.phoenixcontact.com/us/products/2702783>

Classifications

ECLASS

ECLASS-11.0	27242604
ECLASS-12.0	27242604
ECLASS-13.0	27242604

ETIM

ETIM 9.0	EC001599
----------	----------

UNSPSC

UNSPSC 21.0	32151600
-------------	----------

2702783

<https://www.phoenixcontact.com/us/products/2702783>

Environmental product compliance

EU RoHS

Fulfills EU RoHS substance requirements	Yes
Exemption	7(a), 7(c)-I

China RoHS

Environment friendly use period (EFUP)	EFUP-50
	An article-related China RoHS declaration table can be found in the download area for the respective article under "Manufacturer declaration". For all articles with EFUP-E, no China RoHS declaration table issued and required.

EU REACH SVHC

REACH candidate substance (CAS No.)	Lead(CAS: 7439-92-1)
SCIP	76caabac-96d6-4d5d-bf44-4af65557c5fe

Phoenix Contact 2024 © - all rights reserved

<https://www.phoenixcontact.com>

Phoenix Contact USA
586 Fulling Mill Road
Middletown, PA 17057, United States
(+717) 944-1300
info@phoenixcon.com