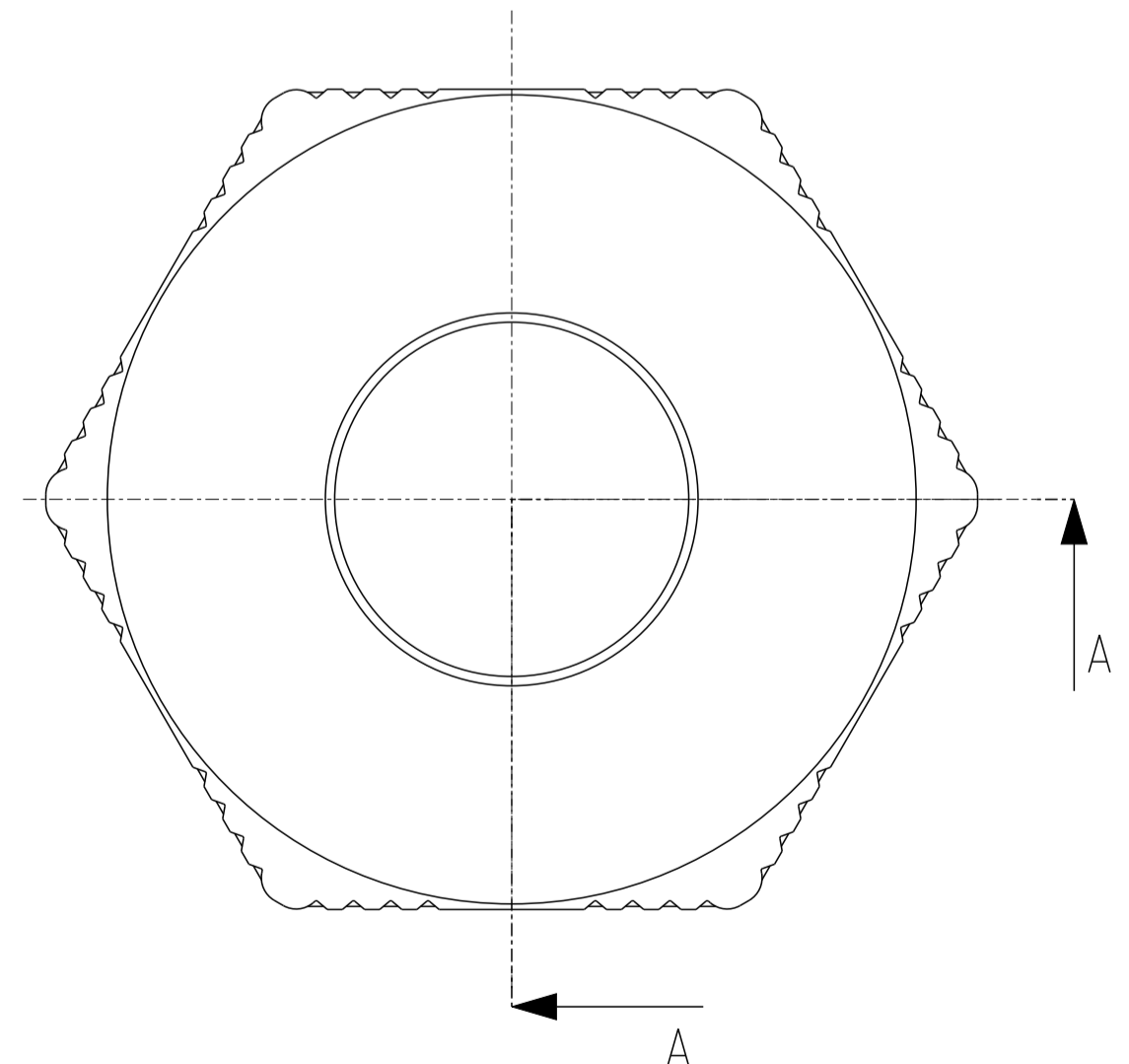
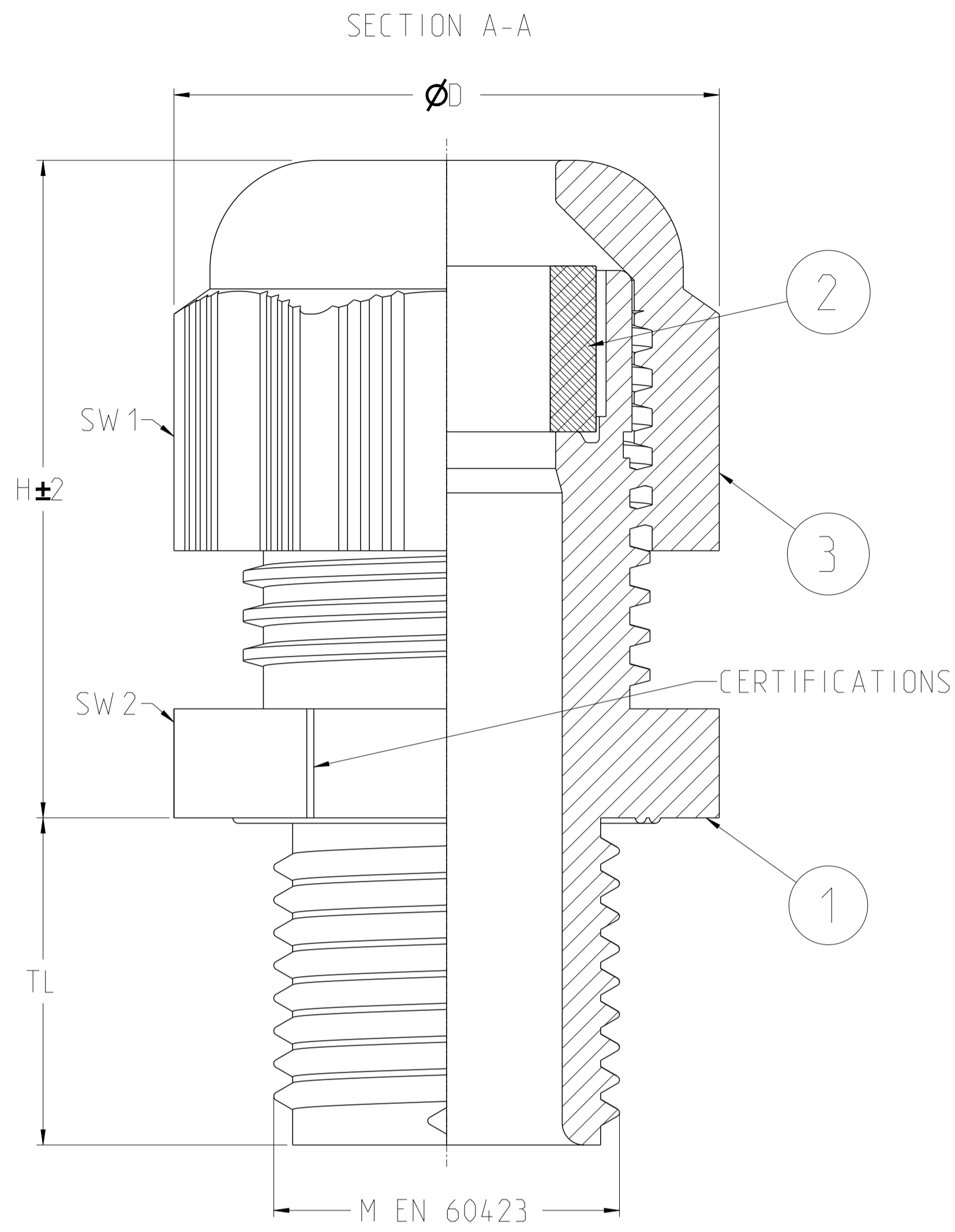


REVISIONS				
P	LTN	DESCRIPTION	DATE	APVD
A		INITIAL REVISION	02FEB2022	KR RM



TCPN	TE Product Type (Entretec)	RAL NUMBER	COLOR	UL RATING	CERTIFICATIONS	M EN 60423	TL	H	Ø	SW 1	SW 2	Clamping Range	
												Ø min	max
1SNG601001R0000	EP-SG-M12-LGR-A	7035	L.Grey	TYPE 4X	cURus VDE cCSAus	M12x1.5	8.0	23.3	17.0	15	15	2.0	5.0
1SNG601002R0000	EP-SG-M12-GR-A	7001	Grey	TYPE 4X	cURus VDE cCSAus	M12x1.5	8.0	23.3	17.0	15	15	2.0	5.0
1SNG601003R0000	EP-SG-M12-BL-A	9005	Black	TYPE 4X	cURus VDE cCSAus	M12x1.5	8.0	23.3	17.0	15	15	2.0	5.0
1SNG601004R0000	EP-SG-M12-LGR-B	7035	L.Grey	TYPE 4X	cURus VDE cCSAus	M12x1.5	10.0	23.3	17.0	15	15	2.0	5.0
1SNG601005R0000	EP-SG-M12-GR-B	7001	Grey	TYPE 4X	cURus VDE cCSAus	M12x1.5	10.0	23.3	17.0	15	15	2.0	5.0
1SNG601006R0000	EP-SG-M12-BL-B	9005	Black	TYPE 4X	cURus VDE cCSAus	M12x1.5	10.0	23.3	17.0	15	15	2.0	5.0
1SNG601007R0000	EP-SG-M12-LGR-C	7035	L.Grey	TYPE 4X	cURus VDE cCSAus	M12x1.5	15.0	23.3	17.0	15	15	2.0	5.0
1SNG601008R0000	EP-SG-M12-GR-C	7001	Grey	TYPE 4X	cURus VDE cCSAus	M12x1.5	15.0	23.3	17.0	15	15	2.0	5.0
1SNG601009R0000	EP-SG-M12-BL-C	9005	Black	TYPE 4X	cURus VDE cCSAus	M12x1.5	15.0	23.3	17.0	15	15	2.0	5.0
1SNG601010R0000	EP-SG-M12-LGR-D	7035	L.Grey	TYPE 4X	cURus VDE cCSAus	M12x1.5	8.0	23.3	17.0	15	15	3.0	6.5
1SNG601011R0000	EP-SG-M12-GR-D	7001	Grey	TYPE 4X	cURus VDE cCSAus	M12x1.5	8.0	23.3	17.0	15	15	3.0	6.5
1SNG601012R0000	EP-SG-M12-BL-D	9005	Black	TYPE 4X	cURus VDE cCSAus	M12x1.5	8.0	23.3	17.0	15	15	3.0	6.5
1SNG601013R0000	EP-SG-M12-LGR-E	7035	L.Grey	TYPE 4X	cURus VDE cCSAus	M12x1.5	10.0	23.3	17.0	15	15	3.0	6.5
1SNG601014R0000	EP-SG-M12-GR-E	7001	Grey	TYPE 4X	cURus VDE cCSAus	M12x1.5	10.0	23.3	17.0	15	15	3.0	6.5
1SNG601015R0000	EP-SG-M12-BL-E	9005	Black	TYPE 4X	cURus VDE cCSAus	M12x1.5	10.0	23.3	17.0	15	15	3.0	6.5
1SNG601016R0000	EP-SG-M12-LGR-F	7035	L.Grey	TYPE 4X	cURus VDE cCSAus	M12x1.5	15.0	23.3	17.0	15	15	3.0	6.5
1SNG601017R0000	EP-SG-M12-GR-F	7001	Grey	TYPE 4X	cURus VDE cCSAus	M12x1.5	15.0	23.3	17.0	15	15	3.0	6.5
1SNG601018R0000	EP-SG-M12-BL-F	9005	Black	TYPE 4X	cURus VDE cCSAus	M12x1.5	15.0	23.3	17.0	15	15	3.0	6.5
1SNG601019R0000	EP-SG-M16-LGR-A	7035	L.Grey	TYPE 4X	cURus VDE cCSAus	M16x1.5	8.0	25.4	21.7	19	19	2.0	6.0
1SNG601020R0000	EP-SG-M16-GR-A	7001	Grey	TYPE 4X	cURus VDE cCSAus	M16x1.5	8.0	25.4	21.7	19	19	2.0	6.0
1SNG601021R0000	EP-SG-M16-BL-A	9005	Black	TYPE 4X	cURus VDE cCSAus	M16x1.5	8.0	25.4	21.7	19	19	2.0	6.0
1SNG601022R0000	EP-SG-M16-LGR-B	7035	L.Grey	TYPE 4X	cURus VDE cCSAus	M16x1.5	10.0	25.4	21.7	19	19	2.0	6.0
1SNG601023R0000	EP-SG-M16-GR-B	7001	Grey	TYPE 4X	cURus VDE cCSAus	M16x1.5	10.0	25.4	21.7	19	19	2.0	6.0
1SNG601024R0000	EP-SG-M16-BL-B	9005	Black	TYPE 4X	cURus VDE cCSAus	M16x1.5	10.0	25.4	21.7	19	19	2.0	6.0
1SNG601025R0000	EP-SG-M16-LGR-C	7035	L.Grey	TYPE 4X	cURus VDE cCSAus	M16x1.5	15.0	25.4	21.7	19	19	2.0	6.0
1SNG601026R0000	EP-SG-M16-GR-C	7001	Grey	TYPE 4X	cURus VDE cCSAus	M16x1.5	15.0	25.4	21.7	19	19	2.0	6.0
1SNG601027R0000	EP-SG-M16-BL-C	9005	Black	TYPE 4X	cURus VDE cCSAus	M16x1.5	15.0	25.4	21.7	19	19	2.0	6.0
1SNG601028R0000	EP-SG-M16-LGR-D	7035	L.Grey	TYPE 4X	cURus VDE cCSAus	M16x1.5	10.0	30.2	25.0	22	22	3.0	7.0
1SNG601029R0000	EP-SG-M16-GR-D	7001	Grey	TYPE 4X	cURus VDE cCSAus	M16x1.5	10.0	30.2	25.0	22	22	3.0	7.0
1SNG601030R0000	EP-SG-M16-BL-D	9005	Black	TYPE 4X	cURus VDE cCSAus	M16x1.5	10.0	30.2	25.0	22	22	3.0	7.0
1SNG601031R0000	EP-SG-M16-LGR-E	7035	L.Grey	TYPE 4X	cURus VDE cCSAus	M16x1.5	15.0	30.2	25.0	22	22	3.0	7.0
1SNG601032R0000	EP-SG-M16-GR-E	7001	Grey	TYPE 4X	cURus VDE cCSAus	M16x1.5	15.0	30.2	25.0	22	22	3.0	7.0
1SNG601033R0000	EP-SG-M16-BL-E	9005	Black	TYPE 4X	cURus VDE cCSAus	M16x1.5	15.0	30.2	25.0	22	22	3.0	7.0
1SNG601034R0000	EP-SG-M16-LGR-F	7035	L.Grey	TYPE 4X	cURus VDE cCSAus	M16x1.5	8.0	25.4	21.7	19	19	4.0	8.0
1SNG601035R0000	EP-SG-M16-GR-F	7001	Grey	TYPE 4X	cURus VDE cCSAus	M16x1.5	8.0	25.4	21.7	19	19	4.0	8.0
1SNG601036R0000	EP-SG-M16-BL-F	9005	Black	TYPE 4X	cURus VDE cCSAus	M16x1.5	8.0	25.4	21.7	19	19	4.0	8.0
1SNG601037R0000	EP-SG-M16-LGR-G	7035	L.Grey	TYPE 4X	cURus VDE cCSAus	M16x1.5	10.0	25.4	21.7	19	19	4.0	8.0
1SNG601038R0000	EP-SG-M16-GR-G	7001	Grey	TYPE 4X	cURus VDE cCSAus	M16x1.5	10.0	25.4	21.7	19	19	4.0	8.0
1SNG601039R0000	EP-SG-M16-BL-G	9005	Black	TYPE 4X	cURus VDE cCSAus	M16x1.5	10.0	25.4	21.7	19	19	4.0	8.0

3	1	CAP	-	PA6 V2 (F1 Listed)	-
2	1	SEAL	-	CR	-
1	1	BODY	-	PA6 V2 (F1 Listed)	-
RPT QTY	DOC TITLE	DRAWING NUMBER	MATERIAL	COMMENTS	
THIS DRAWING IS A CONTROLLED DOCUMENT.					
DIMENSIONS:		TOLERANCES UNLESS OTHERWISE SPECIFIED:		DWG: Rajan, K. 02FEB2022 CHK: Rafeeq, Mohd 02FEB2022 APVD: Rafeeq, Mohd 02FEB2022 NAME: M-STD-GLAND-PA PRODUCT SPEC: M-STD-GLAND-PA APPLICATION SPEC:	
0 PLC	±	1 PLC	±	SIZE	CAGE CODE
2 PLC	±	2 PLC	±	A1	00779
3 PLC	±	3 PLC	±	DRAWING NO	©=1SNP061305-0100
4 PLC	±	4 PLC	±	RESTRICTED TO	-
ANGLES	±	FINISH	-	SCALE	5:1
MATERIAL	REF-TABLE	WEIGHT	-	SHEET	1 of 4
CUSTOMER DRAWING					

REVISIONS				
P	LTN	DESCRIPTION	DATE	APVD
A		INITIAL REVISION	02FEB2022	RM SB

TCPN	TE Product Type (Entrelec)	RAL NUMBER	COLOR	UL RATING	CERTIFICATIONS			M EN 60423	TL	H	ØD	SW 1	SW 2	Clamping Range Ø min - max
					cURus	VDE	cCSAus							
1SNG601040R0000	EP-SG-M16-LGR-H	7035	L.Grey	TYPE 4X	cURus	VDE	cCSAus	M16x1.5	15.0	25.4	21.7	19	19	4.0 - 8.0
1SNG601041R0000	EP-SG-M16-GR-H	7001	Grey	TYPE 4X	cURus	VDE	cCSAus	M16x1.5	15.0	25.4	21.7	19	19	4.0 - 8.0
1SNG601042R0000	EP-SG-M16-BL-H	9005	Black	TYPE 4X	cURus	VDE	cCSAus	M16x1.5	15.0	25.4	21.7	19	19	4.0 - 8.0
1SNG601043R0000	EP-SG-M16-LGR-I	7035	L.Grey	TYPE 4X	cURus	VDE	cCSAus	M16x1.5	10.0	30.2	25.0	22	22	5.0 - 10.0
1SNG601044R0000	EP-SG-M16-GR-I	7001	Grey	TYPE 4X	cURus	VDE	cCSAus	M16x1.5	10.0	30.2	25.0	22	22	5.0 - 10.0
1SNG601045R0000	EP-SG-M16-BL-I	9005	Black	TYPE 4X	cURus	VDE	cCSAus	M16x1.5	10.0	30.2	25.0	22	22	5.0 - 10.0
1SNG601046R0000	EP-SG-M16-LGR-J	7035	L.Grey	TYPE 4X	cURus	VDE	cCSAus	M16x1.5	15.0	30.2	25.0	22	22	5.0 - 10.0
1SNG601047R0000	EP-SG-M16-GR-J	7001	Grey	TYPE 4X	cURus	VDE	cCSAus	M16x1.5	15.0	30.2	25.0	22	22	5.0 - 10.0
1SNG601048R0000	EP-SG-M16-BL-J	9005	Black	TYPE 4X	cURus	VDE	cCSAus	M16x1.5	15.0	30.2	25.0	22	22	5.0 - 10.0
1SNG601049R0000	EP-SG-M20-LGR-A	7035	L.Grey	TYPE 4X	cURus	VDE	cCSAus	M20x1.5	10.0	30.4	27.0	24	24	6.0 - 12.0
1SNG601050R0000	EP-SG-M20-GR-A	7001	Grey	TYPE 4X	cURus	VDE	cCSAus	M20x1.5	10.0	30.4	27.0	24	24	6.0 - 12.0
1SNG601051R0000	EP-SG-M20-BL-A	9005	Black	TYPE 4X	cURus	VDE	cCSAus	M20x1.5	10.0	30.4	27.0	24	24	6.0 - 12.0
1SNG601052R0000	EP-SG-M20-LGR-B	7035	L.Grey	TYPE 4X	cURus	VDE	cCSAus	M20x1.5	15.0	30.4	27.0	24	24	6.0 - 12.0
1SNG601053R0000	EP-SG-M20-GR-B	7001	Grey	TYPE 4X	cURus	VDE	cCSAus	M20x1.5	15.0	30.4	27.0	24	24	6.0 - 12.0
1SNG601054R0000	EP-SG-M20-BL-B	9005	Black	TYPE 4X	cURus	VDE	cCSAus	M20x1.5	15.0	30.4	27.0	24	24	6.0 - 12.0
1SNG601055R0000	EP-SG-M20-LGR-C	7035	L.Grey	TYPE 4X	cURus	VDE	cCSAus	M20x1.5	10.0	30.4	27.0	24	24	6.0 - 12.0
1SNG601056R0000	EP-SG-M20-GR-C	7001	Grey	TYPE 4X	cURus	VDE	cCSAus	M20x1.5	10.0	30.4	27.0	24	24	6.0 - 12.0
1SNG601057R0000	EP-SG-M20-BL-C	9005	Black	TYPE 4X	cURus	VDE	cCSAus	M20x1.5	10.0	30.4	27.0	24	24	6.0 - 12.0
1SNG601058R0000	EP-SG-M20-LGR-D	7035	L.Grey	TYPE 4X	cURus	VDE	cCSAus	M20x1.5	15.0	30.4	27.0	24	24	6.0 - 12.0
1SNG601059R0000	EP-SG-M20-GR-D	7001	Grey	TYPE 4X	cURus	VDE	cCSAus	M20x1.5	15.0	30.4	27.0	24	24	6.0 - 12.0
1SNG601060R0000	EP-SG-M20-BL-D	9005	Black	TYPE 4X	cURus	VDE	cCSAus	M20x1.5	15.0	30.4	27.0	24	24	6.0 - 12.0
1SNG601061R0000	EP-SG-M20-LGR-E	7035	L.Grey	TYPE 4X	cURus	VDE	cCSAus	M20x1.5	10.0	29.9	30.9	27	27	7.0 - 12.0
1SNG601062R0000	EP-SG-M20-GR-E	7001	Grey	TYPE 4X	cURus	VDE	cCSAus	M20x1.5	10.0	29.9	30.9	27	27	7.0 - 12.0
1SNG601063R0000	EP-SG-M20-BL-E	9005	Black	TYPE 4X	cURus	VDE	cCSAus	M20x1.5	10.0	29.9	30.9	27	27	7.0 - 12.0
1SNG601064R0000	EP-SG-M20-LGR-F	7035	L.Grey	TYPE 4X	cURus	VDE	cCSAus	M20x1.5	15.0	29.9	30.9	27	27	7.0 - 12.0
1SNG601065R0000	EP-SG-M20-GR-F	7001	Grey	TYPE 4X	cURus	VDE	cCSAus	M20x1.5	15.0	29.9	30.9	27	27	7.0 - 12.0
1SNG601066R0000	EP-SG-M20-BL-F	9005	Black	TYPE 4X	cURus	VDE	cCSAus	M20x1.5	15.0	29.9	30.9	27	27	7.0 - 12.0
1SNG601067R0000	EP-SG-M20-LGR-G	7035	L.Grey	TYPE 4X	cURus	VDE	cCSAus	M20x1.5	10.0	32.0	27.5	25	25	7.0 - 13.0
1SNG601068R0000	EP-SG-M20-GR-G	7001	Grey	TYPE 4X	cURus	VDE	cCSAus	M20x1.5	10.0	32.0	27.5	25	25	7.0 - 13.0
1SNG601069R0000	EP-SG-M20-BL-G	9005	Black	TYPE 4X	cURus	VDE	cCSAus	M20x1.5	10.0	32.0	27.5	25	25	7.0 - 13.0
1SNG601070R0000	EP-SG-M20-LGR-H	7035	L.Grey	TYPE 4X	cURus	VDE	cCSAus	M20x1.5	10.0	29.9	30.9	27	27	10.0 - 14.0
1SNG601071R0000	EP-SG-M20-GR-H	7001	Grey	TYPE 4X	cURus	VDE	cCSAus	M20x1.5	10.0	29.9	30.9	27	27	10.0 - 14.0
1SNG601072R0000	EP-SG-M20-BL-H	9005	Black	TYPE 4X	cURus	VDE	cCSAus	M20x1.5	10.0	29.9	30.9	27	27	10.0 - 14.0
1SNG601073R0000	EP-SG-M20-LGR-I	7035	L.Grey	TYPE 4X	cURus	VDE	cCSAus	M20x1.5	15.0	29.9	30.9	27	27	10.0 - 14.0
1SNG601074R0000	EP-SG-M20-GR-I	7001	Grey	TYPE 4X	cURus	VDE	cCSAus	M20x1.5	15.0	29.9	30.9	27	27	10.0 - 14.0
1SNG601075R0000	EP-SG-M20-BL-I	9005	Black	TYPE 4X	cURus	VDE	cCSAus	M20x1.5	15.0	29.9	30.9	27	27	10.0 - 14.0
1SNG601076R0000	EP-SG-M25-LGR-A	7035	L.Grey	TYPE 4X	cURus	VDE	cCSAus	M25x1.5	8.0	35.7	32.5	29	29	9.0 - 13.0
1SNG601077R0000	EP-SG-M25-GR-A	7001	Grey	TYPE 4X	cURus	VDE	cCSAus	M25x1.5	8.0	35.7	32.5	29	29	9.0 - 13.0
1SNG601078R0000	EP-SG-M25-BL-A	9005	Black	TYPE 4X	cURus	VDE	cCSAus	M25x1.5	8.0	35.7	32.5	29	29	9.0 - 13.0
1SNG601079R0000	EP-SG-M25-LGR-B	7035	L.Grey	TYPE 4X	cURus	VDE	cCSAus	M25x1.5	15.0	35.7	32.5	29	29	9.0 - 13.0
1SNG601080R0000	EP-SG-M25-GR-B	7001	Grey	TYPE 4X	cURus	VDE	cCSAus	M25x1.5	15.0	35.7	32.5	29	29	9.0 - 13.0
1SNG601081R0000	EP-SG-M25-BL-B	9005	Black	TYPE 4X	cURus	VDE	cCSAus	M25x1.5	15.0	35.7	32.5	29	29	9.0 - 13.0

3	1	CAP	-	PA6 V2 (F1 Listed)	-
2	1	SEAL	-	CR	-
1	1	BODY	-	PA6 V2 (F1 Listed)	-
RPT	QTY	DOC TITLE	DRAWING NUMBER	MATERIAL	COMMENTS
THIS DRAWING IS A CONTROLLED DOCUMENT.					
DIMENSIONS:		TOLERANCES UNLESS OTHERWISE SPECIFIED:			
mm		0 PLC ±0.15			
		2 PLC ±0.15			
		3 PLC ±0.15			
		4 PLC ±0.15			
ANGLES		±0.5			
FINISH		-			
MATERIAL		WEIGHT			
REF. TABLE		-			
		CUSTOMER DRAWING			
DWN: Rajan, Kasli		01FEB2022			
CHK: Rafeeq, Mohd		02FEB2022			
APVD: Rafeeq, Mohd		02FEB2022			
PRODUCT SPEC		M-STD-GLAND-PA			
APPLICATION SPEC		-			
SIZE		CAGE CODE		DRAWING NO	
A		00779		©=1SNP061305-0100	
RESTRICTED TO		-			
SCALE		SHEET		REV	
5:1		2 OF 4		A1	

TCPN	TE Product Type (Entrelec)	RAL NUMBER	COLOR	UL RATING	CERTIFICATIONS			M EN 60423	TL	H	ØD	SW 1	SW 2	Clamping Range Ø min - max
					cURus	VDE	cCSAus							
1SNG601082R0000	EP-SG-M25-LGR-C	7035	L.Grey	TYPE 4X	cURus	VDE	cCSAus	M25x1.5	10.0	36.4	37.2	33	33	9.0 - 16.0
1SNG601083R0000	EP-SG-M25-GR-C	7001	Grey	TYPE 4X	cURus	VDE	cCSAus	M25x1.5	10.0	36.4	37.2	33	33	9.0 - 16.0
1SNG601084R0000	EP-SG-M25-BL-C	9005	Black	TYPE 4X	cURus	VDE	cCSAus	M25x1.5	10.0	36.4	37.2	33	33	9.0 - 16.0
1SNG601085R0000	EP-SG-M25-LGR-D	7035	L.Grey	TYPE 4X	cURus	VDE	cCSAus	M25x1.5	15.0	36.4	37.2	33	33	9.0 - 16.0
1SNG601086R0000	EP-SG-M25-GR-D	7001	Grey	TYPE 4X	cURus	VDE	cCSAus	M25x1.5	15.0	36.4	37.2	33	33	9.0 - 16.0
1SNG601087R0000	EP-SG-M25-BL-D	9005	Black	TYPE 4X	cURus	VDE	cCSAus	M25x1.5	15.0	36.4	37.2	33	33	9.0 - 16.0
1SNG601088R0000	EP-SG-M25-LGR-E	7035	L.Grey	TYPE 4X	cURus	VDE	cCSAus	M25x1.5	8.0	35.7	32.5	29	29	11.0 - 17.0
1SNG601089R0000	EP-SG-M25-GR-E	7001	Grey	TYPE 4X	cURus	VDE	cCSAus	M25x1.5	8.0	35.7	32.5	29	29	11.0 - 17.0
1SNG601090R0000	EP-SG-M25-BL-E	9005	Black	TYPE 4X	cURus	VDE	cCSAus	M25x1.5	8.0	35.7	32.5	29	29	11.0 - 17.0
1SNG601091R0000	EP-SG-M25-LGR-F	7035	L.Grey	TYPE 4X	cURus	VDE	cCSAus	M25x1.5	15.0	35.7	32.5	29	29	11.0 - 17.0
1SNG601092R0000	EP-SG-M25-GR-F	7001	Grey	TYPE 4X	cURus	VDE	cCSAus	M25x1.5	15.0	35.7	32.5	29	29	11.0 - 17.0
1SNG601093R0000	EP-SG-M25-BL-F	9005	Black	TYPE 4X	cURus	VDE	cCSAus	M25x1.5	15.0	35.7	32.5	29	29	11.0 - 17.0
1SNG601094R0000	EP-SG-M25-LGR-G	7035	L.Grey	TYPE 4X	cURus	VDE	cCSAus	M25x1.5	10.0	36.4	37.2	33	33	13.0 - 18.0
1SNG601095R0000	EP-SG-M25-GR-G	7001	Grey	TYPE 4X	cURus	VDE	cCSAus	M25x1.5	10.0	36.4	37.2	33	33	13.0 - 18.0
1SNG601096R0000	EP-SG-M25-BL-G	9005	Black	TYPE 4X	cURus	VDE	cCSAus	M25x1.5	10.0	36.4	37.2	33	33	13.0 - 18.0
1SNG601097R0000	EP-SG-M25-LGR-H	7035	L.Grey	TYPE 4X	cURus	VDE	cCSAus	M25x1.5	15.0	36.4	37.2	33	33	13.0 - 18.0
1SNG601098R0000	EP-SG-M25-GR-H	7001	Grey	TYPE 4X	cURus	VDE	cCSAus	M25x1.5	15.0	36.4	37.2	33	33	13.0 - 18.0
1SNG601099R0000	EP-SG-M25-BL-H	9005	Black	TYPE 4X	cURus	VDE	cCSAus	M25x1.5	15.0	36.4	37.2	33	33	13.0 - 18.0
1SNG601100R0000	EP-SG-M32-LGR-A	7035	L.Grey	TYPE 4X	cURus	VDE	cCSAus	M32x1.5	10.0	40.3	41.0	36	36	11.0 - 15.0
1SNG601101R0000	EP-SG-M32-GR-A	7001	Grey	TYPE 4X	cURus	VDE	cCSAus	M32x1.5	10.0	40.3	41.0	36	36	11.0 - 15.0
1SNG601102R0000	EP-SG-M32-BL-A	9005	Black	TYPE 4X	cURus	VDE	cCSAus	M32x1.5	10.0	40.3	41.0	36	36	11.0 - 15.0
1SNG601103R0000	EP-SG-M32-LGR-B	7035	L.Grey	TYPE 4X	cURus	VDE	cCSAus	M32x1.5	15.0	40.3	41.0	36	36	11.0 - 15.0
1SNG601104R0000	EP-SG-M32-GR-B	7001	Grey	TYPE 4X	cURus	VDE	cCSAus	M32x1.5	15.0	40.3	41.0	36	36	11.0 - 15.0
1SNG601105R0000	EP-SG-M32-BL-B	9005	Black	TYPE 4X	cURus	VDE	cCSAus	M32x1.5	15.0	40.3	41.0	36	36	11.0 - 15.0
1SNG601106R0000	EP-SG-M32-LGR-C	7035	L.Grey	TYPE 4X	cURus	VDE	cCSAus	M32x1.5	15.0	40.3	47.1	42	42	12.0 - 20.0
1SNG601107R0000	EP-SG-M32-GR-C	7001	Grey	TYPE 4X	cURus	VDE	cCSAus	M32x1.5	15.0	40.3	47.1	42	42	12.0 - 20.0
1SNG601108R0000	EP-SG-M32-BL-C	9005	Black	TYPE 4X	cURus	VDE	cCSAus	M32x1.5	15.0	40.3	47.1	42	42	12.0 - 20.0
1SNG601109R0000	EP-SG-M32-LGR-D	7035	L.Grey	TYPE 4X	cURus	VDE	cCSAus	M32x1.5	10.0	40.3	41.0	36	36	15.0 - 21.0
1SNG601110R0000	EP-SG-M32-GR-D	7001	Grey	TYPE 4X	cURus	VDE	cCSAus	M32x1.5	10.0	40.3	41.0	36	36	15.0 - 21.0
1SNG601111R0000	EP-SG-M32-BL-D	9005	Black	TYPE 4X	cURus	VDE	cCSAus	M32x1.5	10.0	40.3	41.0	36	36	15.0 - 21.0
1SNG601112R0000	EP-SG-M32-LGR-E	7035	L.Grey	TYPE 4X	cURus	VDE	cCSAus	M32x1.5	15.0	40.3	41.0	36	36	15.0 - 21.0
1SNG601113R0000	EP-SG-M32-GR-E	7001	Grey	TYPE 4X	cURus	VDE	cCSAus	M32x1.5	15.0	40.3	41.0	36	36	15.0 - 21.0
1SNG601114R0000	EP-SG-M32-BL-E	9005	Black	TYPE 4X	cURus	VDE	cCSAus	M32x1.5	15.0	40.3	41.0	36	36	15.0 - 21.0
1SNG601115R0000	EP-SG-M32-LGR-F	7035	L.Grey	TYPE 4X	cURus	VDE	cCSAus	M32x1.5	15.0	40.3	47.1	42	42	18.0 - 25.0
1SNG601116R0000	EP-SG-M32-GR-F	7001	Grey	TYPE 4X	cURus	VDE	cCSAus	M32x1.5	15.0	40.3	47.1	42	42	18.0 - 25.0
1SNG601117R0000	EP-SG-M32-BL-F	9005	Black	TYPE 4X	cURus	VDE	cCSAus	M32x1.5	15.0	40.3	47.1	42	42	18.0 - 25.0
1SNG601118R0000	EP-SG-M40-LGR-A	7035	L.Grey	TYPE 4X	cURus	VDE	cCSAus	M40x1.5	10.0	45.4	52.4	46	46	16.0 - 23.0
1SNG601119R0000	EP-SG-M40-GR-A	7001	Grey	TYPE 4X	cURus	VDE	cCSAus	M40x1.5	10.0	45.4	52.4	46	46	16.0 - 23.0
1SNG601120R0000	EP-SG-M40-BL-A	9005	Black	TYPE 4X	cURus	VDE	cCSAus	M40x1.5	10.0	45.4	52.4	46	46	16.0 - 23.0
1SNG601121R0000	EP-SG-M40-LGR-B	7035	L.Grey	TYPE 4X	cURus	VDE	cCSAus	M40x1.5	18.0	45.4	52.4	46	46	16.0 - 23.0
1SNG601122R0000	EP-SG-M40-GR-B	7001	Grey	TYPE 4X	cURus	VDE	cCSAus	M40x1.5	18.0	45.4	52.4	46	46	16.0 - 23.0
1SNG601123R0000	EP-SG-M40-BL-B	9005	Black	TYPE 4X	cURus	VDE	cCSAus	M40x1.5	18.0	45.4	52.4	46	46	16.0 - 23.0

REVISIONS				
P	LTN	DESCRIPTION	DATE	APVD
A		INITIAL REVISION	02FEB2022	RM SB

3	1	CAP	-	PA6 V2 (F1 Listed)	-
2	1	SEAL	-	CR	-
1	1	BODY	-	PA6 V2 (F1 Listed)	-
RPT	QTY	DOC TITLE	DRAWING NUMBER	MATERIAL	COMMENTS
THIS DRAWING IS A CONTROLLED DOCUMENT.					
DIMENSIONS:		TOLERANCES UNLESS OTHERWISE SPECIFIED:			
mm		0 PLC ±0.15			
		1 PLC ±0.1			
		2 PLC ±0.1			
		3 PLC ±0.1			
		4 PLC ±0.1			
		ANGLES			
		FINISH			
MATERIAL		WEIGHT		RESTRICTED TO	
REF. TABLE		-		-	
		CUSTOMER DRAWING		-	
		SIZE		DRAWING NO	
		A 00779		©=1SNP061305-0100	
		SCALE		SHEET	
		5:1		3 OF 4	
				REV	
				A1	

REVISIONS				
P	LTN	DESCRIPTION	DATE	APVD
A		INITIAL REVISION	02FEB2022	RM SB

TCPN	TE Product Type (Entretec)	RAL NUMBER	COLOR	UL RATING	CERTIFICATIONS			M EN 60423	TL	H	Ø	SW 1	SW 2	Clamping Range Ø min - max
					cURus	VDE	cCSAus							
1SNG601124R0000	EP-SG-M40-LGR-C	7035	L.Grey	TYPE 4X	cURus	VDE	cCSAus	M40x1.5	10.0	45.4	52.4	46	46	19.0 - 28.0
1SNG601125R0000	EP-SG-M40-GR-C	7001	Grey	TYPE 4X	cURus	VDE	cCSAus	M40x1.5	10.0	45.4	52.4	46	46	19.0 - 28.0
1SNG601126R0000	EP-SG-M40-BL-C	9005	Black	TYPE 4X	cURus	VDE	cCSAus	M40x1.5	10.0	45.4	52.4	46	46	19.0 - 28.0
1SNG601127R0000	EP-SG-M40-LGR-D	7035	L.Grey	TYPE 4X	cURus	VDE	cCSAus	M40x1.5	18.0	45.4	52.4	46	46	19.0 - 28.0
1SNG601128R0000	EP-SG-M40-GR-D	7001	Grey	TYPE 4X	cURus	VDE	cCSAus	M40x1.5	18.0	45.4	52.4	46	46	19.0 - 28.0
1SNG601129R0000	EP-SG-M40-BL-D	9005	Black	TYPE 4X	cURus	VDE	cCSAus	M40x1.5	18.0	45.4	52.4	46	46	19.0 - 28.0
1SNG601130R0000	EP-SG-M40-LGR-E	7035	L.Grey	TYPE 4X	cURus	VDE	cCSAus	M40x1.5	18.0	50.4	59.6	53	53	20.0 - 26.0
1SNG601131R0000	EP-SG-M40-GR-E	7001	Grey	TYPE 4X	cURus	VDE	cCSAus	M40x1.5	18.0	50.4	59.6	53	53	20.0 - 26.0
1SNG601132R0000	EP-SG-M40-BL-E	9005	Black	TYPE 4X	cURus	VDE	cCSAus	M40x1.5	18.0	50.4	59.6	53	53	20.0 - 26.0
1SNG601133R0000	EP-SG-M40-LGR-F	7035	L.Grey	TYPE 4X	cURus	VDE	cCSAus	M40x1.5	18.0	50.4	59.6	53	53	22.0 - 32.0
1SNG601134R0000	EP-SG-M40-GR-F	7001	Grey	TYPE 4X	cURus	VDE	cCSAus	M40x1.5	18.0	50.4	59.6	53	53	22.0 - 32.0
1SNG601135R0000	EP-SG-M40-BL-F	9005	Black	TYPE 4X	cURus	VDE	cCSAus	M40x1.5	18.0	50.4	59.6	53	53	22.0 - 32.0
1SNG601136R0000	EP-SG-M50-LGR-A	7035	L.Grey	TYPE 4X	cURus	VDE	cCSAus	M50x1.5	18.0	52.8	67.8	60	60	25.0 - 31.0
1SNG601137R0000	EP-SG-M50-GR-A	7001	Grey	TYPE 4X	cURus	VDE	cCSAus	M50x1.5	18.0	52.8	67.8	60	60	25.0 - 31.0
1SNG601138R0000	EP-SG-M50-BL-A	9005	Black	TYPE 4X	cURus	VDE	cCSAus	M50x1.5	18.0	52.8	67.8	60	60	25.0 - 31.0
1SNG601139R0000	EP-SG-M50-LGR-B	7035	L.Grey	TYPE 4X	cURus	VDE	cCSAus	M50x1.5	18.0	52.8	67.8	60	60	30.0 - 38.0
1SNG601140R0000	EP-SG-M50-GR-B	7001	Grey	TYPE 4X	cURus	VDE	cCSAus	M50x1.5	18.0	52.8	67.8	60	60	30.0 - 38.0
1SNG601141R0000	EP-SG-M50-BL-B	9005	Black	TYPE 4X	cURus	VDE	cCSAus	M50x1.5	18.0	52.8	67.8	60	60	30.0 - 38.0
1SNG601142R0000	EP-SG-M63-LGR-A	7035	L.Grey	TYPE 4X	cURus	VDE	cCSAus	M63x1.5	18.0	52.9	72.4	65	65	29.0 - 35.0
1SNG601143R0000	EP-SG-M63-GR-A	7001	Grey	TYPE 4X	cURus	VDE	cCSAus	M63x1.5	18.0	52.9	72.4	65	65	29.0 - 35.0
1SNG601144R0000	EP-SG-M63-BL-A	9005	Black	TYPE 4X	cURus	VDE	cCSAus	M63x1.5	18.0	52.9	72.4	65	65	29.0 - 35.0
1SNG601145R0000	EP-SG-M63-LGR-B	7035	L.Grey	TYPE 4X	cURus	VDE	cCSAus	M63x1.5	18.0	52.9	72.4	65	65	34.0 - 44.0
1SNG601146R0000	EP-SG-M63-GR-B	7001	Grey	TYPE 4X	cURus	VDE	cCSAus	M63x1.5	18.0	52.9	72.4	65	65	34.0 - 44.0
1SNG601147R0000	EP-SG-M63-BL-B	9005	Black	TYPE 4X	cURus	VDE	cCSAus	M63x1.5	18.0	52.9	72.4	65	65	34.0 - 44.0
1SNG601148R0000	EP-SG-M75-LGR-A	7035	L.Grey	TYPE 4X	cURus	VDE	cCSAus	M75x1.5	25.0	54.7	89.0	75	80	48.0 - 55.0
1SNG601149R0000	EP-SG-M75-GR-A	7001	Grey	TYPE 4X	cURus	VDE	cCSAus	M75x1.5	25.0	54.7	89.0	75	80	48.0 - 55.0
1SNG601150R0000	EP-SG-M75-BL-A	9005	Black	TYPE 4X	cURus	VDE	cCSAus	M75x1.5	25.0	54.7	89.0	75	80	48.0 - 55.0

3	1	CAP	-	PA6 V2 (F1 Listed)	-
2	1	SEAL	-	CR	-
1	1	BODY	-	PA6 V2 (F1 Listed)	-
RPT	QTY	DOC TITLE	DRAWING NUMBER	MATERIAL	COMMENTS
THIS DRAWING IS A CONTROLLED DOCUMENT.		DMN: Rajan, N. Kasli	02FEB2022		
		CHK: Rafeeq, Mohd	02FEB2022		
		APVD: Rafeeq, Mohd	02FEB2022		
DIMENSIONS:		TOLERANCES UNLESS OTHERWISE SPECIFIED:			
mm		0 PLC	±		
		1 PLC	±		
		2 PLC	±		
		3 PLC	±		
		4 PLC	±		
ANGLES					
FINISH					
MATERIAL					
REF. TABLE					
		WEIGHT		RESTRICTED TO	
		-		-	
		CUSTOMER DRAWING		-	
		SCALE		SHEET	
		5:1		4 OF 4	
		REV		A1	
		00779		A1	
		©=1SNP061305-0100			