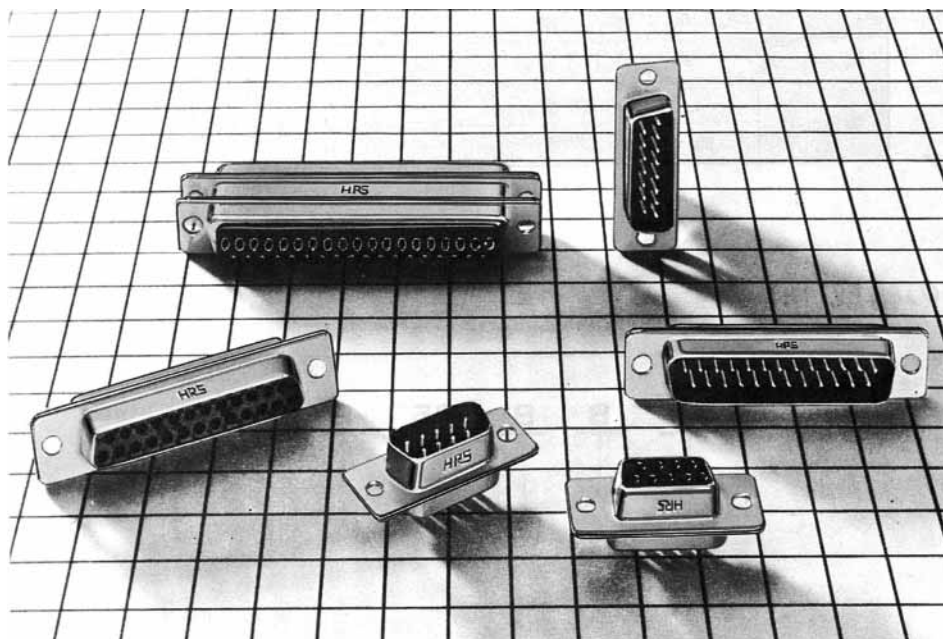


# HD SERIES SOLDER TYPE D SUBMINIATURE CONNECTOR

## General

H D Series subminiature connectors with stamped contacts are easy to solder to a wide variety of stranded and single conductor cables. 9, 15, 25, 37 and 50-contact models available.



## Features

- (1) Compact and sturdy due to metal shell.
- (2) Large solder cup enables use of wire up to 20 AWG.
- (3) Glass filled P.B.T. resin insulator offers excellent resistance to heat and chemicals.
- (4) Available in various plug cases such as CTF and CTH. A wide variety of combinations available, such as straight dipping (SD), right angle dipping (RD), crimping (CD), and ribbon IDC termination (FD).

## Application

Computers, peripherals and terminals, control equipment, radio equipment, and measuring instruments.

## Electrical and Environmental

| Electrical and Environmental Characteristics |                           |
|--|---------------------------|
| Current capacity                             | 3A                        |
| Rated voltage                                | 400V AC                   |
| Insulation resistance                        | 5000mΩ min.<br>at 500V DC |
| Contact resistance                           | 7mΩ max.<br>at 100mA DC   |
| Withstand voltage                            | 1250Vrms AC for 1 minute  |

| Material and finish |                |                         |
|---------------------|----------------|-------------------------|
| Shell               | Steel          | Nickel plating          |
| Insulator           | PBT (GE Valox) | Black                   |
| Contact             | Male           | Copper alloy            |
|                     | Female         | Phosphor bronze         |
|                     |                | Selective Gold + Nickel |

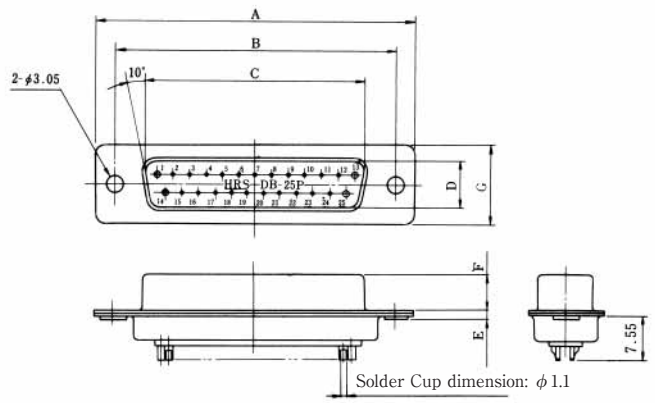
## Ordering Informations

HD B B — 25 P F (05)  
 (1) (2) (3) (4) (5) (6) (7)

- (1) Model number symbol HD: D sub-soldering type
- (2) Shell size: E, A, B, C and D
- (3) Serial symbols by type of connector unit:
- (4) Number of poles: 9, 15, 25, 37 and 50
- (5) Terminal opening shape symbol  
 P: male terminal  
 S: female terminal
- (6) F: shell dimple machined
- (7) Specification contents  
 (05): Shell: Nickel plating  
 Termination of contact: Nickel plating+gold flash plating



HDBB-25P (05)



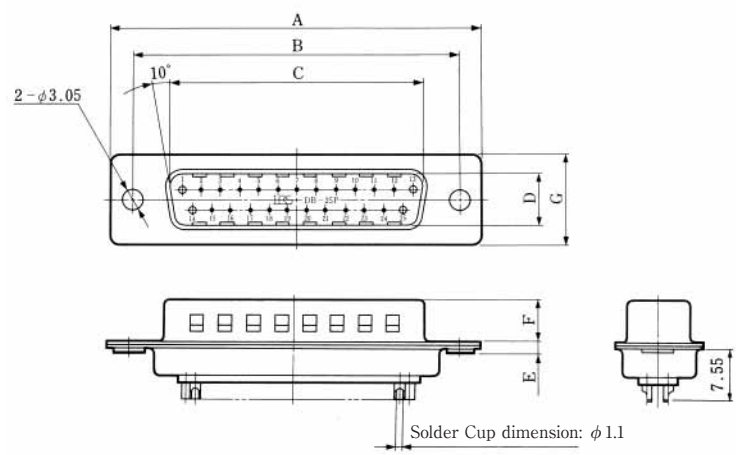
Note 1: Soldering should be made within 4 seconds using a soldering iron of 40 W or less.  
 Note 2: The figure shows a 25-contact model (HDBB-25P (05))

Unit: mm

| HRS No          | No. of pin | Part No.      | A     | B     | C     | D     | E   | F    | G     | RoHS |
|-----------------|------------|---------------|-------|-------|-------|-------|-----|------|-------|------|
| CL211-0232-6-05 | 9          | HDEB-9P (05)  | 30.81 | 24.99 | 16.9  | 8.34  | 1.2 | 5.99 | 12.55 | YES  |
| CL211-0234-1-05 | 15         | HDAB-15P (05) | 39.14 | 33.32 | 25.24 | 8.34  | 1.2 | 5.99 | 12.55 |      |
| CL211-0215-7-05 | 25         | HDBB-25P (05) | 53.04 | 47.04 | 39.01 | 8.4   | 1.3 | 5.87 | 12.55 |      |
| CL211-0236-7-05 | 37         | HDCB-37P (05) | 69.32 | 63.5  | 55.47 | 8.4   | 1.4 | 5.87 | 12.55 |      |
| CL211-0393-5-05 | 50         | HDDB-50P (05) | 66.93 | 61.11 | 52.85 | 11.13 | 1.5 | 5.87 | 15.37 |      |



HDBB-25PF (05)



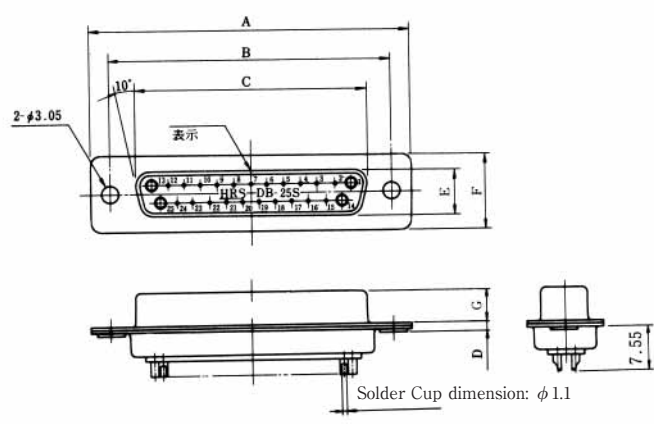
Note 1: Soldering should be made within 4 seconds using a soldering iron of 40 W or less.  
 Note 2: The figure shows a 25-contact model (HDBB-25PF (05))

Unit: mm

| HRS No          | No. of pin | Part No.       | A     | B     | C     | D    | E   | F    | G     | RoHS |
|-----------------|------------|----------------|-------|-------|-------|------|-----|------|-------|------|
| CL211-0566-1-05 | 9          | HDEB-9PF (05)  | 30.81 | 24.99 | 16.9  | 8.34 | 1.2 | 5.99 | 12.55 | YES  |
| CL211-0563-3-05 | 15         | HDAB-15PF (05) | 39.14 | 33.32 | 25.24 | 8.34 | 1.2 | 5.99 |       |      |
| CL211-0564-6-05 | 25         | HDBB-25PF (05) | 53.04 | 47.04 | 39.01 | 8.4  | 1.3 | 5.87 |       |      |
| CL211-0567-4-05 | 37         | HDCB-37PF (05) | 69.32 | 63.5  | 55.47 | 8.4  | 1.4 | 5.87 |       |      |
|                 |            |                |       |       |       |      | 1.4 | 5.87 |       |      |



HDBB-25S (05)

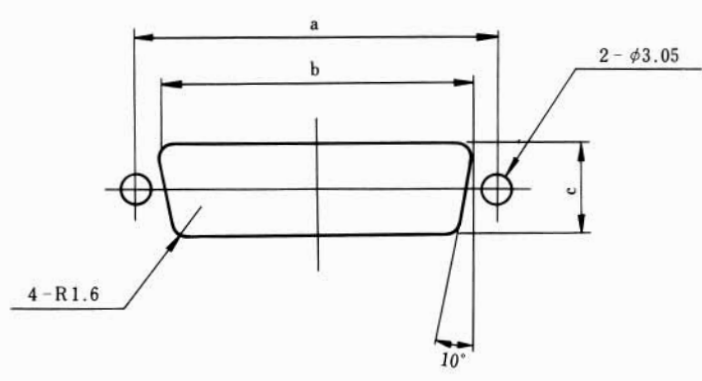


Note 1: Soldering should be made within 4 seconds using a soldering iron of 40 W or less.  
 Note 2: The figure shows a 25-contact model (HDBB-25S (05))

Unit: mm

| HRS No          | Noof pin | Part No.      | A     | B     | C     | D   | E     | F     | G    | RoHS |
|-----------------|----------|---------------|-------|-------|-------|-----|-------|-------|------|------|
| CL211-0233-9-05 | 9        | HDEB-9S (05)  | 30.81 | 24.99 | 16.4  | 1.2 | 7.82  | 12.55 | 6.17 | YES  |
| CL211-0235-4-05 | 15       | HDAB-15S (05) | 39.14 | 33.32 | 24.59 | 1.2 | 7.82  | 12.55 | 6.17 |      |
| CL211-0216-0-05 | 25       | HDBB-25S (05) | 53.04 | 47.04 | 38.3  | 1.2 | 7.82  | 12.55 | 6.17 |      |
| CL211-0237-0-05 | 37       | HDCB-37S (05) | 69.32 | 63.5  | 54.76 | 1.2 | 7.82  | 12.55 | 6.17 |      |
| CL211-0394-8-05 | 50       | HDDB-50S (05) | 66.93 | 61.11 | 52.35 | 1.2 | 10.63 | 15.37 | 6.17 |      |

## Mounting Cutout



Unit: mm

| Shell Size | a     | b    | c    |
|------------|-------|------|------|
| E          | 24.99 | 20.2 | 11.5 |
| A          | 33.32 | 28.6 | 11.5 |
| B          | 47.04 | 42.3 | 11.5 |
| C          | 63.5  | 58.7 | 11.5 |
| D          | 61.11 | 56   | 14.3 |

# Mouser Electronics

Authorized Distributor

Click to View Pricing, Inventory, Delivery & Lifecycle Information:

## Hirose Electric:

[HDB-B-25S\(05\)](#) [HDA-B-15S\(05\)](#) [HDAB-15PF\(05\)](#) [HDCB-37P\(05\)](#) [HDAB-15S\(57\)](#) [HDA-15P\(50\)](#) [HDAB-15P\(05\)](#)  
[HDC-37P\(50\)](#) [HDAB-15P\(57\)](#) [HDB-25P\(50\)](#)