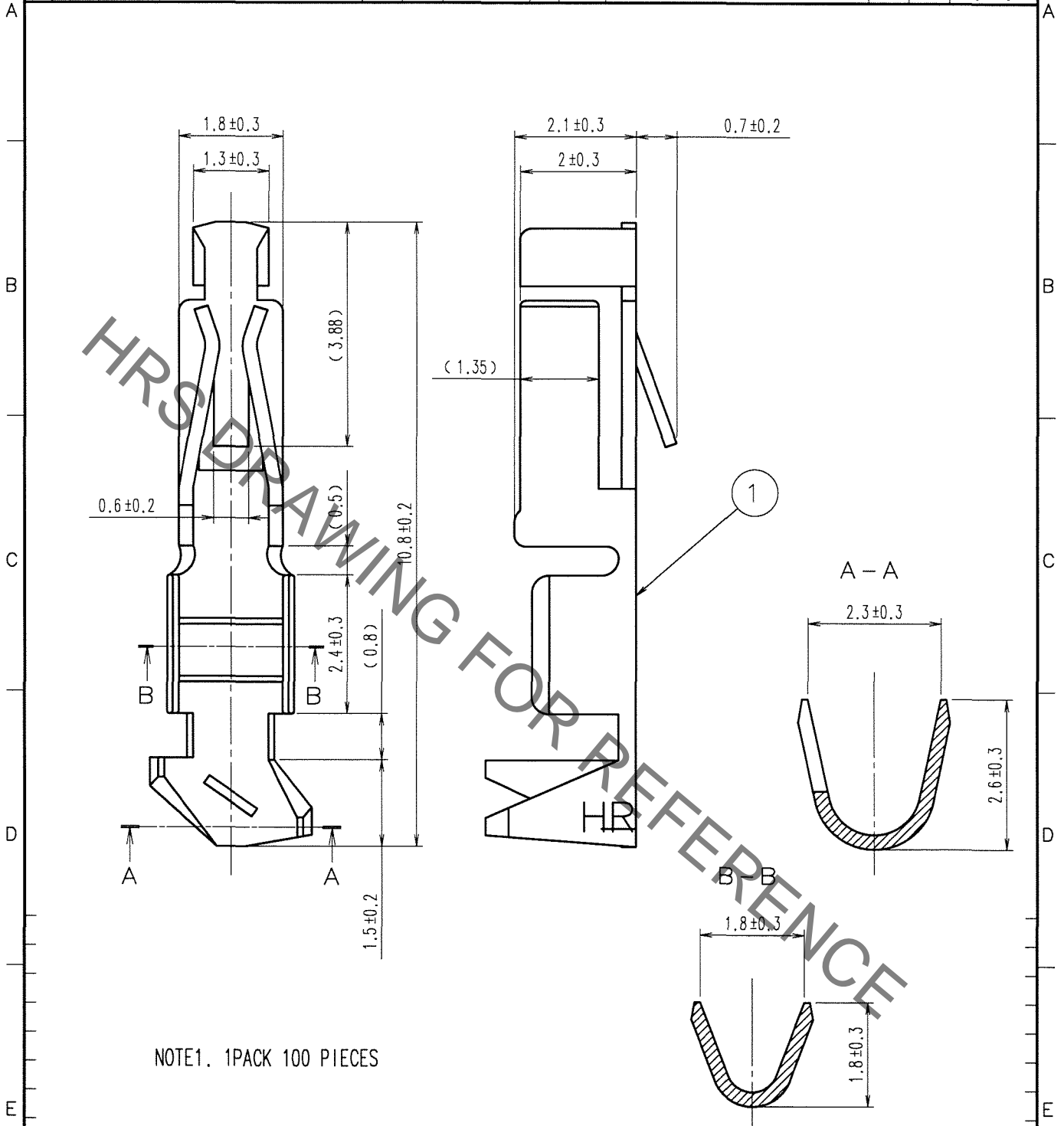


Jul.1.2019 Copyright 2019 HIROSE ELECTRIC CO., LTD. All Rights Reserved.
 In case of consideration for using Automotive equipment / device which demand high reliability, kindly contact our sales window correspondents.

1		2			3			4		
COUNT	DESCRIPTION OF REVISIONS	BY	CHKD	DATE	COUNT	DESCRIPTION OF REVISIONS	BY	CHKD	DATE	
△				..	△				..	
△				..	△				..	
△				..	△				..	



1	PHOSPHOR BRONZE	TIN PLATED 2μm min							
NO.	MATERIAL	FINISH, REMARKS	NO.	MATERIAL	FINISH, REMARKS				
CODE NO. (OLD)			DRAWN	DESIGNED	CHECKED	APPROVED	RELEASED		
			A.MIYAZAKI	A.MIYAZAKI	<i>H. Umehara</i>	<i>J. Ona</i>			
			'06.08.03	'06.08.03	<i>06.08.05</i>	<i>06.08.07</i>			
DRAWING NO. EDC4-008108-02		PART NO. HNC-2.5S-D-A(15)		CODE NO. CL218-0037-5-15		1/1			
SCALE 5 : 1		UNITS mm		HRS HIROSE ELECTRIC CO., LTD.					

TO

Mouser Electronics

Authorized Distributor

Click to View Pricing, Inventory, Delivery & Lifecycle Information:

[Hirose Electric:](#)

[HNC-2.5S-D-A\(15\)](#)