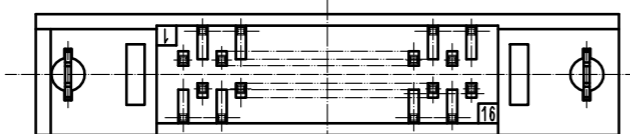
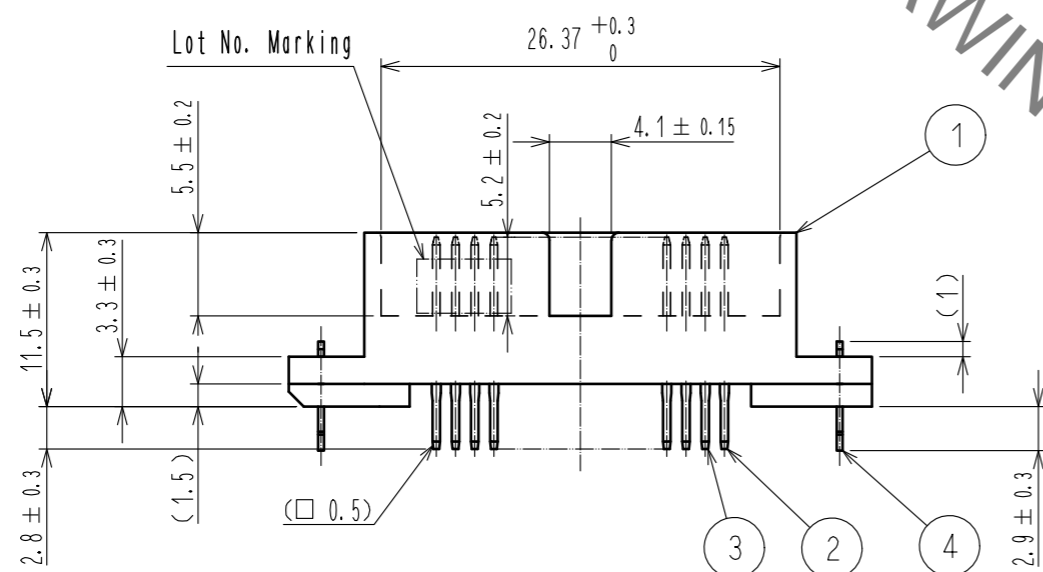
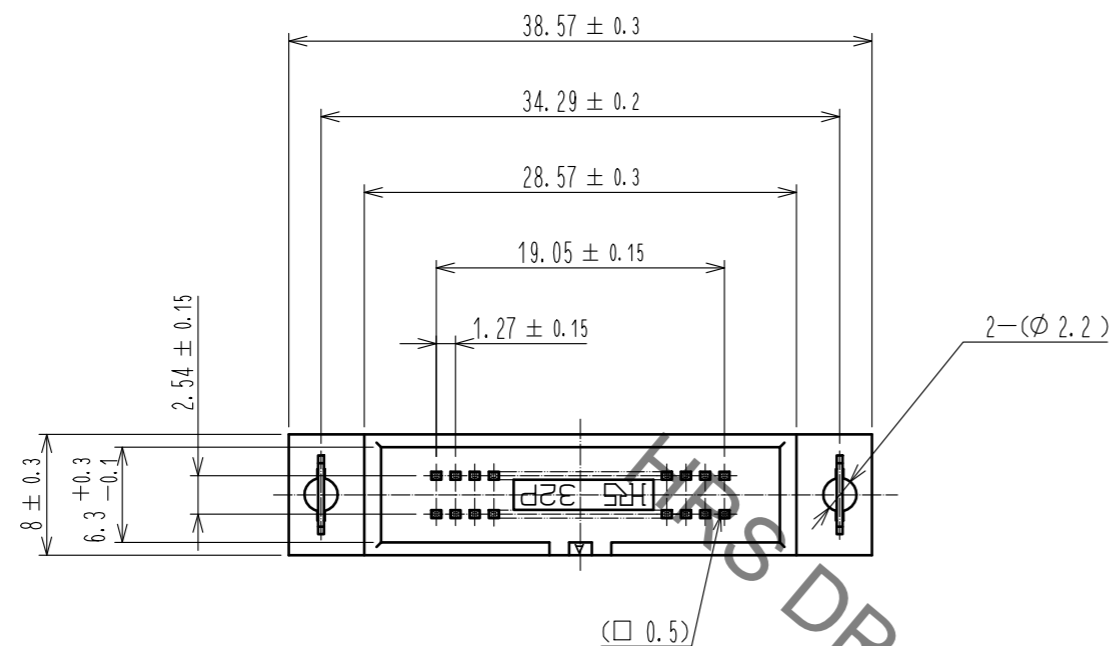
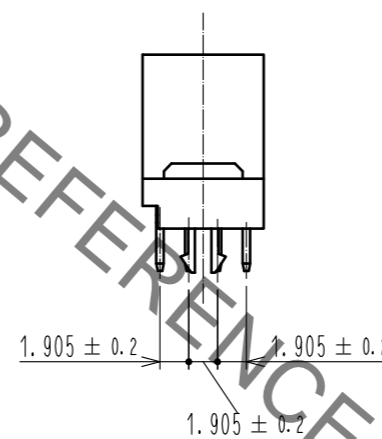
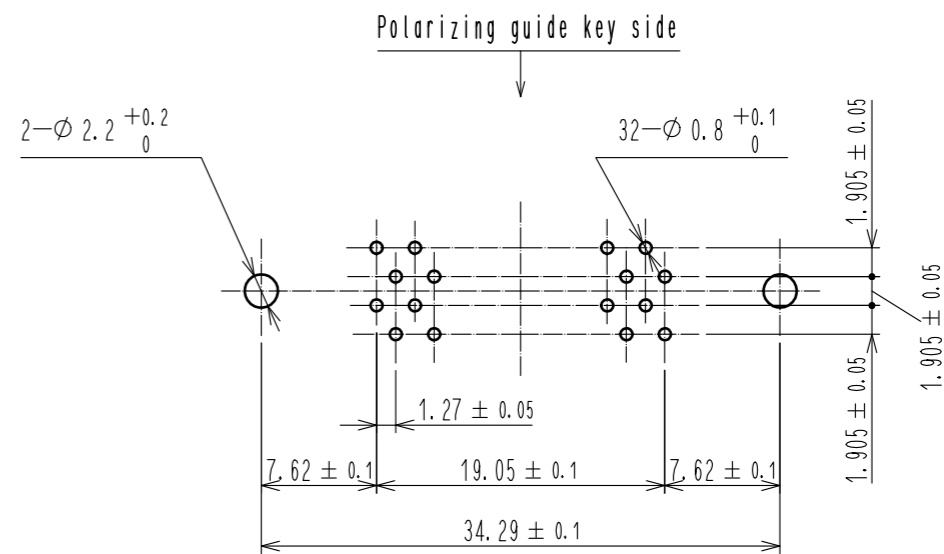


Jul.1.2019 Copyright 2019 HIROSE ELECTRIC CO., LTD. All Rights Reserved.
 In case of consideration for using Automotive equipment / device which demand high reliability, kindly contact our sales window correspondents.



Recommended PC board hole pattern (mounting side)



Notes 1 The dimensions in parentheses are for reference.

| 2 | BRASS | Contact area : Gold 0.2 μ m min | 4 | PHOSPHOR BRONZE | Tin-Plating | | | |
|--------------------------------------|----------|--|-----------|----------------------------------|--|----------|--------------------------------------|------|
| | | Dip area : TIN-Plating 2 μ m min | | | 3 | BRASS | Contact area : Gold 0.2 μ m min | |
| | | Under plating : Nickel 2.5 μ m min | | | | | Dip area : TIN-Plating 2 μ m min | |
| 1 | PBT | BLACK UL94V-0 | | | Under plating : Nickel 2.5 μ m min | | | |
| NO. | MATERIAL | FINISH . REMARKS | NO. | MATERIAL | FINISH . REMARKS | | | |
| UNITS mm | | SCALE 2 : 1 | COUNT | DESCRIPTION OF REVISIONS | | DESIGNED | CHECKED | DATE |
| HRS HIROSE ELECTRIC CO., LTD. | | APPROVED : HT. YAMAGUCHI | 18.06.25 | DRAWING NO. EDC-019341-71-21 | | | | |
| | | CHECKED : HT. YAMAGUCHI | 18.06.25 | PART NO. HIF6B-32PA-1.27DSAL(71) | | | | |
| | | DESIGNED : TY. EDAGAWA | 18.06.25 | CODE NO. CL631-0553-7-71 | | | | |
| | | DRAWN : MK. OOKI | 18.06.21 | | | | | |

Mouser Electronics

Authorized Distributor

Click to View Pricing, Inventory, Delivery & Lifecycle Information:

[Hirose Electric:](#)

[HIF6B-32PA-1.27DSAL\(71\)](#)