

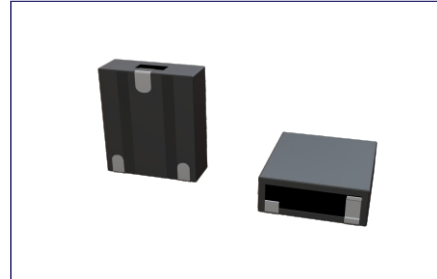


SMD 6.0x6.2 & DIP 6.0x6.3 PACKAGE

PRODUCT FEATURES

- Compact and lightweight
- Suitable for mobile devices
- Responsive and reliable performance
- Standardized products
- Suitable for different dedicated circuits
- High cost performance
- RoHS compliant

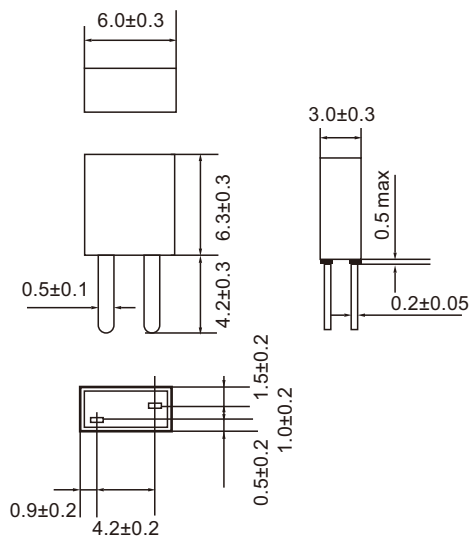
PRODUCT PHOTO



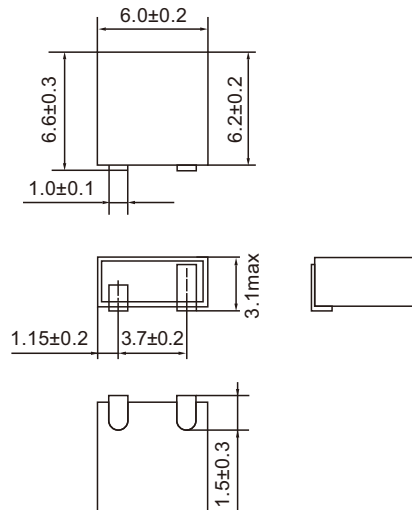
PRODUCT SPECIFICATIONS

Part Number		Receiver Audio 3dB Bandwidth (KHz)	Receiver Audio Output Voltage (mv)	Distortion (% max)
CDBM455C7	CDBB455C7	±4.0	340±60	3.0
CDBM455C16	CDBB455C16	±4.0	185±40	2.0
CDBM455C24	CDBB455C24	±4.0	100±40	2.0
CDBM455C28	CDBB455C28	±4.0	40±20	3.0
CDBM455C32	CDBB455C32	±4.0	40±20	3.0
CDBM455C40	CDBB455C40	±4.0	40±20	3.0
CDBM455C49	CDBB455C49	±4.0	40±15	3.0

PACKAGE OUTLINE / DIMENSIONS



CDBM Series



CDBB Series