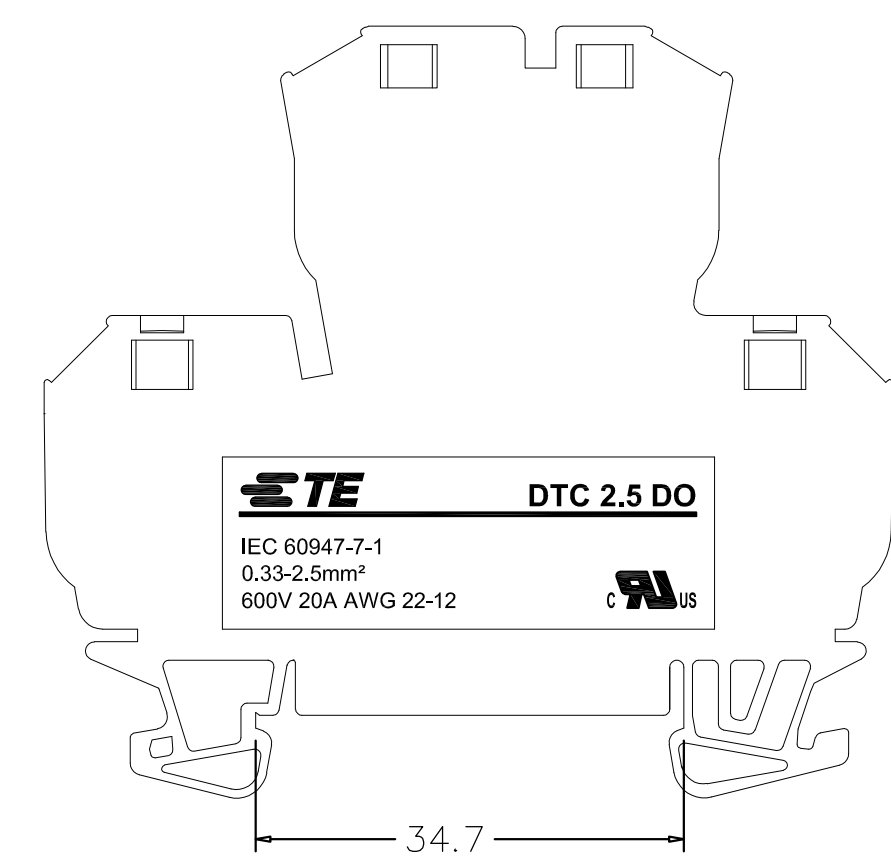
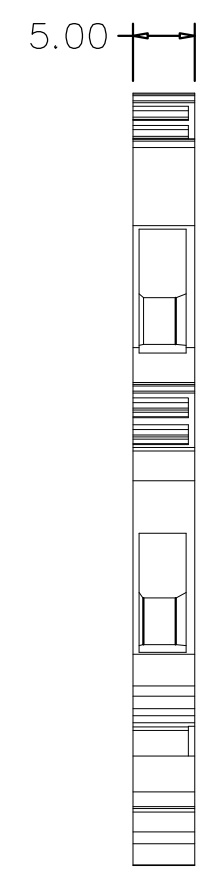
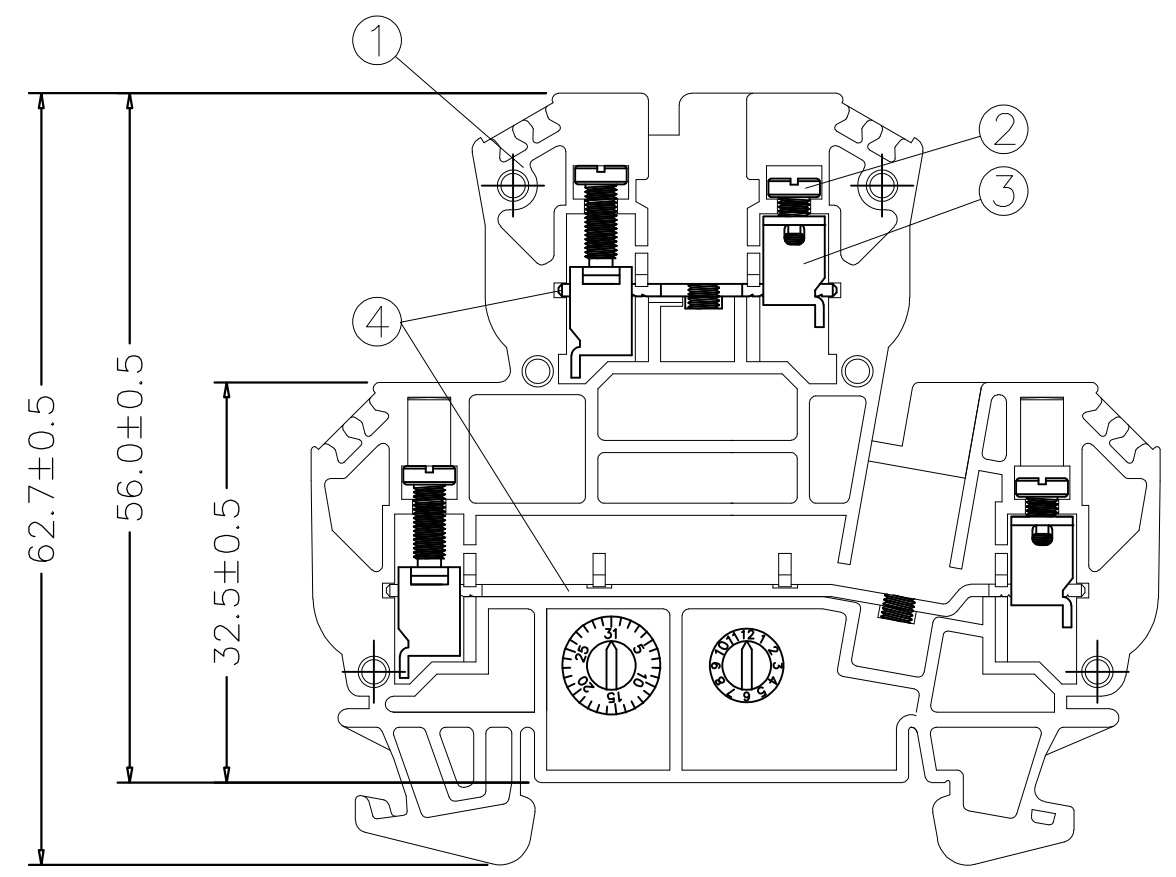
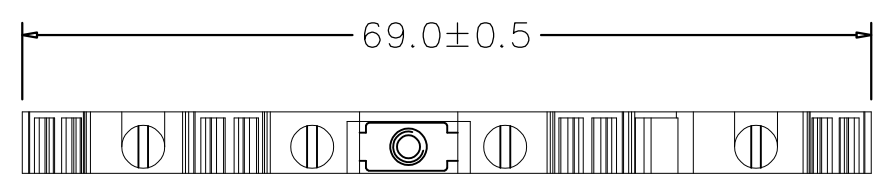


THIS DRAWING IS UNPUBLISHED. RELEASED FOR PUBLICATION
 © COPYRIGHT - By - ALL RIGHTS RESERVED.

REVISIONS					
P	LTR	DESCRIPTION	DATE	DWN	APVD
	A	OFFICIAL VERSION RELEASE	25DEC2016	F.Y	X.X



STE DTC 2.5 DO
 IEC 60947-7-1
 0.33-2.5mm²
 600V 20A AWG 22-12

NOTES:

1. Material: See table
2. Rated current & voltage : (UL)20Amp 600V , (IEC)24Amp 800V,
3. Impulse withstand voltage: 6KV
4. Screw Size & torque: M2.6 , 5 lbs-in(0.57Nm)
5. Wire strip length: 8-10mm
6. Suitable wire size : (UL)22 - 12 AWG , (IEC)0.33-2.5mm²
7. Requirement for environmental substance must be compliance with ROHS and REACH.

DTC 2.5DO	2271693-5	BLACK
	2271693-4	ORANGE
	2271693-3	RED
	2271693-2	BLUE
	2271693-1	GRAY
TE SERIES No.	PART NUMBER	COLOR

ITEM	COMPONENTS	MATERIAL	Q'TY	PLATING
4	TERMINAL	COPPER ALLOY	2	Tin Plated
3	CLAMP	STEEL	4	Zinc Plated
2	SCREW	STEEL	4	Zinc Plated
1	HOUSING	THERMOPLASTIC	1	

THIS DRAWING IS A CONTROLLED DOCUMENT.		DWN FENCER YU 25DEC2016	STE TE Connectivity		
DIMENSIONS: mm		CHK KOBBY ZHAO 25DEC2016			
TOLERANCES UNLESS OTHERWISE SPECIFIED:		APVD XIANG XU 25DEC2016	NAME		
0 PLC ± 0.50		108-137172			
1 PLC ± 0.40		APPLICATION SPEC			
2 PLC ± 0.30		114-137172			
3 PLC ± -		WEIGHT 12.1 g			
4 PLC ± -		SIZE A3 CAGE CODE 00779 DRAWING NO C-2271693 RESTRICTED TO -			
ANGLES ± 3°		SCALE 1:1 SHEET 1 OF 1 REV A			
FINISH -		CUSTOMER DRAWING			