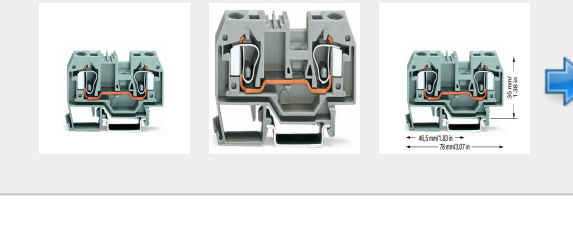
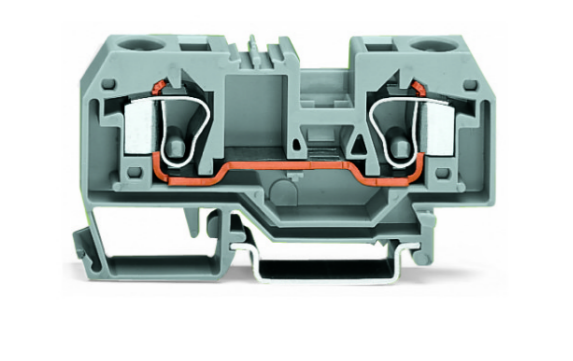




Item (Detail view)

2-conductor through terminal block, 10 mm<sup>2</sup>; center marking; for DIN-rail 35 x 15 and 35 x 7.5; CAGE CLAMP®



Item no.	284-001	GTN / EAN	4044918305730
Content	1 piece	Order unit	piece
Order quantity	25 piece	Increase in order quantity	(25, 50, 75, 100, ...)
Customer item no.		Customs tariff no.	85369010000
Customs duty for the country of origin	DE	Available	-
List price	On request	Net price	On request
Availability	On request		

Note: Some items may not be available from your local WAGO company. Please note that the quantities ordered in the shopping cart are rounded up to the PU (SPU).

RoHS  Compliant

Article details Approvals Downloads/Certificates Accessories

Description 2-conductor through terminal block, 10 mm<sup>2</sup>; center marking; for DIN-rail 35 x 15 and 35 x 7.5; CAGE CLAMP®

Remarks

Item properties

Miscellaneous

Name	Value	Unit
Connection technology	CAGE CLAMP®	
Actuation type	Operating tool	
Connectable conductor materials	Copper	
Solid conductor	0.2 ... 10 mm <sup>2</sup> / 24 ... 8 AWG	
Fine-stranded conductor	0.2 ... 10 mm <sup>2</sup> / 24 ... 8 AWG	
Strip length	12 ... 15 mm / 0.47 ... 0.51 inch	
Total number of connection points	2	
Total number of positions	1	
Number of levels	1	
Type of wiring	Front-entry wiring	
Width	10 mm / 0.394 in	
Height from upper-edge of DIN-35 rail	35 mm / 1.378 in	
Depth	78 mm / 3.071 in	
Design	horizontal	
Type of mounting	Carrier rail 35 x 15	
Marking level	Carrier marking	
Color	gray	
Insulating material	Polyamide 66 (PA 66)	
Fire load (MJ)	0.348	MJ
Weight (g)	23.1	g
Packaging type	BOX	
[mm]	10	mm
Main product function	Through term. block	
Product type	Through rail-mount term. blocks	

Upwards