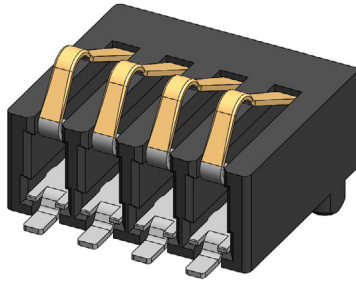


Battery Connector 1.27mm Pitch

9155-020



GENERAL DESCRIPTION

Board-to-Board battery connectors were originally designed for mobile equipment, but now it can be used for much wider range of applications. KYOCERA AVX Interconnect extends their range of board-to-board battery connectors to include a 1.27mm small pitch part. This new version 9155-020 has a nominal working height 2.5-3.1mm. This series includes 2 through 5 position connectors that are end to end stackable. These connectors are rated at a full 3 Amps per contact for 2 & 3 ways and 2 Amps per contact for 4 & 5 ways.

The complete family of connectors 9155 series from Kyocera AVX offer all the same advantages: Ultra reliable and robust gold plated beryllium copper contacts provide high integrity connections in harsh environments, with up to 15000 mating operations. Parts are supplied in tape and reel for automatic pick and place. Whatever your requirements, the 9155 series battery connector can also be customized to suit our applications.

APPLICATIONS

- Handheld/portable devices requiring docking or cradle charging
- Battery packs of portable oxygen generator products
- Patient monitoring or portable medical electronics
- Industrial devices requiring pluggable or programming modules
- Internet appliances requiring battery back-up

SIZES

- 2pos thru 5pos

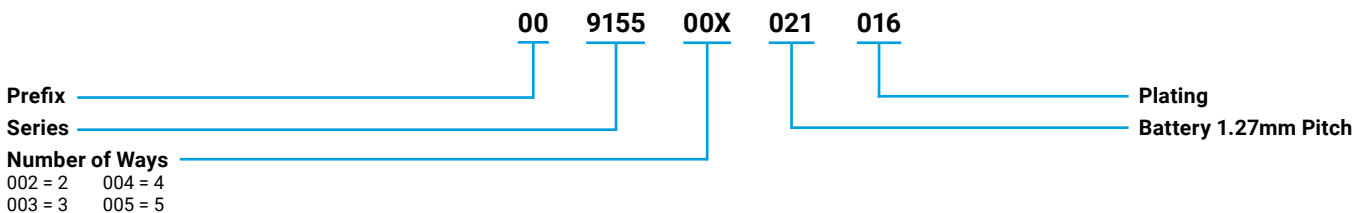
ELECTRICAL

- Voltage Rating: 400 VAC
- Current Rating: 3 Amp / Contact (2 & 3 way)
2 Amp / Contact (4 & 5 way)

ENVIRONMENTAL

- Operating Temperature: -40°C to +125°C

HOW TO ORDER



FEATURES AND BENEFITS

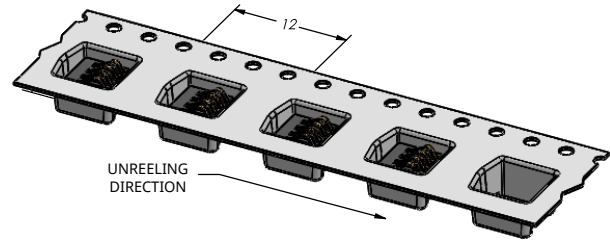
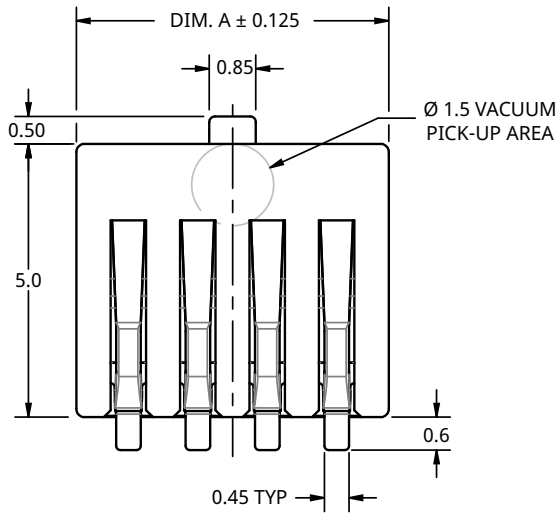
- Insulator height 2.35mm
- Gold plated BeCu contacts provide high electrical and mechanical performance
- Small pitch 1.27mm is extending the range of using battery connectors 9155 series
- Flame retardant plastic per UL94 V-0
- End-to-end stackable

MECHANICAL

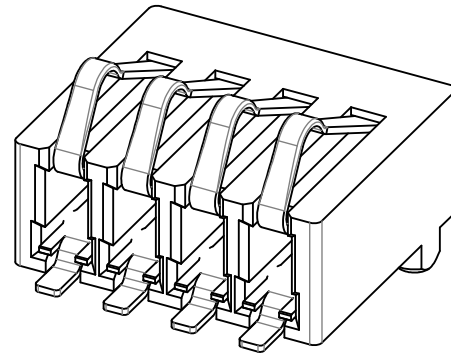
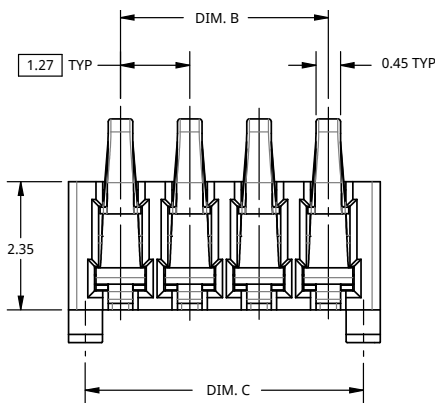
- Insulator Material: Glass filled LCP plastic, flame retardant per UL94 V-0
- Contact Material: Beryllium Copper
- Plating: Gold on Nose, Pure Tin SMT terminations over base Nickel
- Durability: Up to 15000 Cycles

Battery Connector 1.27mm Pitch

9155-020



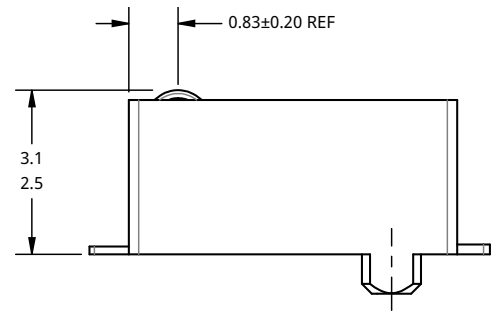
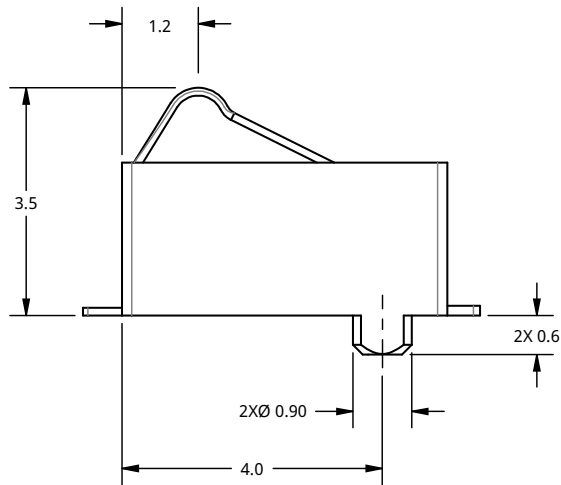
PACKAGING PER EIA-481
1,100 PARTS PER 330 mm REEL



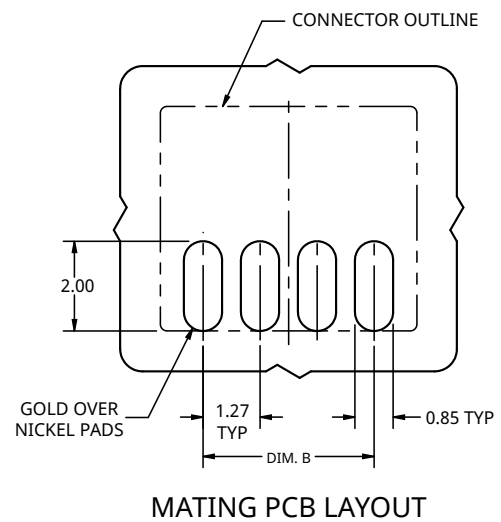
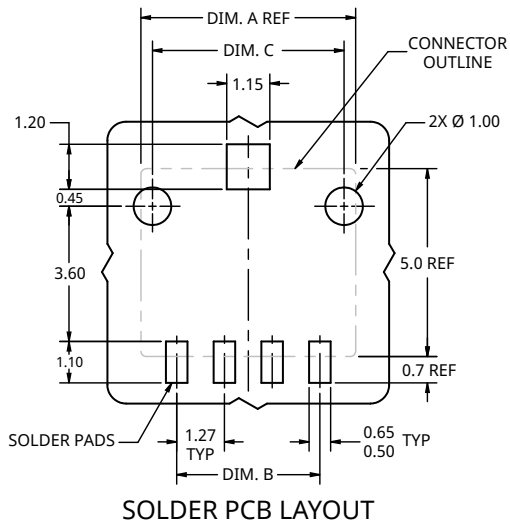
Part Number	POS.	DIM. A	DIM. B	DIM. C
00-9155-002-021-016	2	3.175	1.27	2.56
00-9155-003-021-016	3	4.445	2.54	3.83
00-9155-004-021-016	4	5.715	3.81	5.10
00-9155-005-021-016	5	6.985	5.08	6.37

Battery Connector 1.27mm Pitch

9155-020



WORKING RANGE
SEE NOTE 5



NOTES:

- HOUSING MATERIAL: GLASS-FILLED THERMOPLASTIC FLAME RETARDANT PER UL94V-0; COLOR: BLACK
- CONTACT MATERIAL: BERYLLIUM COPPER
- PLATING: 0.8 µm MIN DUCTILE NICKEL UNDERPLATE ALL OVER; 0.75 µm MIN HARD GOLD IN CONTACT AREA; 1.5 - 3.0 µm LEAD-FREE MATTE TIN ON TAILS
- SOLDER TAB: TIN-PLATED COPPER ALLOY
- NORMAL FORCE WORKING RANGE: 0.30 TO 0.55 N