

Features

- Dual surface mount packaging
- HIPOT 500 Vrms
- Operating temperature -40 °C to +85 °C
- Lead free version available (see How to Order)
- Lead free versions are RoHS compliant*

Applications

- Telecom

PT75161E - T1/E1 Transformer

Electrical Specifications @ 25 °C

Turns Ratio ±3 %
 (1-3):(12-11):(11-10)1:2:2
 (4-6):(9-8):(8-7)1:2:2

OCL (1-3) @ 1 kHz, 0.1 Vrms
10 mH min.

OCL (4-6) @ 1 kHz, 0.1 Vrms
10 mH min.

Le (1-3) @ 100 kHz, 0.1 Vrms,
 Short (pin 12-10)5 µH max.

Le (4-6) @ 100 kHz, 0.1 Vrms,
 Short (pin 9-7)5 µH max.

Cww (1,3) to (10,11,12)
 @ 100 kHz, 1 V100 pF max.

Cww (4,6) to (7,8,9)
 @ 100 kHz, 1 V100 pF max.

DCR (1-3) (Ω max.)3.5

DCR (4-6) (Ω max.)3.5

HIPOT (VAC)500

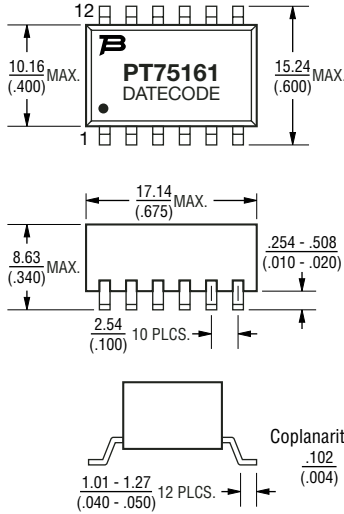
Return Loss (1-3) @ 5 kHz - 1 MHz,
 source (1-3) = 75 ohm,
 load (12-10) = 1.2K ohm18 dB min.

Return Loss (4-6) @ 5 kHz - 300 kHz,
 source (4-6) = 50 ohm,
 load (9-7) = 1.2K ohm18 dB min.

Return Loss (1-3) @ 5 kHz - 300 kHz,
 source (1-3) = 50 ohm,
 load (12-10) = 800 ohm20 dB min.

Return Loss (4-6) @ 5 kHz - 300 kHz,
 source (4-6) = 50 ohm,
 load (9-7) = 800 ohm20 dB min.

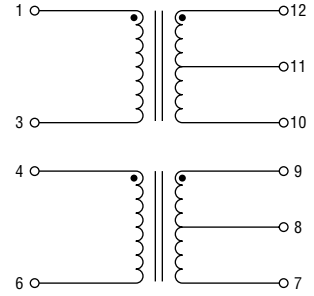
Product Dimensions



DIMENSIONS ARE: $\frac{\text{MM}}{\text{(INCHES)}}$

TOLERANCE: $\pm \frac{0.25}{(.010)}$

Electrical Schematic



How to Order

Model PT75161E

Termination _____
 Blank = Tin-lead
 L = Tin only (lead free)

Packaging Specifications

Tape & Reel330 pcs./reel