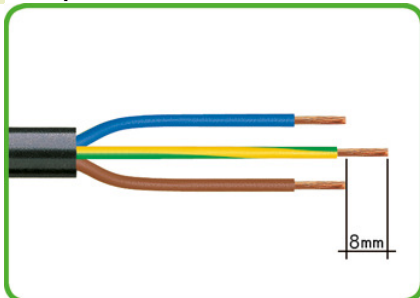


1 Handling WINSTA® MINI, 890 Series

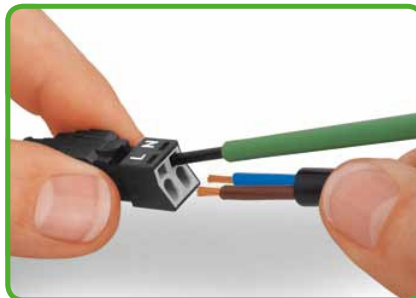
8

Preparation



1. Strip length, outer insulation = x mm ^①
2. Strip length = 9 mm
3. Extended ground conductor = 8 mm

Termination via CAGE CLAMP® S



To terminate fine-stranded conductors, open clamping unit via 2.5mm screwdriver and insert stripped conductor until it hits backstop. Solid conductors can be terminated by simply pushing them in.

Strain relief installation



Latch wired connector onto the base of the strain relief housing.

Conductor termination with . . .



To terminate fine-stranded conductors, open clamping units via 890-392 operating tool and insert stripped conductors until they hit backstop. Solid conductors can be terminated by simply pushing them in.

. . . Operating tool



To terminate fine-stranded conductors, open clamping units via 890-393 operating tool and insert stripped conductors until they hit backstop. Solid conductors can be terminated by simply pushing them in.



Shield termination



Connector with shield termination



Apply the shield to the rubber cable.
Strip length, outer insulation = 30 mm
Shield length = 8 mm



Push the shield connecting plate into the connector until fully inserted.

① Strip length, outer insulation: 2-pole = 30mm, 3-pole = 37mm, 4- and 5-pole = 45mm



Push down strain relief clamp by hand.



Push down strain relief clamp via 2.5mm screwdriver alternately on both sides.



Latch the top of the strain relief housing.

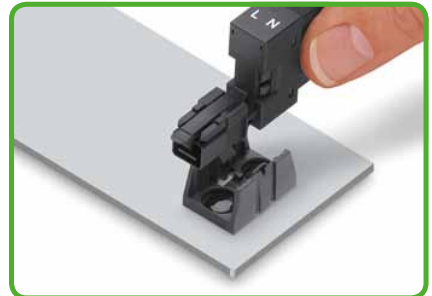


Mounting plate installation



Securing the mounting plate via fixing pins.

Snapping on distribution connector



The distribution connectors snap together when attached to the mounting plate.

Locking lever assembly



First insert wired connector into strain relief housing, then snap clamp and cover.



All connectors (snap-in versions, distribution connectors) for fixed installations are factory-equipped with locking levers to ensure plugs and sockets are securely locked. Additional locking levers are only required for "flying leads" (plug/socket).

Marking



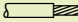
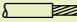
The printed marking of the connector is clearly visible in the openings of the strain relief housing.

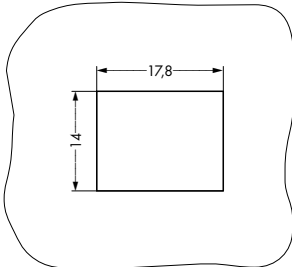
1 WINSTA® MINI

12



Snap-In Sockets and Plugs, 2-Pole



CAGE CLAMP®S

Cutout dimensions Plate thickness: 0.5 – 2 mm Cutout tolerance: + 0.1 mm	0.25 – 1.5 mm ² ① 250 V/4 kV/3 I _N 16 A	AWG 22 – 16	0.25 – 1.5 mm ² ① 250 V/4 kV/3 I _N 16 A	AWG 22 – 16
	 9 mm / 0.35 in ② Approvals		 9 mm / 0.35 in ② Approvals	



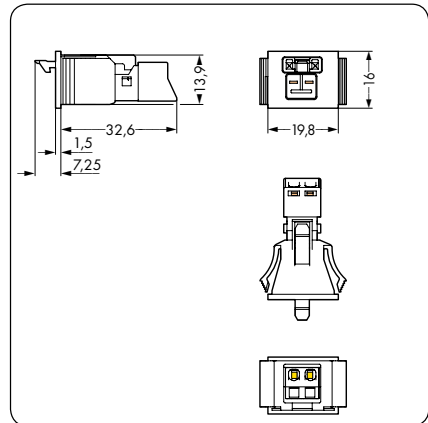
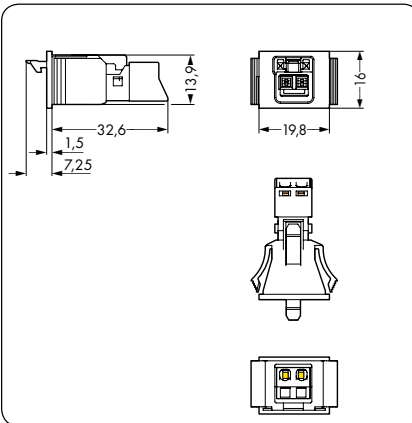
Description	Color	Item No.	Pack. Unit	Color	Item No.	Pack. Unit
Pluggable connectors, snap-in device connection, 2-pole, with CAGE CLAMP®S connection	Socket			Plug		
	● black	890-702	50	● black	890-712	50
	○ white	890-722	50	○ white	890-732	50
	● blue	890-2102	50	● blue	890-2112	50

Item-Specific Accessories	
Operating tool, insulated 2-pole  890-392 1	Operating tool, insulated 2-pole  890-392 1

Accessories, 890 Series	
Lockout cap, for cutout, 2-pole  black 890-642 100 white 890-692 100	Lockout cap, for cutout, 2-pole  black 890-642 100 white 890-692 100

Info	Dimensions
------	------------

- ① Conductor sizes: 0.25 – 1.5 mm² "s + f-st" 0.25 – 1 mm² "stranded"
 - ② For "International Certification Organizations" and "Approvals – User Guide," see pages 240 to 243.
 - ③ 5.0 mm Ø, 0.2 – 1.2 mm plate thickness
- black Coding A (L N)
 ○ white Coding A (L N)
 ● blue Coding I (+ -)
- For coding information, see pages 224 to 226.
 Fire load data available upon request.







Distribution Connectors, 2-Pole

	250 V/4 kV/3 I_N 16 A 2 Approvals	250 V/4 kV/3 I_N 16 A 2 Approvals
--	---	---

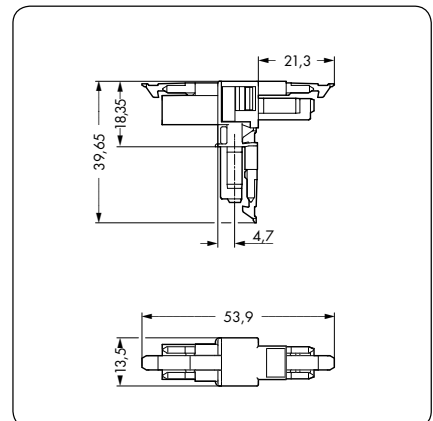
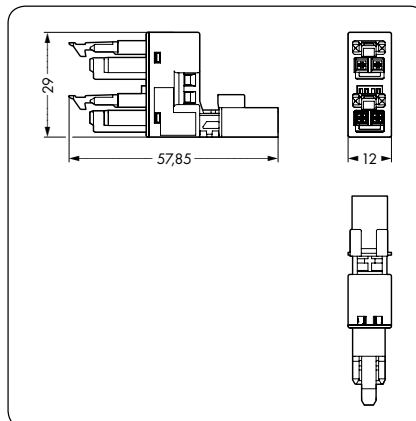


Description	Color	Item No.	Pack. Unit	Color	Item No.	Pack. Unit
h-distribution connector, 2-pole	h-distribution connector, unidirectional, plug / socket - socket			T-distribution connector, 1 x plug / 2 x socket		
T-distribution connector, 2-pole	● black	890-1634	50	● black	890-1606	25
	○ white	890-1684	50	○ white	890-1656	25
				● blue	890-1617	25
	for "flying leads," with 3rd locking lever			for "flying leads," with 3rd locking lever		
	● black	890-1636	50	● black	890-1615	25
	○ white	890-1686	50	○ white	890-1665	25
				● blue	890-1620	25

Item-Specific Accessories						
Mounting plate, for distribution connectors						
		black	890-1622	100		
		white	890-1672	100		
Fixing pin, for mounting plates						
		● black	890-601	250		

Accessories, 890 Series						
Locking lever, for "flying leads," tool operated			Locking lever, for "flying leads," tool operated			
		black	890-111	100 (2x50)		black 890-111 100 (2x50)
		white	890-131	100 (2x50)		white 890-131 100 (2x50)

Dimensions



WINSTA® - Perfectly plugged!