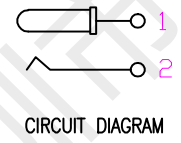
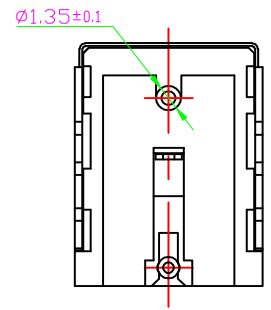
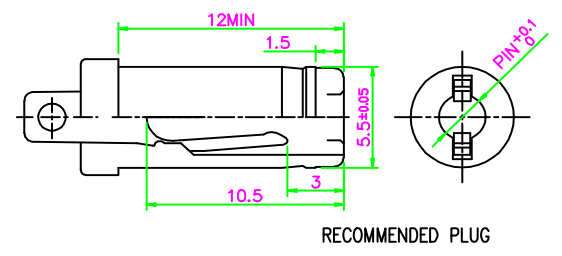
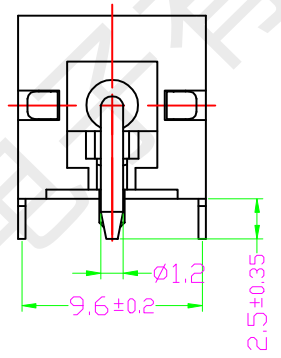
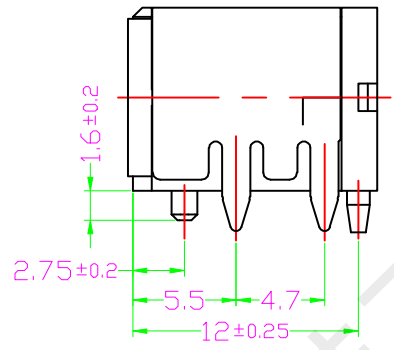
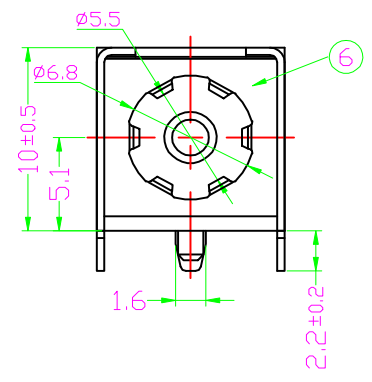


规格说明 Specifications:

- 电气特性 Electrical:
 - 额定电压(Rated voltage): 20V DC
 - 额定电流(Rated current): 7.0A
 - 接触电阻(Contact resistance): 30mΩ MAX
 - 绝缘电阻(Insulation resistance): 100MΩ Min
 - 耐电压(Withstand Voltage): 500V AC
- 机械性能 Mechanical:
 - 插入力(Mate force): 3-30N
 - 拔出力(Unmate force): 3-30N
 - 插拔次数(Durability): 5000 Cycles.
- 温度范围(Temperature Range): -25℃~+70℃



6	GROUND	1	SUS301 t=0.15	
5	SHELL	1	BRASS t=0.4	Ni PLATED
4	TERMINAL	1	SUS301 t=0.3	
3	PIN	1	BRASS H59	Au PLATED
2	SPRING	1	C5191 t=0.3	CuSn PLATED
1	HOUSING	1	PA9T UL94 V=0	BLACK
NO.	PART NAME	QTY	MATERIAL	REMARK

TOLERANCE	
X. ±0.50	X.XXX ±0.15
X.X ±0.35	
X.XX ±0.25	Angular ±2'
UNIT	
mm	
DWG TYPE.	
Customer Drawing	

PART NO.		深圳市韩下电子有限公司		
HX DC007B-2.0-J				
DRAWING NO.		TITLE.		
DC-007B-6P-φ2.0		DC POWER JACK		
APPROVED BY	CHECKED BY	DRAWN BY	PAGE	REV.
罗小春	张伟	黄彬	1 OF 1	1
2022/08/15	2022/08/15	2022/08/15	SCALE	
			1:1	

REV.	ECN NO	REVISION RECORD	DRAW	DATE
1				