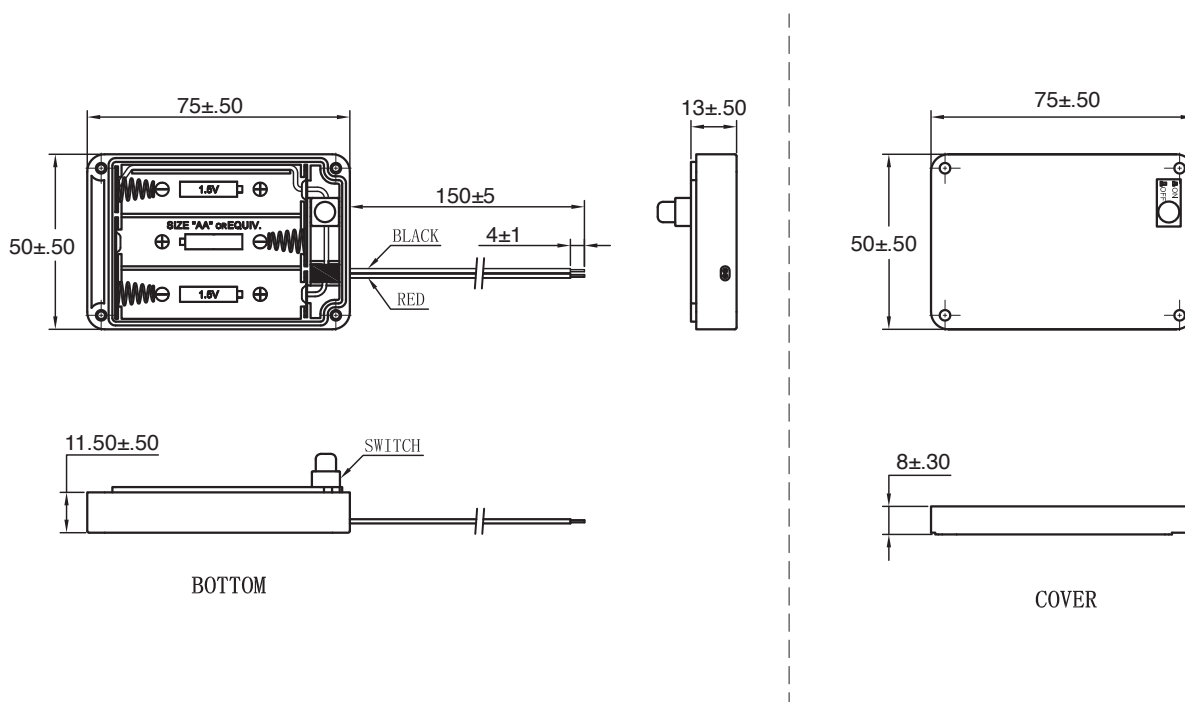


DIMENSIONS: mm



SPECIFICATIONS	
Wire:	AWG #26
Black & Red:	150MM±5MM
Strip & Tin:	4MM±1MM
Holder:	ABS Resin, Black Color
Spring:	ø0.5MM Spring Steel Nickel Plated
RoHS Compliant	

# Mouser Electronics

Authorized Distributor

Click to View Pricing, Inventory, Delivery & Lifecycle Information:

[Eagle Plastic Devices:](#)

[12PH331-IP-GR](#)