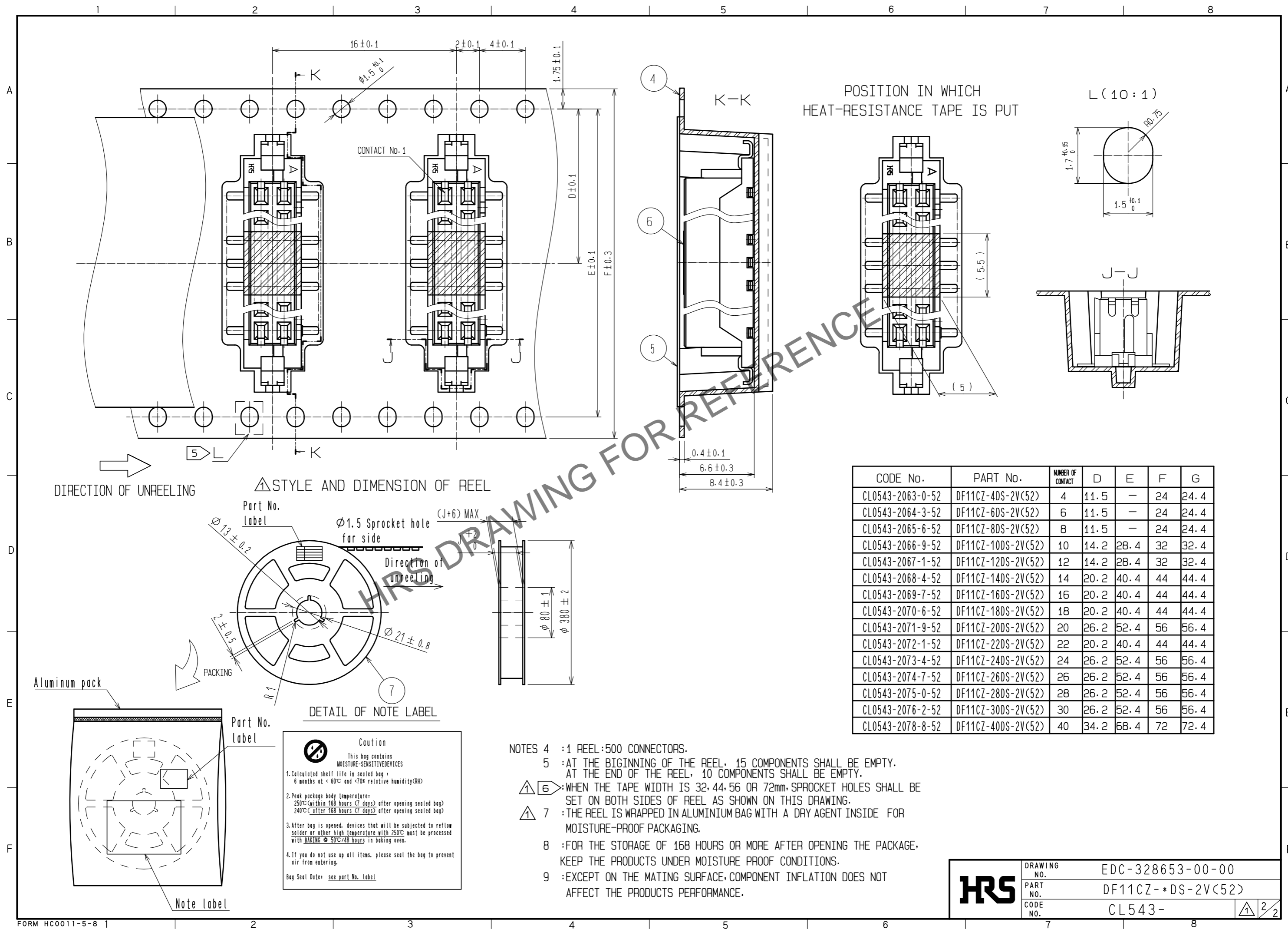


Jun.1.2024 Copyright 2024 HIROSE ELECTRIC CO., LTD. All Rights Reserved.
 In case of consideration for using Automotive equipment / device which demand high reliability, kindly contact our sales window correspondents.



POSITION IN WHICH HEAT-RESISTANCE TAPE IS PUT

L (10 : 1)

CODE No.	PART No.	NUMBER OF CONTACT	D	E	F	G
CL0543-2063-0-52	DF11CZ-4DS-2V(52)	4	11.5	—	24	24.4
CL0543-2064-3-52	DF11CZ-6DS-2V(52)	6	11.5	—	24	24.4
CL0543-2065-6-52	DF11CZ-8DS-2V(52)	8	11.5	—	24	24.4
CL0543-2066-9-52	DF11CZ-10DS-2V(52)	10	14.2	28.4	32	32.4
CL0543-2067-1-52	DF11CZ-12DS-2V(52)	12	14.2	28.4	32	32.4
CL0543-2068-4-52	DF11CZ-14DS-2V(52)	14	20.2	40.4	44	44.4
CL0543-2069-7-52	DF11CZ-16DS-2V(52)	16	20.2	40.4	44	44.4
CL0543-2070-6-52	DF11CZ-18DS-2V(52)	18	20.2	40.4	44	44.4
CL0543-2071-9-52	DF11CZ-20DS-2V(52)	20	26.2	52.4	56	56.4
CL0543-2072-1-52	DF11CZ-22DS-2V(52)	22	20.2	40.4	44	44.4
CL0543-2073-4-52	DF11CZ-24DS-2V(52)	24	26.2	52.4	56	56.4
CL0543-2074-7-52	DF11CZ-26DS-2V(52)	26	26.2	52.4	56	56.4
CL0543-2075-0-52	DF11CZ-28DS-2V(52)	28	26.2	52.4	56	56.4
CL0543-2076-2-52	DF11CZ-30DS-2V(52)	30	26.2	52.4	56	56.4
CL0543-2078-8-52	DF11CZ-40DS-2V(52)	40	34.2	68.4	72	72.4

- NOTES 4 : 1 REEL : 500 CONNECTORS.
 5 : AT THE BEGINNING OF THE REEL, 15 COMPONENTS SHALL BE EMPTY. AT THE END OF THE REEL, 10 COMPONENTS SHALL BE EMPTY.
 ① ⑥ : WHEN THE TAPE WIDTH IS 32, 44, 56 OR 72mm, SPROCKET HOLES SHALL BE SET ON BOTH SIDES OF REEL AS SHOWN ON THIS DRAWING.
 ① ⑦ : THE REEL IS WRAPPED IN ALUMINIUM BAG WITH A DRY AGENT INSIDE FOR MOISTURE-PROOF PACKAGING.
 8 : FOR THE STORAGE OF 168 HOURS OR MORE AFTER OPENING THE PACKAGE, KEEP THE PRODUCTS UNDER MOISTURE PROOF CONDITIONS.
 9 : EXCEPT ON THE MATING SURFACE, COMPONENT INFLATION DOES NOT AFFECT THE PRODUCTS PERFORMANCE.

Caution
 This bag contains MOISTURE-SENSITIVE DEVICES
 1. Calculated shelf life in sealed bag : 6 months at < 60°C and < 70% relative humidity (RH)
 2. Peak package body temperature : 250°C (within 168 hours (7 days) after opening sealed bag) 240°C (after 168 hours (7 days) after opening sealed bag)
 3. After bag is opened, devices that will be subjected to reflow solder or other high temperature with 250°C must be processed with BAKING @ 50°C/48 hours in baking oven.
 4. If you do not use up all items, please seal the bag to prevent air from entering.
 Bag Seal Date: see part No. Label

HRS	DRAWING NO.	EDC-328653-00-00
	PART NO.	DF11CZ-*DS-2V(52)
	CODE NO.	CL543-

① ②