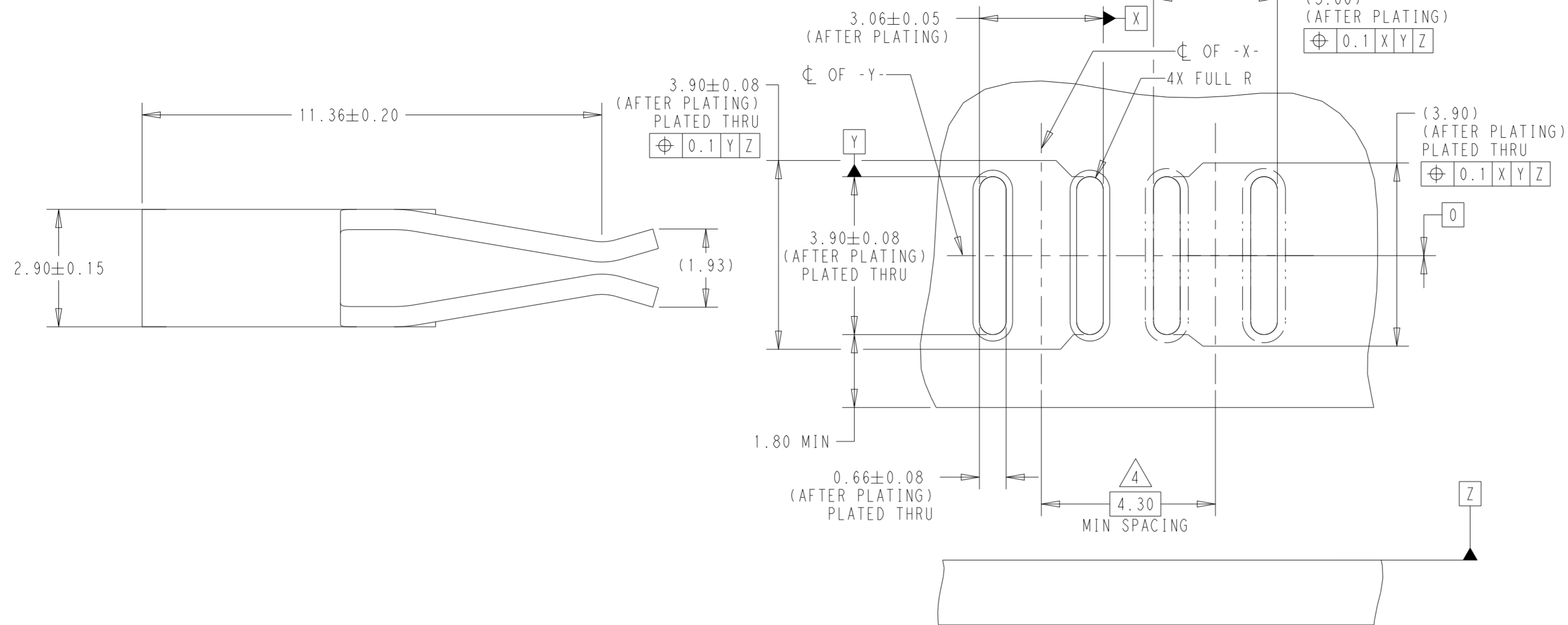
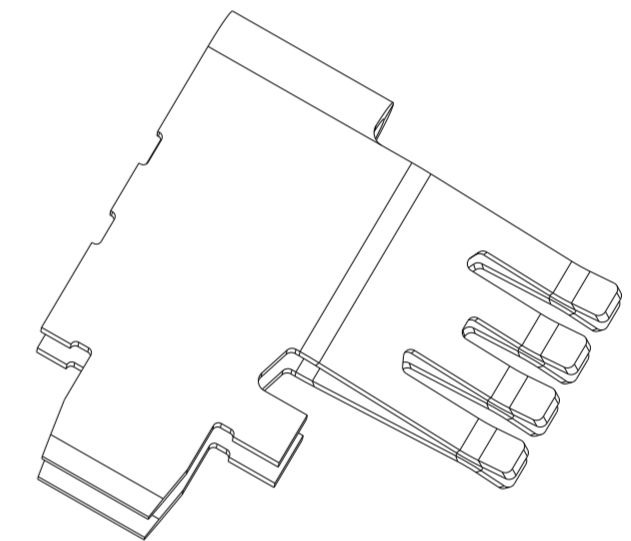
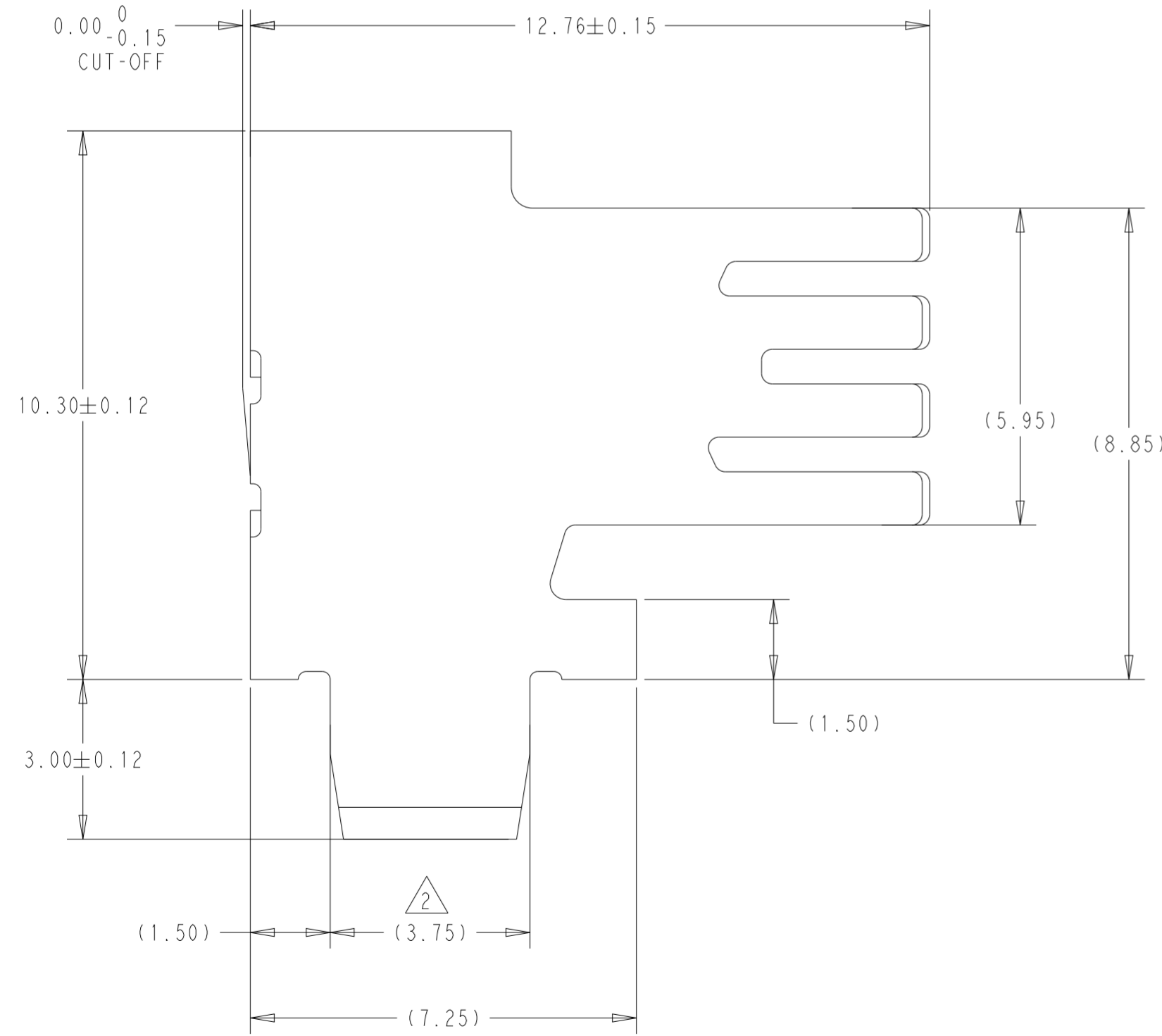


REVISIONS					
P	LTR	DESCRIPTION	DATE	DWN	APVD
D		REVISED PER ECN-23-227018	18AUG2023	BKW	AF
E		REVISED PER ECN-24-251571	08FEB2024	BKW	AF
E1		REVISED PER ECN-24-252074	14FEB2024	BKW	WM
E2		REVISED PER ECN-24-271168	17JUN2024	BKW	WM

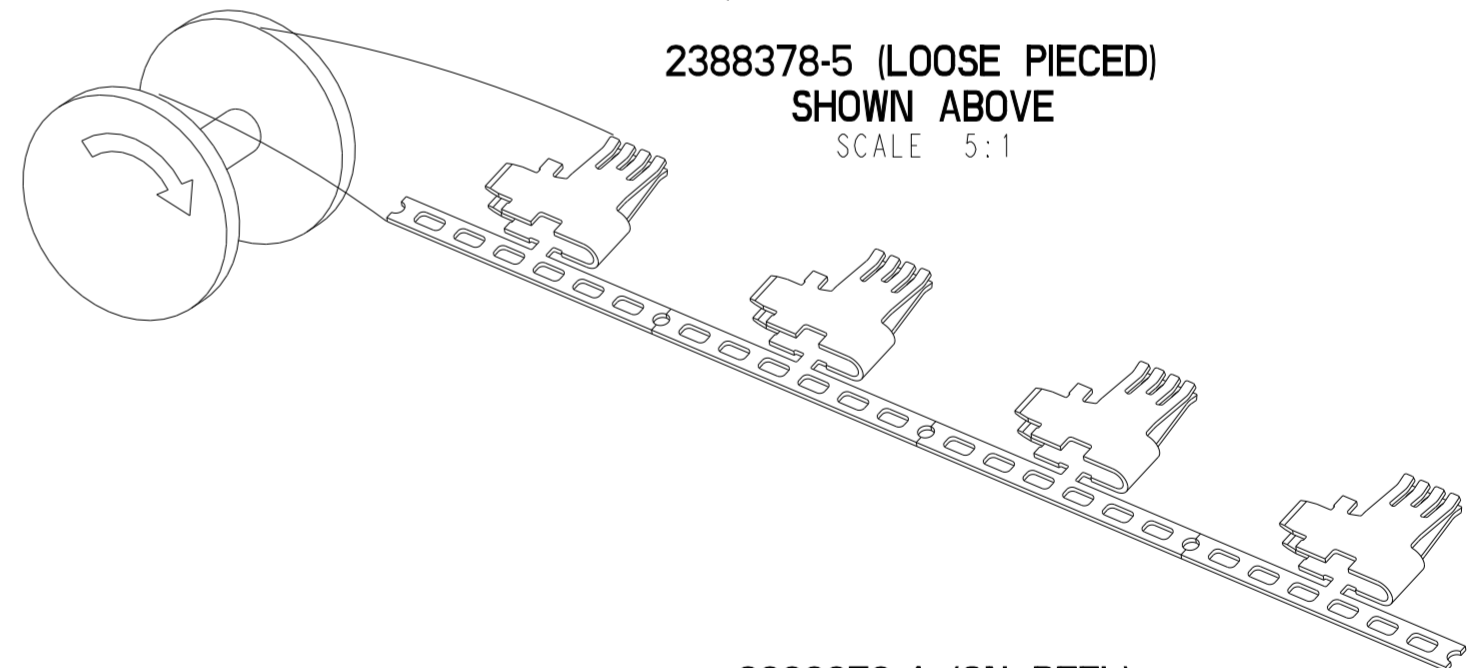


- 1 ALL DIMENSIONS SHOWN ARE REFERENCE UNLESS STATED OTHERWISE.
- 2 SELECTIVE TIN PLATING APPLIED TO ALL SURFACES IN AREAS SHOWN.
3. DESIGNED TO BE INSERTED DIRECTLY INTO A PCB WITH AN INTERFERENCE FIT BETWEEN THE TERMINALS SOLDER LEGS AND THE RECOMMENDED PCB SLOT LAYOUT.
- 4 PROPER TERMINAL SPACING CAN VARY DUE TO MANY FACTORS. TO VERIFY PROPER SPACING FOR YOUR APPLICATION PLEASE CONTACT TE PRODUCT ENGINEERING FOR A COMPLETE ANALYSIS.
- 5 PART IS LUBRICATED, AND LUBRICANT MAY BE PRESENT ON ENTIRE PART SURFACE. AVOID CONTACT WITH TERMINAL CONTACT ZONE DURING HANDLING TO AVOID REMOVING LUBRICANT FROM PART IN THIS AREA.

RECOMMENDED PCB LAYOUT
SCALE 10:1



2388378-5 (LOOSE PIECED)
SHOWN ABOVE
SCALE 5:1



2388378-4 (ON REEL)
SHOWN ABOVE
SCALE 3:2

LOOSE PIECED	NICKEL W/ SELECTIVE Sn	COPPER ALLOY	2388378-5
ON REEL	NICKEL W/ SELECTIVE Sn	COPPER ALLOY	2388378-4
CONFIGURATION	PLATING	MATERIAL	PART NUMBER

THIS DRAWING IS A CONTROLLED DOCUMENT.

DIMENSIONS:	TOLERANCES UNLESS OTHERWISE SPECIFIED:
mm	0 PLC ± 1
	1 PLC ± 1
	2 PLC ± 1
	3 PLC ± 1
	4 PLC ± 1
	ANGLES ±
MATERIAL	FINISH
SEE TABLE	SEE TABLE

DWN	08APR2021	TE Connectivity
CHK	08APR2021	
APVD	08APR2021	
NAME	W. MOYER	
PRODUCT SPEC	108-160280	RECEPTACLE TERMINAL, PCB BATTERY CONNECTOR
APPLICATION SPEC	114-160168	
SIZE	A2	RESTRICTED TO
CAGE CODE	00779	
DRAWING NO	C-2388378	
WEIGHT	-	
CUSTOMER DRAWING	SCALE 10:1	SHEET 1 OF 1
		REV E2