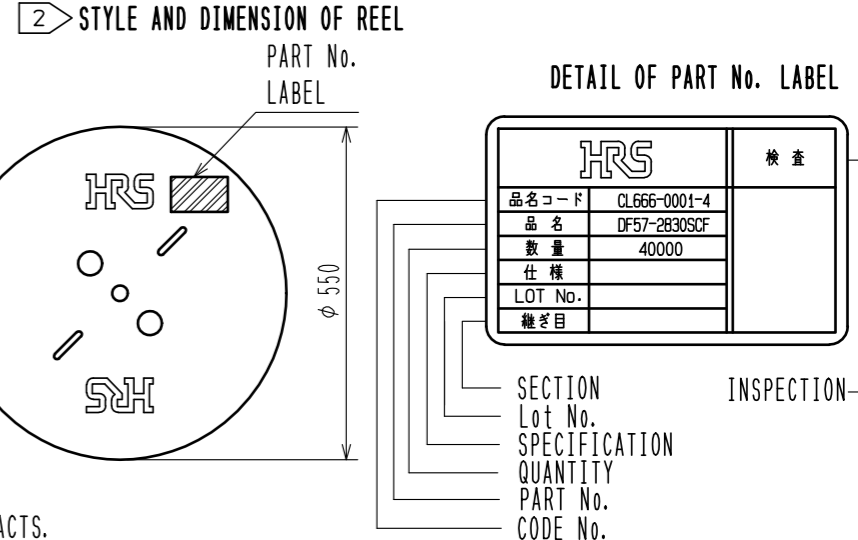
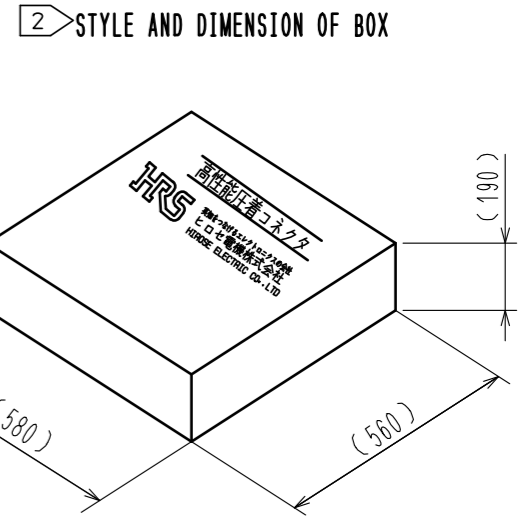
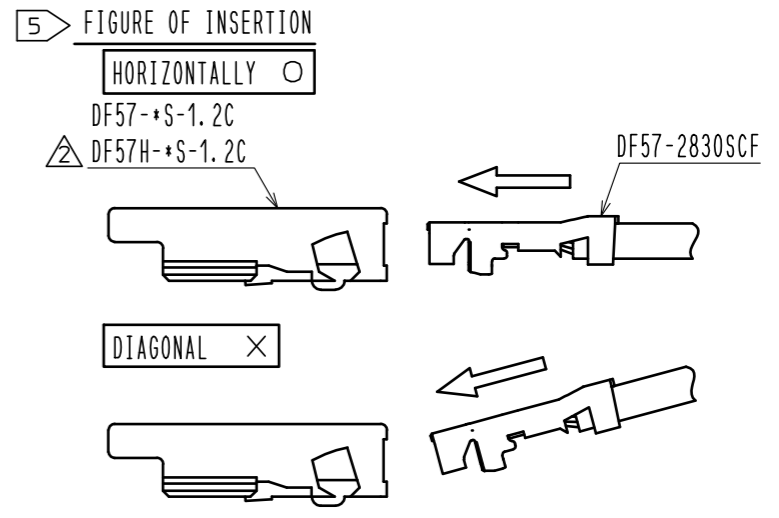
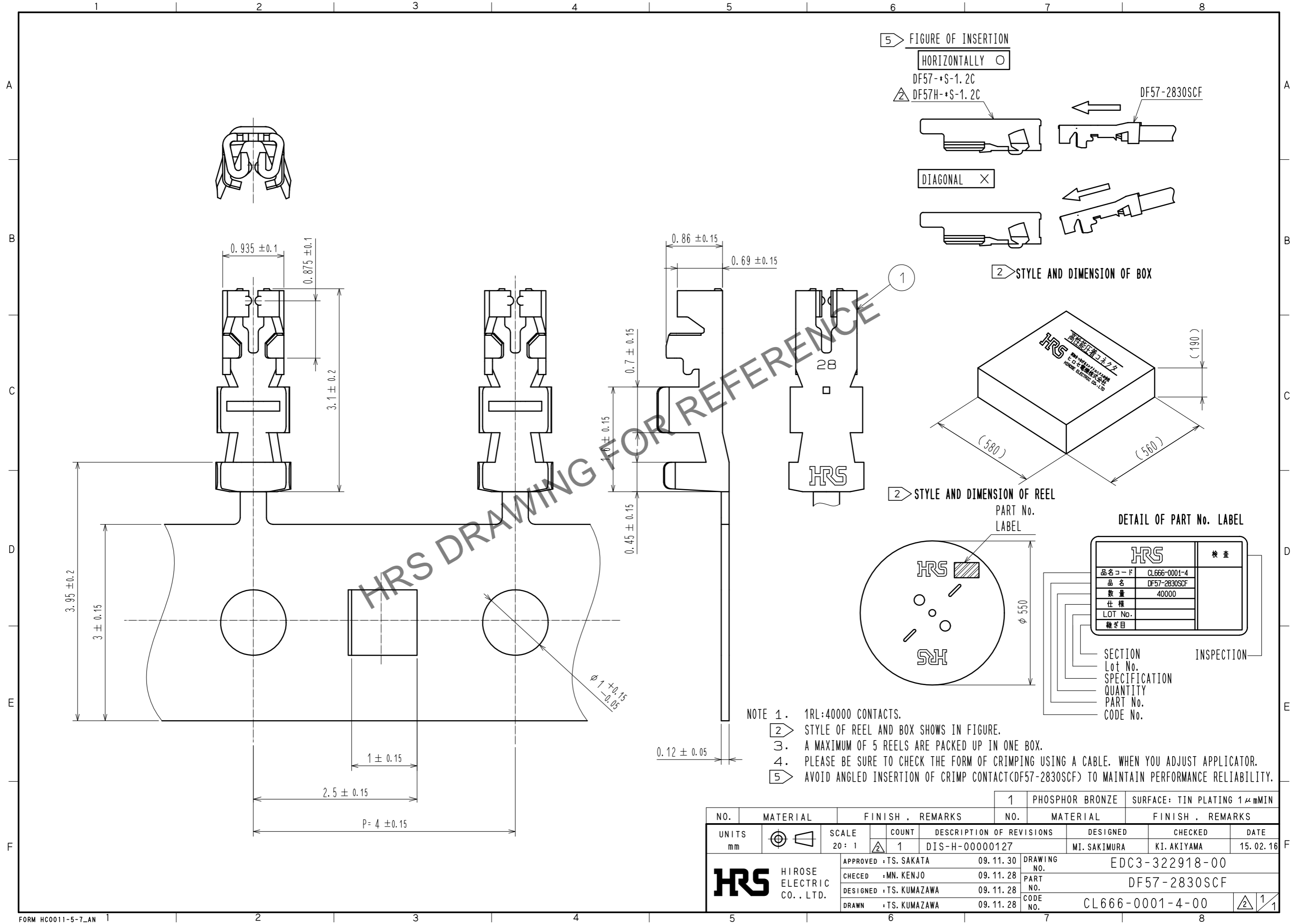


Jun.1.2024 Copyright 2024 HIROSE ELECTRIC CO., LTD. All Rights Reserved.
In case of consideration for using Automotive equipment / device which demand high reliability, kindly contact our sales window correspondents.



NOTE 1. 1RL:40000 CONTACTS.
 2 STYLE OF REEL AND BOX SHOWS IN FIGURE.
 3. A MAXIMUM OF 5 REELS ARE PACKED UP IN ONE BOX.
 4. PLEASE BE SURE TO CHECK THE FORM OF CRIMPING USING A CABLE. WHEN YOU ADJUST APPLICATOR.
 5 AVOID ANGLED INSERTION OF CRIMP CONTACT(DF57-2830SCF) TO MAINTAIN PERFORMANCE RELIABILITY.

| NO. | MATERIAL | FINISH | REMARKS | NO. | MATERIAL | FINISH | REMARKS |
|-------------------------|----------|----------|---------|-------------|-----------------|--------------------------|------------------------------|
| | | | | 1 | PHOSPHOR BRONZE | | SURFACE: TIN PLATING 1 μmMIN |
| UNITS | mm | SCALE | 20:1 | COUNT | 1 | DESCRIPTION OF REVISIONS | DESIGNED MI. SAKIMURA |
| | | | | | | | CHECKED KI. AKIYAMA |
| | | | | | | | DATE 15.02.16 |
| APPROVED : TS. SAKATA | | 09.11.30 | | DRAWING NO. | | EDC3-322918-00 | |
| CHECKED : MN. KENJO | | 09.11.28 | | PART NO. | | DF57-2830SCF | |
| DESIGNED : TS. KUMAZAWA | | 09.11.28 | | CODE NO. | | CL666-0001-4-00 | |
| DRAWN : TS. KUMAZAWA | | 09.11.28 | | | | | |