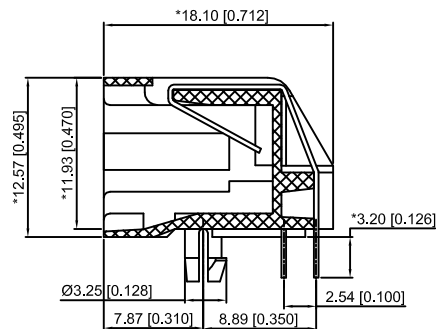
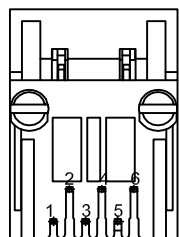


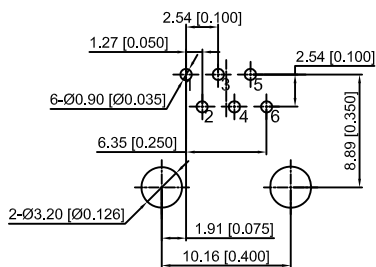
FRONT VIEW



RIGHT SIDE VIEW



BOTTOM VIEW



RECOMMENDED PCB LAYOUT
VIEWED FROM COMPONENT SIDE
XKB Connectivity

XKB Connectivity



XKB Connectivity

MATERIAL 材料:

HOUSING 外壳: PBT,UL94V-0,BLACK.

TERMINAL 端子: PHOSPHOR BRONZE C5210,T=0.35MM,
GOLD PLATING ON CONTACT AREA.

MECHANICAL 机械:

DURABILITY 耐用性: 750 CYCLES MIN.12.5MM/MINUTE

INSERTION FORCE 插入力: 2.2KG.F MAX

RETENTION STRENGTH 固位力:7.7KG.F BETWEEN JACK AND PLUG

OPERATING TEMPERATURE 工作温度: -40°C~+85°C.

STORAGE TEMPERATURE 储存温度: -40°C~+85°C.

ALL CRITICAL DIMENSIONS WITH ""

ELECTRICAL 电动:

VOLTAGE 电压:125 VOL TS AC

CURRENT RATING 额定电流:1.5AMP

DIELECTRIC STRENGTH 介电强度:1000 VAC RMS 50HZ OR 60HZ,1MIN

INSULATION RESISTANCE 绝缘电阻:500 MEGA OHMS MIN.INITIAL
AFTER 500V DC FOR1 MINUTE

CONTACT RESISTANCE 接触电阻:SINGLE TERMINAL 30 MILLIOHMS MAX
INITIAL 50 MILLIOHMS MAX.AFTER
DURABILITY TEST

					DSND		DATE		SCALE: N/A	MODEL TYPE: RJ JACK		
					DWN		DATE		VIEW:	PART NO.:		
					CHKD		DATE		UNIT: mm/in	DWG NO.:		
					APPD		DATE		SIZE: A4	X17AHIWA1DB1057		
					UNSPECIFIED TOLERANCES				XKB INDUSTRIAL PRECISION CO.,LIMITED	WEIGHT 1.0g	SHEET 1/1	REVISION A0
ΔX					ANGLAR		±5°					
ΔX					L ≤ 4		±0.2					
ΔX					4 < L ≤ 16		±0.3					
MARK	DESCRIPTION	DATE	REVISED	APPROVED	16 < L ≤ 63		±0.4					
					L > 63		±0.5					
REVISIONS												
www.xk-dg.cn www.helloxkb.com www.helloxkb.cn												