

P26-Series

P26-Series

PUSHBUTTON SWITCHES

The P26-Series pushbutton switches are single pole, AC rated for 6 amps at 125 VAC and suitable for shallow back panel applications. These switches are momentary action with a medium actuation force (13 oz. typical). The P26-Series switch is equipped with a slow-make, slow-break contact mechanism.



Product Highlights:

- ◆ 6A 125VAC, 3A 277VAC rated
- ◆ Momentary On or Momentary Off circuitry
- ◆ 4 bushing size combinations
- ◆ Round Metal, Concave Metal and Nylon Style Actuators

Typical Applications:

- ◆ Intercoms
- ◆ Security System
- ◆ Electronic Signs
- ◆ Marine
- ◆ Lighting



Dielectric Strength

UL/CSA: 1000V - live to dead metal parts

Mechanical Life

100,000 cycles

Electrical Life

25,000 cycles

Operating Temperature

32°F to 185°F (0°C to 85°C)

P26L - **1D** - **BL**

¹
Base Part Number

²
Bushing Style

³
Button Style/Color

1 BASE PART NUMBER: SERIES / POLES / CIRCUITRY / RATING / TERMINATION

| Single Pole | Solder Lug | .250 Tab | Wire Leads |
|---|--------------|--------------|--------------|
| 3A 250VAC, 6A 125 VAC, 3/4A 125V | | | |
| Off - (On) | P26A | P26B | P26F |
| On - (Off) | P26L | - | P26T |
| 3A 277VAC, 6A 125 VAC ¹ | | | |
| Off - (On) | P267A | P267B | P267F |
| On - (Off) | P267L | - | P267T |

2 BUSHING STYLE

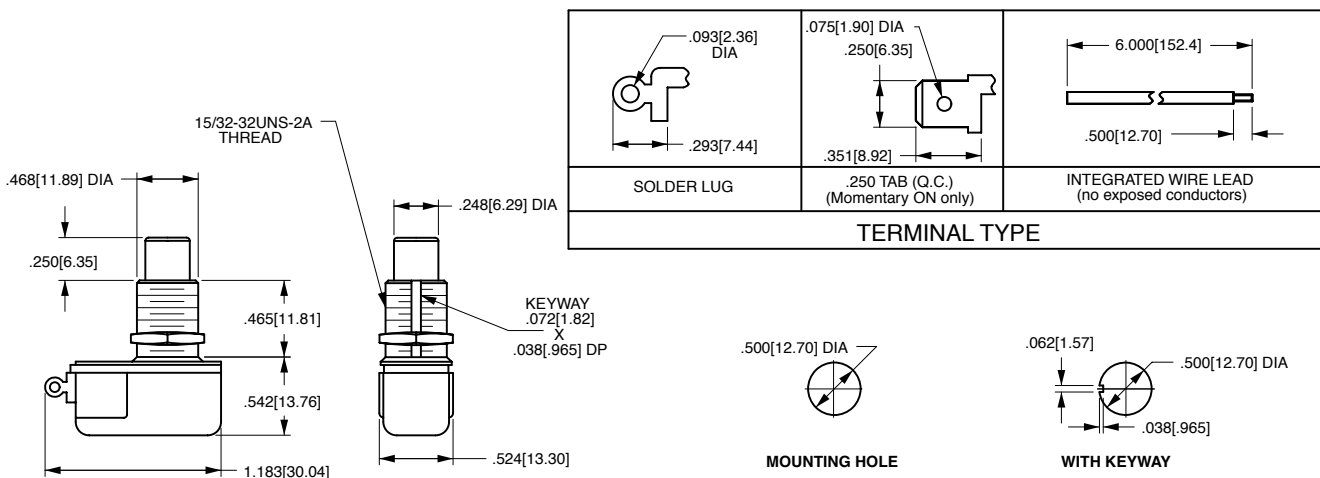
| | length | diameter |
|------------------------|--------|----------|
| 1A | .406 | .375 |
| 1B | .406 | .468 |
| 1C | .465 | .375 |
| 1D ³ | .465 | .468 |

3 BUTTON STYLE / COLOR

| | |
|-----------------------------|---------------|
| BL | Black Nylon |
| RD | Red Nylon |
| RND MTL ² | Round Metal |
| CON MTL ² | Concave Metal |

Notes:

- 1 Additional ratings available. Consult factory for details
- 2 Only available with 1D bushing in .562 length
- 3 Length is .562 for RND MTL and CON MTL buttons
- () Indicates momentary function.



*Manufacturer reserves the right to change product specification without prior notice.

Authorized Sales Representatives and Distributors

Click on a region of the map below to find your local representatives and distributors or visit www.carlingtech.com/findarep.



About Carling

Founded in 1920, Carling Technologies is a leading manufacturer of electrical and electronic switches and assemblies, circuit breakers, electronic controls, power distribution units, and multiplexed power distribution systems. With four ISO registered manufacturing facilities and technical sales offices worldwide, Carling Technologies Sales, Service and Engineering teams do much more than manufacture electrical components, they engineer powerful solutions! To learn more about Carling please visit www.carlingtech.com/company-profile.

To view all of Carling's environmental, quality, health & safety certifications please visit www.carlingtech.com/environmental-certifications

Worldwide Headquarters

Carling Technologies, Inc.
60 Johnson Avenue, Plainville, CT 06062
Phone: 860.793.9281 **Fax:** 860.793.9231
Email: sales@carlingtech.com

Northern Region Sales Office: nrsm@carlingtech.com
Southeast Region Sales Office: sersm@carlingtech.com
Midwest Region Sales Office: mrsrm@carlingtech.com
West Region Sales Office: wrsm@carlingtech.com
Latin America Sales Office: larsm@carlingtech.com

Asia-Pacific Headquarters

Carling Technologies, Asia-Pacific Ltd.,
Suite 1607, 16/F Tower 2, The Gateway,
Harbour City, 25 Canton Road,
Tsimshatsui, Kowloon, Hong Kong
Phone: Int + 852-2737-2277 **Fax:** Int + 852-2736-9332
Email: sales@carlingtech.com.hk

Shenzhen, China: shenzhen@carlingtech.com
Shanghai, China: shanghai@carlingtech.com
Pune, India: india@carlingtech.com
Kaohsiung, Taiwan: taiwan@carlingtech.com
Yokohama, Japan: japan@carlingtech.com

Europe | Middle East | Africa Headquarters

Carling Technologies LTD
4 Airport Business Park, Exeter Airport,
Clyst Honiton, Exeter, Devon, EX5 2UL, UK
Phone: Int + 44 1392.364422 **Fax:** Int + 44 1392.364477
Email: ltd.sales@carlingtech.com

Germany: gmbh@carlingtech.com
France: sas@carlingtech.com



Carling Technologies®

Innovative Designs. Powerful Solutions.

Mouser Electronics

Authorized Distributor

Click to View Pricing, Inventory, Delivery & Lifecycle Information:

Carling Technologies:

[PA951](#) [P26A-1D-RND-MTL](#) [PA351](#) [P26L-1D-RND-MTL](#) [P26A-1D-BL](#) [P26B-1D-CON MTL](#) [P26B-1D-RD](#) [P26F-1D-BL](#) [P26F-1D-RND MTL](#) [P26T-1D-RND MTL](#) [PA301](#) [PA304](#) [PA305](#) [PA341](#) [PA955](#) [PB301](#) [P267T-1A-B-XAB1](#)
[P26L-1B-BL](#) [P267T-1D-RD](#) [P267T-1D-BL](#) [P26F-1D-RD](#)