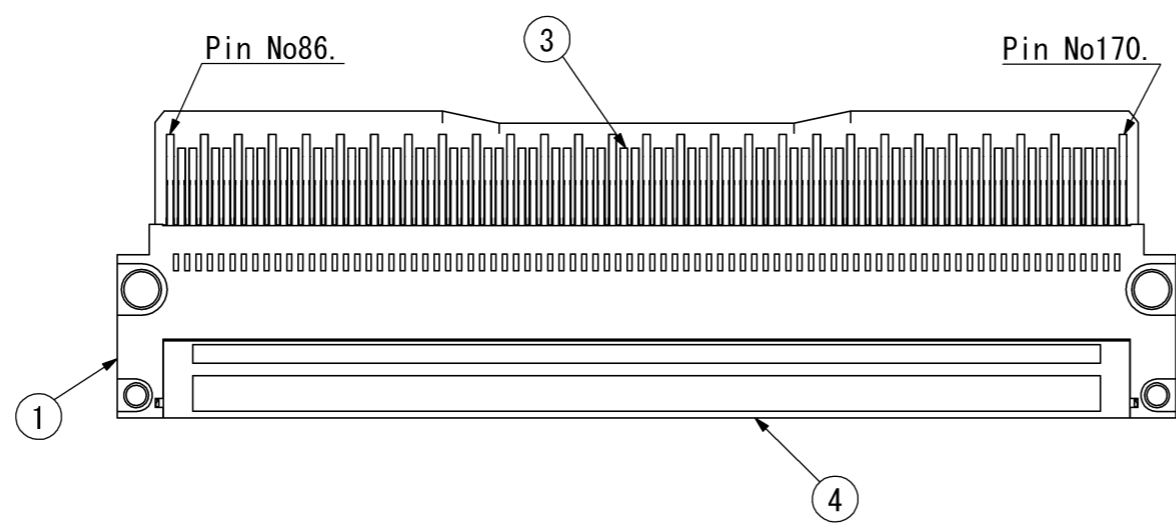
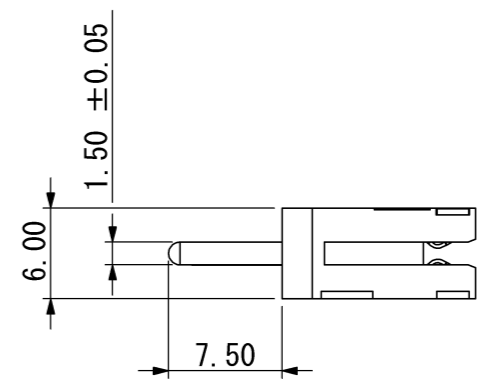
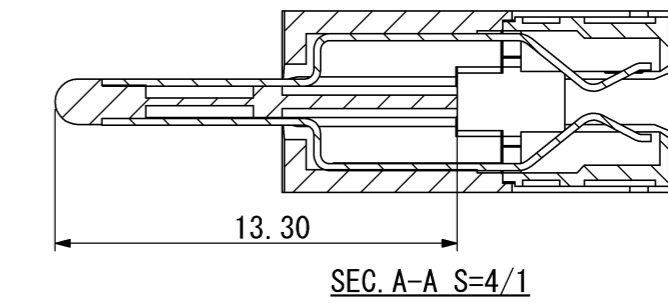
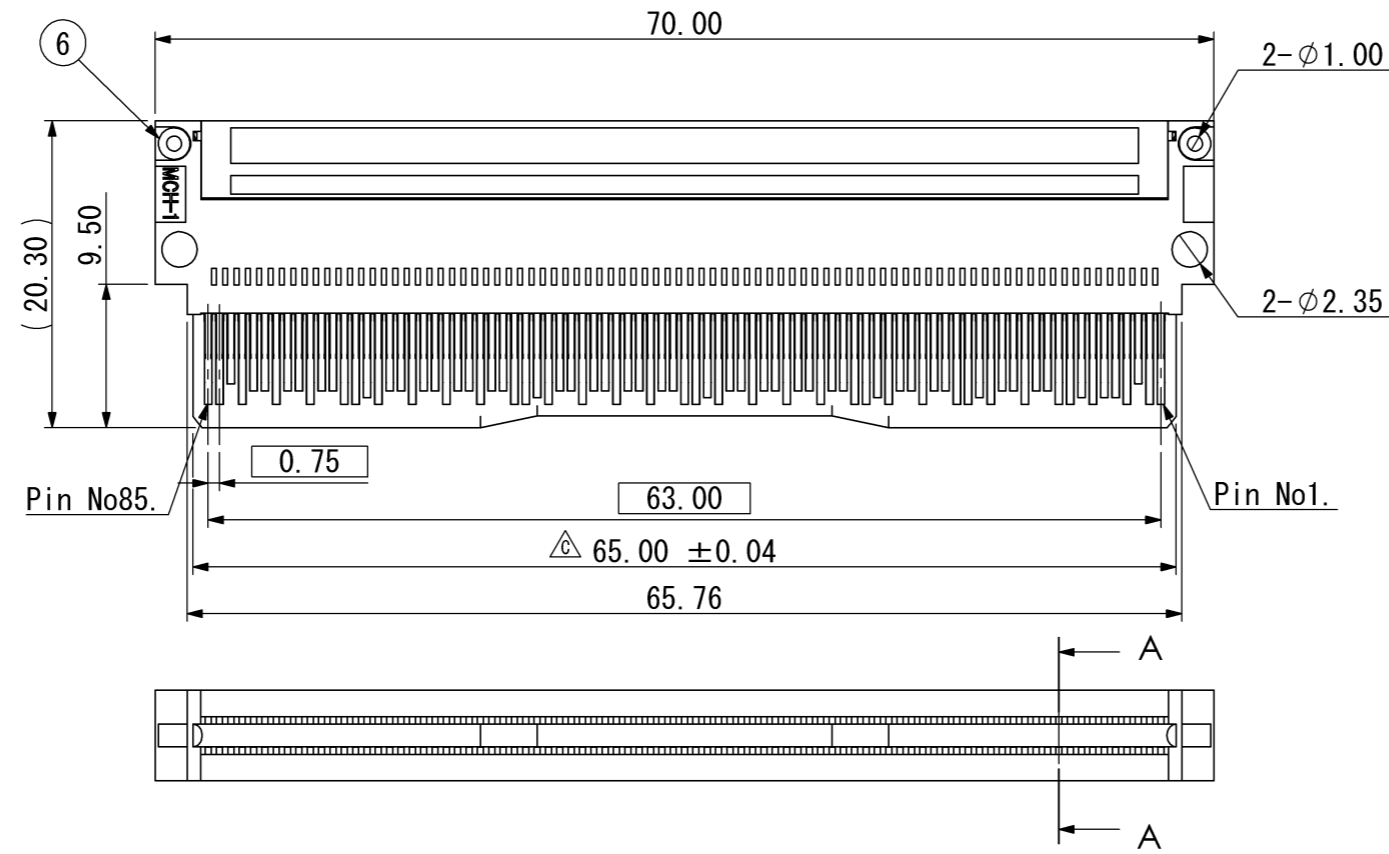


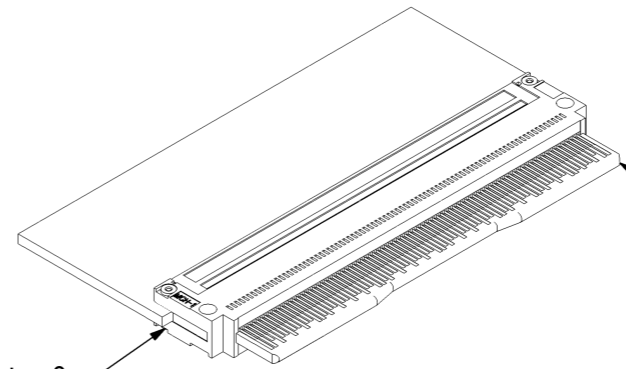
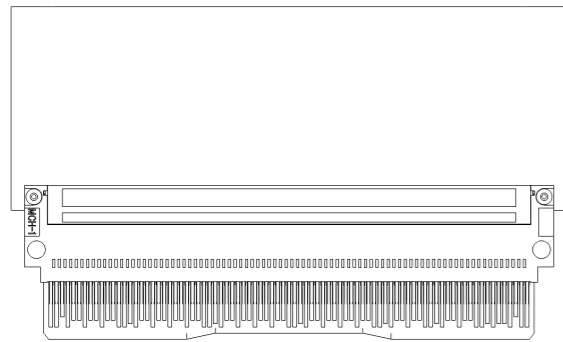
| 記号x数 | 変更内容 REVISION DESCRIPTION | 承認 | 検図 | 担当 | 年月日 | 変更通知書No. |
|---------|---------------------------------------|-------------|------------|-------------|----------|----------|
| △B x 10 | Change Shape, Add Dimension, Add Note | M. Igarashi | T. Kimoto | T. Murakami | 07/03/02 | M112426 |
| △C x 2 | Part change | T. Ito | S. Yoshida | M. Noguchi | 12/10/18 | M125393 |
| △D x | | | | | | |
| △E x | | | | | | |
| △F x | | | | | | |

MCH-1



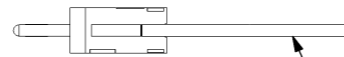
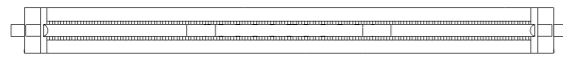
| | | | | | | | |
|--|------------------------------|----------------------------------|--------------------------------|----------------------------------|------------------------------|---|-------------------------|
| 指定外公差 ±0.3 Tolerances ±0.3 unless otherwise specified. ()寸法は参考値 ()Reference value. | | | | | | 山一電機株式会社 YAMAICHI ELECTRONICS Co.,Ltd. | |
| 分類 (CLASS) MCH Plug Connector | | | | | | 名称 (TITLE) CN084-170-1000-1000-0 | |
| 尺度 (SCALE) 2 / 1 単位 (DIMENSION) mm 三角図法 (3RD. ANGLE PROJECTION) | 承認 (APP) 06/06/27 M. Ooya | 承認 (APP) 06/06/27 M. Igarashi | 検図 (CHK) 06/06/27 T. Kimoto | 製図 (DRW) 06/06/27 T. Murakami | 設計 (DSGN) 06/06/27 T. Ito | 図番 (DRW. NO.) A105361-001 | Sheet No. 1/2 REV. C |

Assembly Condition



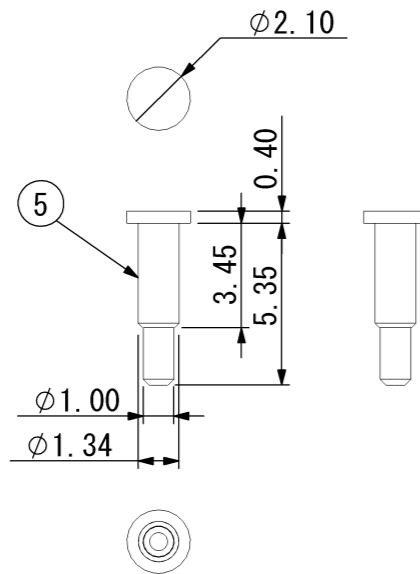
MCH-1
CN084A-170-1000-1000-1 Note. 2

Shaft A-2
CN084A-08ME-2 Note. 3



MCH-1a PCB t=1.60
Note. 4

Plug Shaft A-2 : CN084A-08ME-2
Dimension (Bundled) S=4/1



| | | | | |
|--------------|-----------------------------|------------|-------------------|-------------------|
| 6 | Plug Bush A (MCH-1) | 2 | SUS | --- |
| 5 | Plug Shaft A-2 | 2 | SUS | (Attached Note.3) |
| 4 | Locator (MCH-1) | 2 | LCP (UL94V-0) | Black |
| 3 | Contact (MCH-1 SIG) | 112 | BeCu t=0.23 | Ni-Au |
| 2 | Contact (MCH-1 GND) | 58 | BeCu t=0.23 | Ni-Au |
| 1 | Housing (MCH-1 Single Type) | 1 | LCP (UL94V-0) | Black |
| 部品番号 ITEM | 部品名 DESCRIPTION | 個数 QNT. | 材質・寸度 MATERIAL | 記事 CONTENT |

Note

- Plating specification on the PCB pads
MCH PCB : Au 0.30 μm MIN. over Ni 1.27 μm MIN.
- Parts number for the MCH-1
CN084A-170-1000-1000-1 (A106147-001)
- Parts number for the Plug Shaft A-2
CN084A-08ME-2 (A105377-001)
- Refer to Single module PCB(CN084B-170-01PB, A106528-001)
and Double module PCB(CN084B-170-02PB, A106301-001)
for the recommended module board dimensions.
Also, please contact Yamaichi separately when the module
board dimensions are different from CN084B-170-01PB and
CN084B-170-02PB.

| | | | | | | | | |
|---|--|--|--|--|--|--|--|--|
| 指定外公差 ±0.3 Tolerances ±0.3 unless otherwise specified. ()寸法は参考値 ()Reference value. | | | | | | 山一電機株式会社 YAMAICHI ELECTRONICS Co.,Ltd. | | |
| 尺度 1 / 1 承認 APP. 06/06/27 06/06/27 06/06/27 06/06/27 06/06/27 承認 APP. 06/06/27 06/06/27 06/06/27 06/06/27 06/06/27 検図 CHK. 06/06/27 06/06/27 06/06/27 06/06/27 06/06/27 製図 DRW. 06/06/27 06/06/27 06/06/27 06/06/27 06/06/27 設計 DSGN. 06/06/27 06/06/27 06/06/27 06/06/27 06/06/27 | | | | | | 分類 (CLASS) MCH Plug Connector 名称 (TITLE) CN084-170-1000-1000-0 図番 (DRW. NO.) A105361-001 | | |
| 単位 DIMENSION mm 三角図法 3RD. ANGLE PROJECTION M. Ooya M. Igarashi T. Kimoto T. Murakami T. Ito | | | | | | Sheet No. 2/ REV. C A3-A2-SW004 | | |

Mouser Electronics

Authorized Distributor

Click to View Pricing, Inventory, Delivery & Lifecycle Information:

[Yamaichi Electronics:](#)

[CN084-170-1000-1000-0](#)