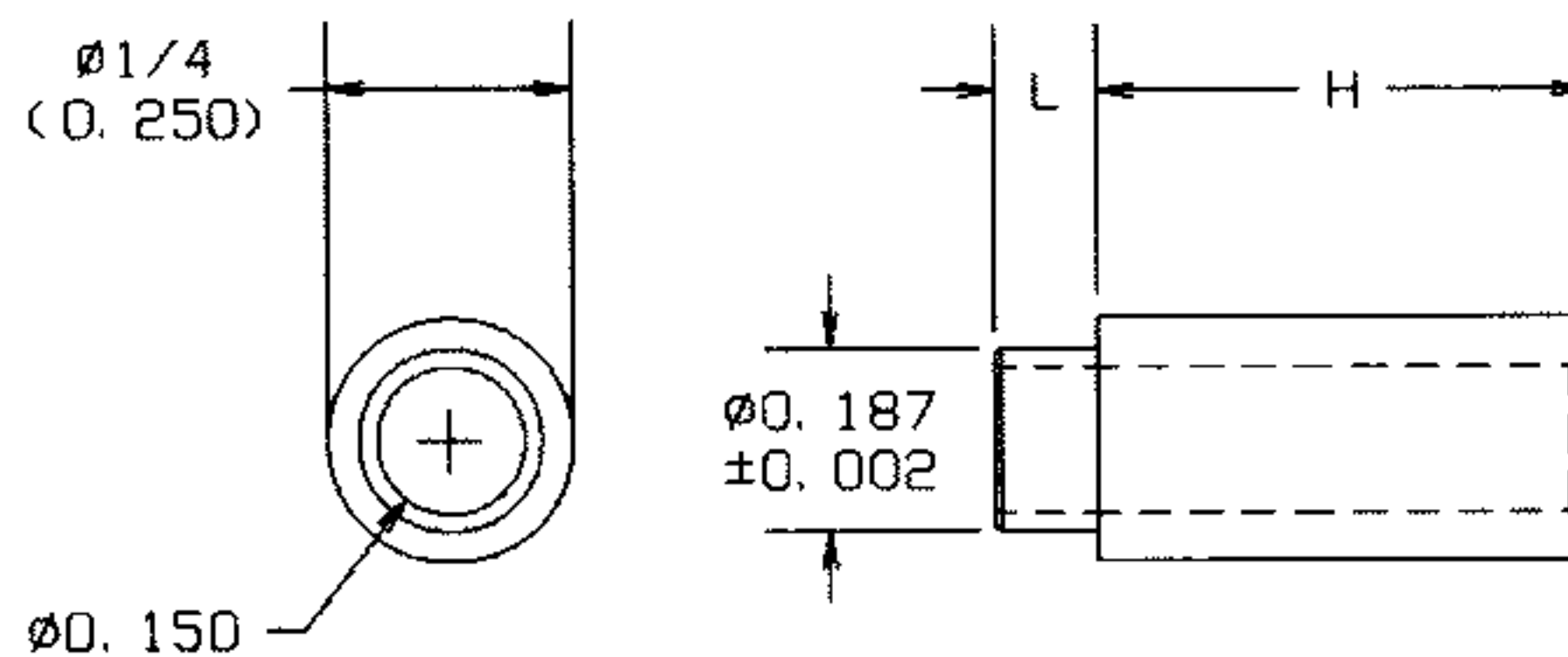


STANDOFFS, THRUHOLE, ROUND

STANDOFFS
THRUHOLE, ROUND

17-9XXX-02
17A-9XXX-XX
BASIC PART NO. FINISH

BRASS PER ASTM B16
ALUMINUM PER ASTM B211



BOARD THICKNESS	H	L	BRASS	ALUMINUM
1/32	.125	.075	547-9608	647A-9608
1/32	.188	.075	547-9622	647A-9622
1/32	.250	.075	547-9629	647A-9629
1/32	.375	.075	547-9643	647A-9643
1/32	.500	.075	547-9657	647A-9657
1/32	.625	.075	547-9671	647A-9671
1/32	.750	.075	547-9685	647A-9685
1/32	1.000	.075	547-9713	647A-9713
1/16	.125	.105	547-9609	647A-9609
1/16	.188	.105	547-9623	647A-9623
1/16	.250	.105	547-9630	647A-9630
1/16	.375	.105	547-9644	647A-9644
1/16	.500	.105	547-9658	647A-9658
1/16	.625	.105	547-9672	647A-9672
1/16	.750	.105	547-9686	647A-9686
1/16	1.000	.105	547-9714	647A-9714
3/32	.125	.135	547-9610	647A-9610
3/32	.188	.135	547-9624	647A-9624
3/32	.250	.135	547-9631	647A-9631
3/32	.375	.135	547-9645	647A-9645
3/32	.500	.135	547-9659	647A-9659
3/32	.625	.135	547-9673	647A-9673
3/32	.750	.135	547-9687	647A-9687
3/32	1.000	.135	547-9715	647A-9715

BOARD THICKNESS	H	L	BRASS	ALUMINUM
1/8	.125	.165	547-9611	647A-9611
1/8	.188	.165	547-9625	647A-9625
1/8	.250	.165	547-9632	647A-9632
1/8	.375	.165	547-9646	647A-9646
1/8	.500	.165	547-9660	647A-9660
1/8	.625	.165	547-9674	647A-9674
1/8	.750	.165	547-9688	647A-9688
1/8	1.000	.165	547-9716	647A-9716
3/16	.125	.230	547-9613	647A-9613
3/16	.188	.230	547-9627	647A-9627
3/16	.250	.230	547-9634	647A-9634
3/16	.375	.230	547-9648	647A-9648
3/16	.500	.230	547-9662	647A-9662
3/16	.625	.230	547-9676	647A-9676
3/16	.750	.230	547-9690	647A-9690
3/16	1.000	.230	547-9718	647A-9718
1/4	.125	.290	547-9614	647A-9614
1/4	.188	.290	547-9628	647A-9628
1/4	.250	.290	547-9635	647A-9635
1/4	.375	.290	547-9649	647A-9649
1/4	.500	.290	547-9663	647A-9663
1/4	.625	.290	547-9677	647A-9677
1/4	.750	.290	547-9691	647A-9691
1/4	1.000	.290	547-9719	647A-9719

H	ANVIL	PUNCH
.125		
.188	TA250-125	TP187-150
.250		
.375	TA250-250	TP187-150
.500		
.625	TA250-500	TP187-150
.750		
1.000	TA250-750	TP187-150

• FOR BRASS PARTS, ADD -02 SUFFIX TO PART NUMBER
FOR STANDARD NICKEL FINISH
• FOR ALUMINUM PARTS, ADD -17 SUFFIX TO PART NUMBER
FOR STANDARD NON-CHROMATE CLEAR PROTECTIVE COATING OR
-16 FOR YELLOW IRRIDITE FINISH.

SAME DAY SHIPMENTS FROM STOCK

FOR ADDITIONAL SIZES AND MATERIALS, CONTACT FACTORY

