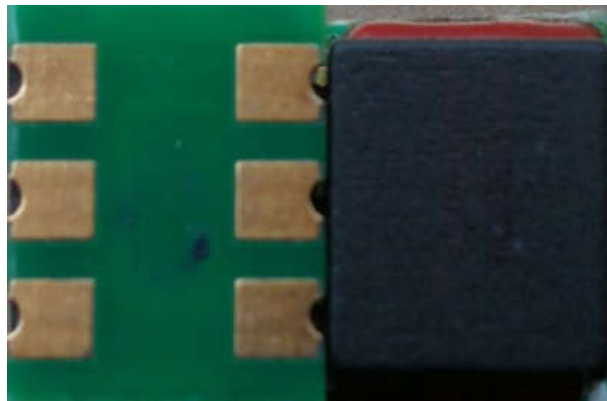
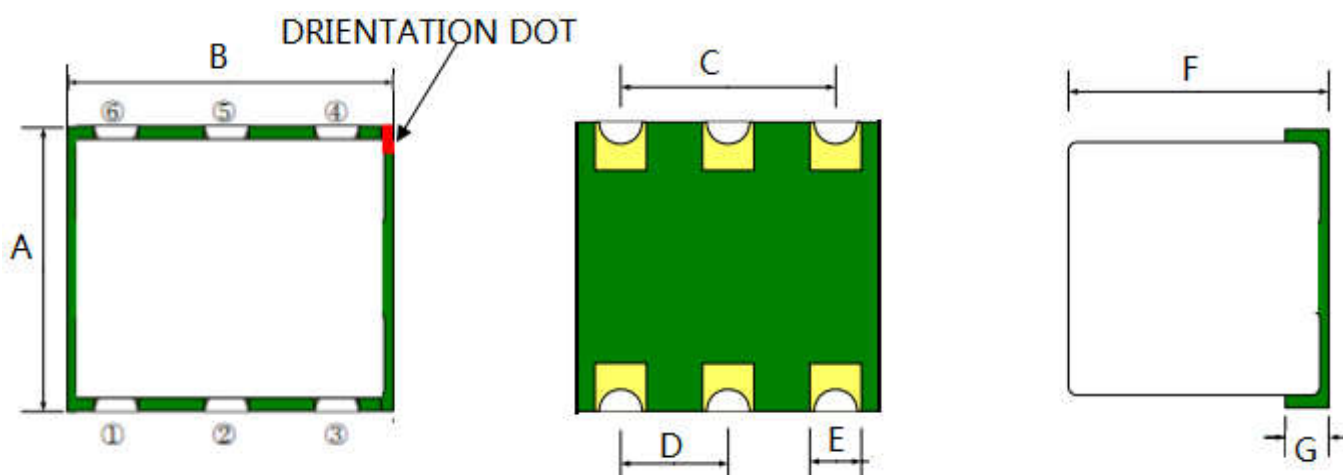


RF Balun Transformer, 1: 4CT Flux Coupled Transformer
Features:

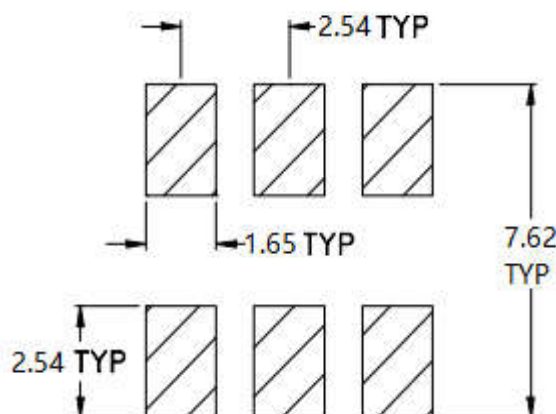
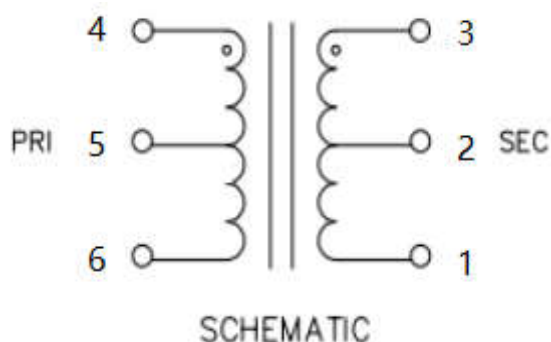
- ◆ 50Ω Impedance
- ◆ Equivalent to: ADTT4-1
- ◆ Frequency: 0.3 to 125 MHz
- ◆ RF power: 0.50W
- ◆ DC current: 30mA
- ◆ Operating temperature range: -20°C to +85°C
- ◆ Storage temperature range: -55°C to +100°C


Applications:

- ◆ For impedance matching
- ◆ For balanced amplifier

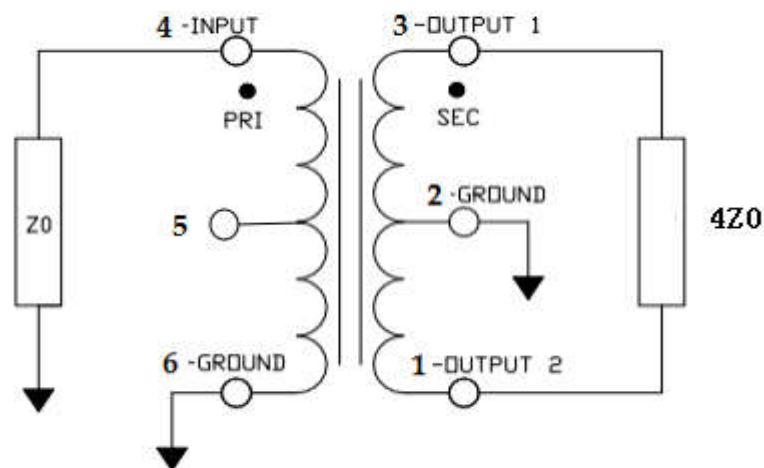
Dimension Diagram (Unit:mm) :


A:7.2±0.2 B:9.0±0.2 C:5.1±0.1 D:2.6±0.1 E:1.6±0.1 F:5.5±0.2 G:0.6±0.1

Electrical structure:
Recommended layout:


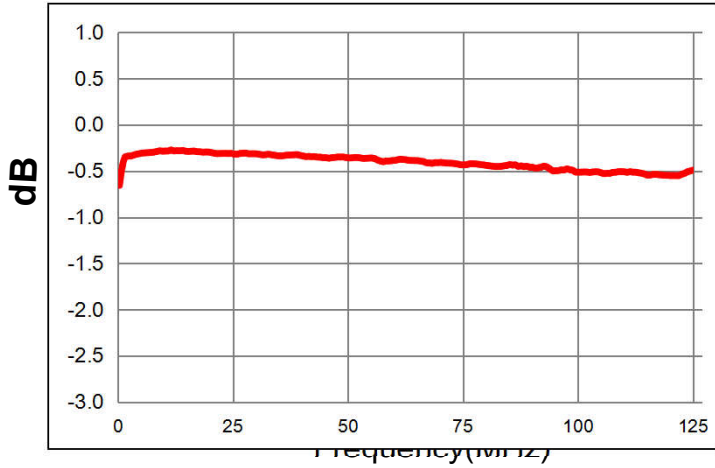
Pin configuration

Pin no.	Function
1	Secondary (Output 2)
2	Centre tap (Ground)
3	Secondary dot (Output 1)
4	Primary dot (Input)
6	Primary (Ground)

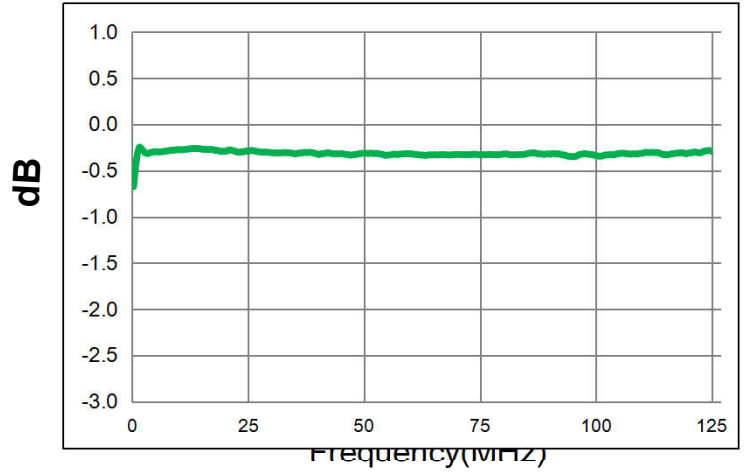
Application circuit :

Electrical Specifications: $T_A = 25^\circ\text{C}$ $Z_0 = 50\Omega$

Parameter	Test Conditions	Units	Min	Typ	Max
Main line Loss(out1)	0.3-125MHz	dB	—	0.5	1.0
Main line Loss(out2)	0.3-125MHz	dB	—	0.3	1.0
Amplitude Balance	0.3-125MHz	dB	—	0.2	± 0.5
Phase Balance	0.3-125MHz	Degrees	—	0.1	± 5.0
Input Return Loss	0.3-125MHz	dB	10.0	28.0	—

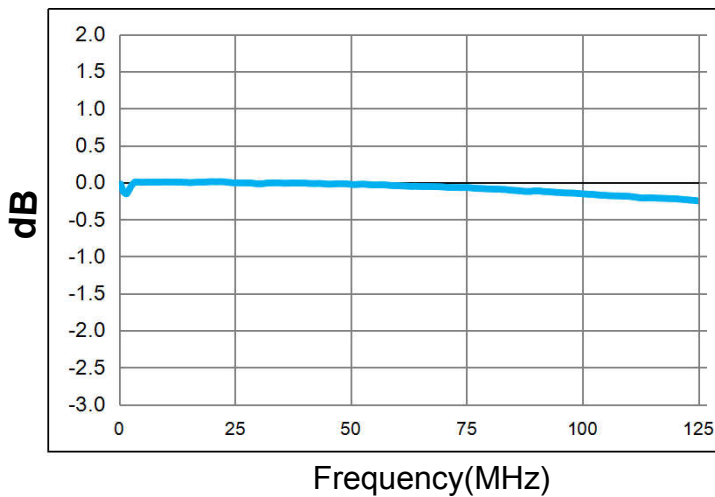
Main line Loss(out1)



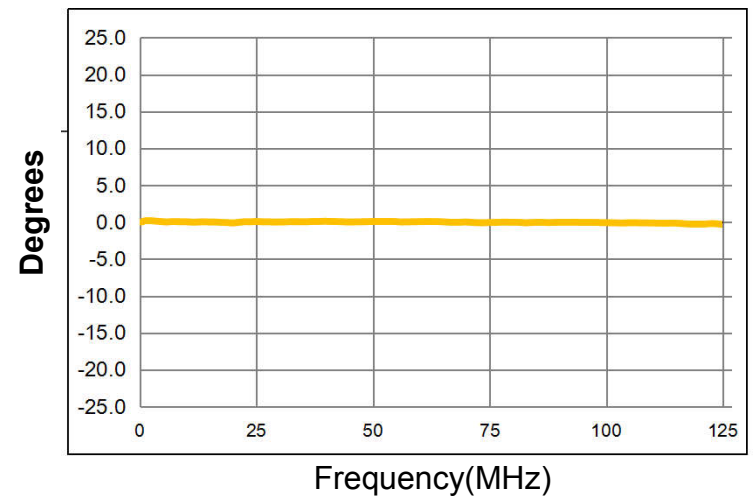
Main line Loss(out2)



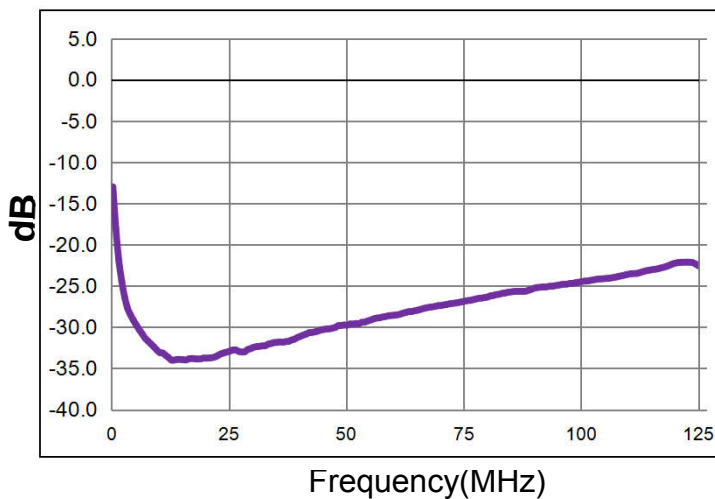
Amplitude Balance

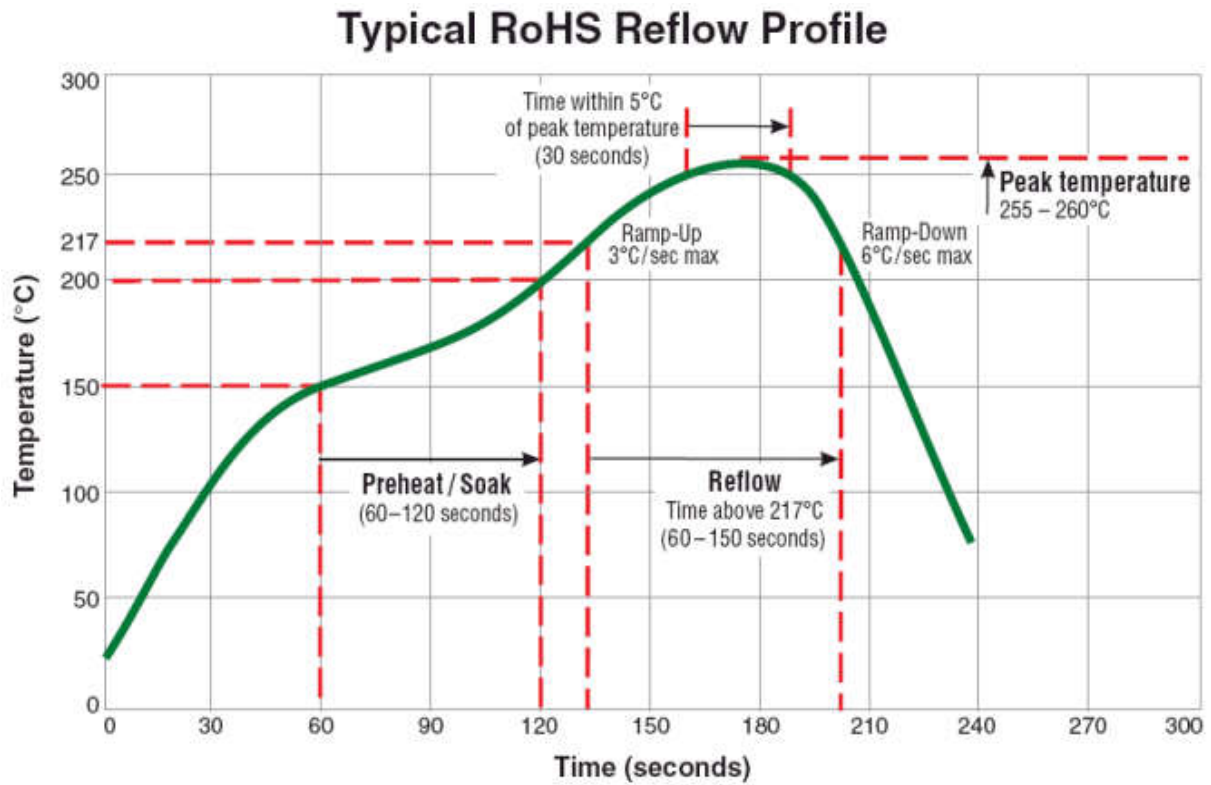
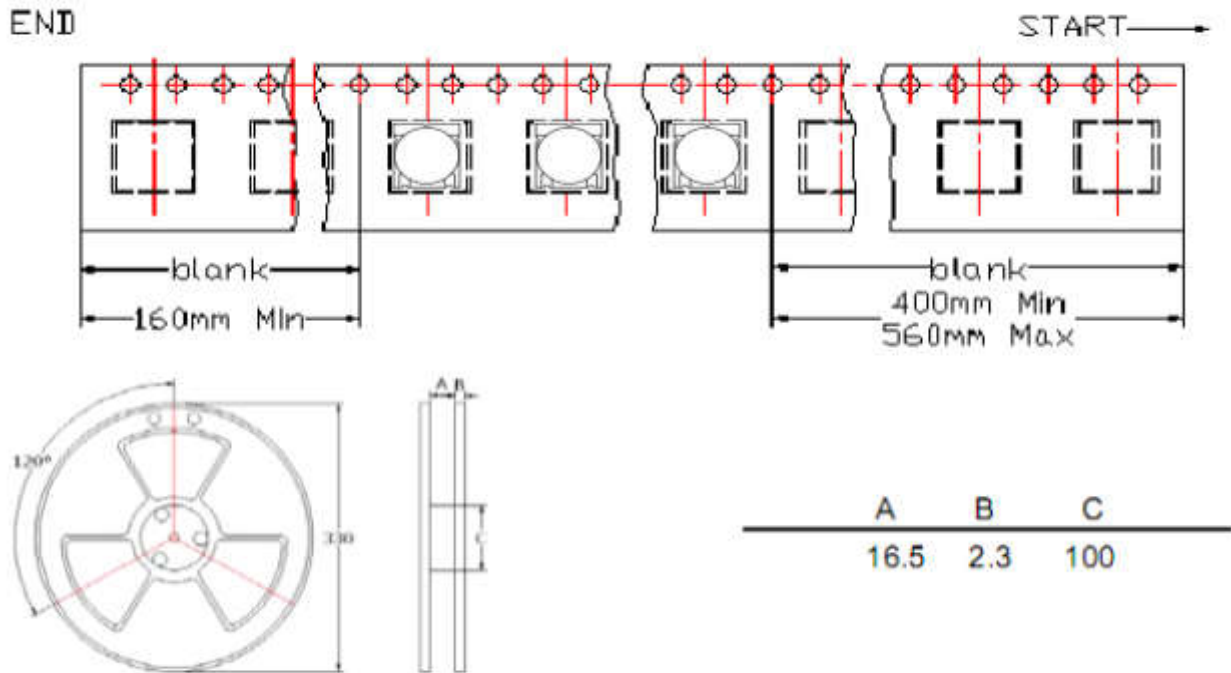


Phase Balance



Input Return Loss



Recommended Soldering Temperature Graph:

Packging Dimension For Caeier Tape(UNIT:mm):

QUANTITY

1000 PCS/Reel

3Reels/Middle Carton

5 Middle Cartons/Big Carton/12000pcs