

FOR REFERENCE ONLY

**B** NX201002R-XX

SPECIFICATIONS:

AC RATING: 10 AMPS @115VAC (RESISTIVE LOAD)  
 5 AMPS @115VAC (INDUCTIVE LOAD)  
 3 AMPS @115VAC (LAMP LOAD)

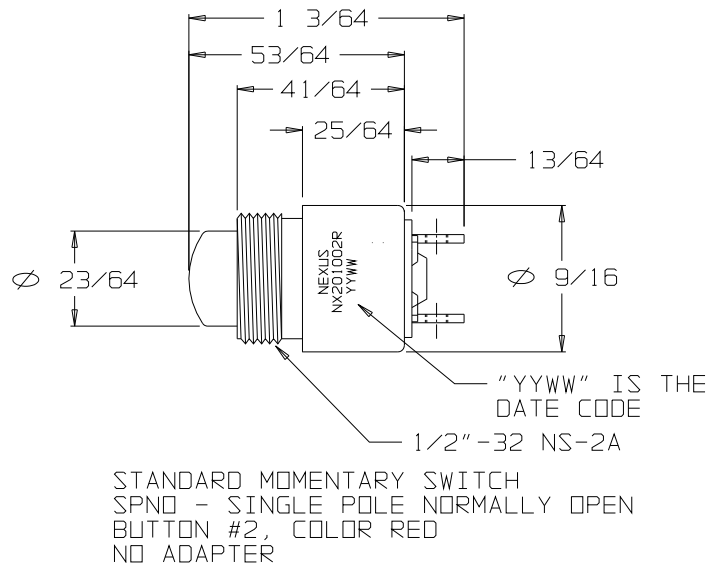
DC RATING: 10 AMPS @28VDC (RESISTIVE LOAD)  
 5 AMPS @28VDC (INDUCTIVE LOAD)  
 3 AMPS @28VDC (LAMP LOAD)

MECHANICAL LIFE: 500,000 CYCLES  
 ACTION: MOMENTARY SNAP

OPERATING FORCE:  
 SERIES 20 & 30: 3 TO 5 POUNDS MOMENTARY  
 1/2 TO 2 POUNDS PUSH-PULL  
 SERIES 22 & 32: 2 TO 3 POUNDS MOMENTARY

WEIGHT: .050 POUNDS MAXIMUM  
 CASE: ALUMINUM ALLOY 2011-T3,  
 "EU" (ROHS COMPLIANT)  
 CLEAR ANODIZED IAW MIL-A-8625  
 GLASS FILLED NYLON

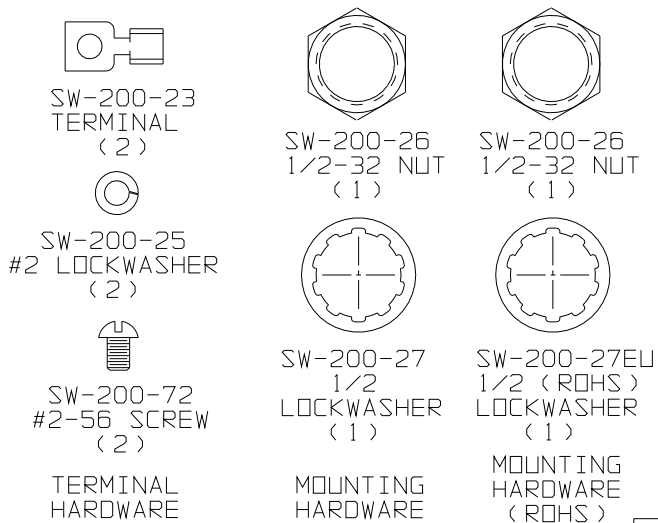
PLUNGER: GLASS FILLED NYLON  
 BODY: DIALLYL PHTHALATE IAW MIL-M-14  
 TERMINALS: THREADED #2-56 NC-2B



ORDERING INFORMATION:

NX201002R-00 SWITCH ONLY  
 NX201002R-30 SWITCH, MOUNTING HARDWARE  
 NX201002R-31 SWITCH, MOUNTING HARDWARE, TERNIMAL HARDWARE  
 NX201002R-00EU SWITCH (ROHS) ONLY  
 NX201002R-30EU SWITCH (ROHS), MOUNTING HARDWARE (ROHS)  
 NX201002R-31EU SWITCH (ROHS), MOUNTING HARDWARE (ROHS), TERNIMAL HARDWARE

THIS DOCUMENT CONTAINS PROPRIETARY INFORMATION OF NEXUS, INCORPORATED AND SUCH INFORMATION MAY NOT BE DISCLOSED TO OTHERS FOR ANY PURPOSE OR USED FOR ANY PURPOSE WITHOUT THE WRITTEN CONSENT OF NEXUS.



A	INITIAL RELEASE		1/14/09	EWT
LET.	REVISION	CN #	DATE	CHK.

DWN. BY	EWT	DATE	1/14/09	MATERIAL	N/A
CHECKED BY		DATE		FINISH	N/A
APPR. BY		DATE		WEIGHT	SCALE N/A
UNLESS OTHERWISE SPECIFIED DIMENSIONS ARE IN INCHES TOLERANCES ON				TITLE	
.XX .XXX ANGLES				SWITCH SPNO MOMENTARY	
±.003 ±.5°				DO NOT SCALE DWG. SHEET 1 OF 1	
				SIZE	DWG. NO.
				B	NX201002R-XX

**NEXUS**  
 STAMFORD, CONN

# Mouser Electronics

Authorized Distributor

Click to View Pricing, Inventory, Delivery & Lifecycle Information:

[Amphenol:](#)

[NX201002R-31](#) [NX201002R-00](#) [NX201002R-30](#) [NX201002R](#)